

**Series 2, Built-In Microwave Oven,  
59 x 38 cm, Black  
BEL653MB3A**



HEZG9AS00S Adapter

**The built-in microwave that fits into a 38 cm niche: use it for extra fast thawing, heating and perfect preparation of foods.**

- **AutoPilot 8:** every dish is a perfect success thanks to 8 pre-set automatic programmes.
- **QuickStart:** heat up your food with just a touch of one button.
- **Cleaning Assistance:** less cleaning effort thanks to the new cleaning option, which can be especially used for cleaning of light soiling.
- **LED lighting:** perfect illumination of foods with minimum energy consumption.
- **Red LED display control:** easy-to-use thanks to the time functions.

Additional function: ..... Microwave only  
 Color / Material Front: ..... Black  
 Built-in / Free-standing: ..... Built-in  
 Door opening: ..... Button  
 Colour.Material door: ..... Black  
 Cleaning : .....Hydrolytic  
 Control Panel Material: ..... Plastic  
 Dimensions (HxWxD): ..... 382 x 595 x 375 mm  
 Dimensions of the packed product (HxWxD): ..... 445 x 441 x 680 mm  
 Min. required niche size for installation (HxWxD): 380-382 x 560-568 x 550 mm  
 Cavity dimensions: ..... 205.0 x 310 x 334.0 mm  
 Cavity capacity: .....25 l  
 Max. microwave power level: ..... 800 W  
 Number of interior lights: ..... 1  
 Net weight: ..... 13.6 kg  
 Gross weight: ..... 16.6 kg  
 EAN code: .....4242005319954  
 Connection rating: ..... 1270 W  
 Fuse protection: .....10 A  
 Voltage: ..... 220-230 V  
 Frequency: ..... 50 Hz  
 Length electrical supply cord: ..... 130.0 cm



## **Series 2, Built-In Microwave Oven, 59 x 38 cm, Black BEL653MB3A**

**The built-in microwave that fits into a 38 cm niche: use it for extra fast thawing, heating and perfect preparation of foods.**

### **Microwave and heating methods**

- Max. Power: 800 W; 5 Microwave power settings: 90 W, 180 W, 360 W, 600 W, 800 W
- Grill 1 KW
- Grill and microwave power levels 90 W, 180 W, 360 W combinable
- Microwave and grill can be used separately and in combination
- Cavity volume: 25 l

### **Design**

- lacquered grey cavity

### **Cleaning**

- Cleaning Assistance (HydroClean program)

### **Convenience**

- LED-display control
- Electronic clock/timer with end time programming
- Rotary control knobs
- User-friendly electronics: extremely easy and comfortable operation
- AutoPilot, 8 automatic programs
- 4 defrost and 3 cooking programmes in microwave function
- Favourite button for individual settings (1 setting)
- Quick Start button: one tap to maximum microwave power for 30 seconds
- LED light
- 29 cm Glass turntable
- Left hinged door
- Open door button

### **Safety and Environment**

- Child lock, Automatic safety switch off function, Door contact switch
- Integrated cooling fan

### **Technical Info**

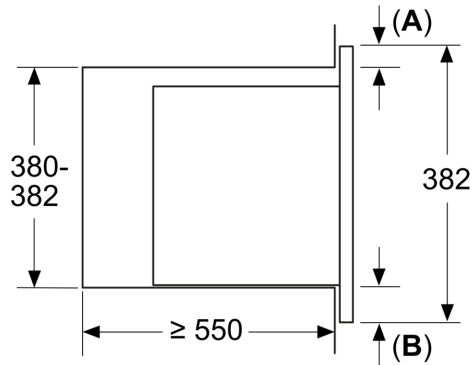
- Length of mains cable: 130 cm
- Total connected load electric: 1.27 KW
- Nominal voltage: 220 - 230 V
- Appliance: 382 x 595 x 375 mm

### **Dimensions**

- Appliance dimensions (HxWxD): 382 mm x 595 mm x 375 mm
- Installation dimensions (HxWxD): 380 mm - 382 mm x 560 mm - 568 mm x 550 mm
- Please reference the built-in dimensions provided in the installation drawing

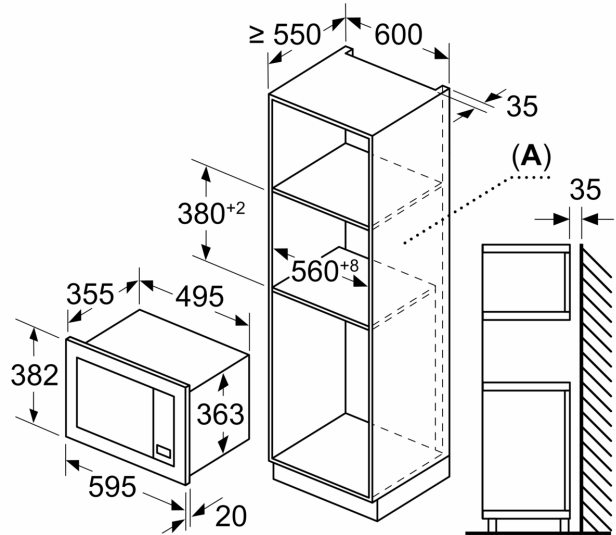
**Series 2, Built-In Microwave Oven,  
59 x 38 cm, Black  
BEL653MB3A**

measurements in mm  
Installation of a 25 l microwave in a  
high cupboard



**A:** Overhang at top: 1 mm  
**B:** Overhang at bottom: 1 mm

measurements in mm



**A:** Back panel open