

Operating instructions Heat pump tumble dryer



It is **essential** to read these operating instructions before installing and using the appliance. This prevents both personal injury and damage to the appliance.

Contents

Caring for the environment	5
Warnings and safety instructions	6
Operating the tumble dryer	18
Control panel	18
How the control panel works	19
Before using for the first time	21
Downtime after installation	21
Energy saving tips	22
1. Notes on correct laundry care	23
Points to note regarding washed laundry	23
Preparing the laundry before drying	23
Drying	24
Care label symbols	24
Selecting the correct drying level	24
2. Loading the tumble dryer	25
Loading the laundry	25
3. Selecting a programme and starting it	26
Selecting a programme	26
Selecting a drying level with a drying programme	26
Selecting timed drying programmes and other programmes	27
Selecting Gentle tumble	27
Selecting Delay start	28
4. Removing the laundry at the end of the programme	30
End of programme/Anti-crease	30
Removing the laundry	30
Programme chart	31
Changing the programme sequence	34
Changing a programme after it has started	34
Adding or removing laundry	34
Condensed water container	35
Emptying the condensed water container	35

Fragrance flacon	36
FragranceDos	36
Removing the protective seal from the fragrance flacon.....	36
Inserting the fragrance flacon.....	37
Opening the fragrance flacon	38
Closing the fragrance flacon	38
Removing/replacing the fragrance flacon	39
Cleaning and care	40
Fluff filters.....	40
Removing the fragrance flacon	40
Removing visible fluff	40
Cleaning the fluff filters and air flow openings thoroughly	41
Cleaning the fluff filters with water	42
Cleaning the plinth filter.....	43
Removing the plinth filter	43
Cleaning the plinth filter.....	44
Cleaning the plinth filter flap.....	45
Cleaning the dryer	45
Problem solving guide	46
Indicator lights or information in the time display	46
Unsatisfactory drying results.....	49
The drying process takes a long time.	50
Other problems	51
Replacing the plinth filter.....	52
Regenerating the plinth filter	54
Checking the heat exchanger.....	54
Service	55
Contact in case of fault	55
Optional accessories.....	55
Warranty	55

Contents

Installation	56
Front view	56
Rear view.....	57
Transporting the tumble dryer	57
Transporting the tumble dryer to its installation site	57
Installation	58
Levelling the dryer	58
Downtime after installation.....	59
Ventilation.....	60
Before moving the tumble dryer again (e.g. when moving house).....	60
Additional installation requirements	61
Externally draining condensed water	62
Installation conditions requiring a non-return valve	62
Arranging the drain hose	63
Examples.....	63
Electrical connection	65
Technical data	66
Consumption data	67
Programmable functions	68
Programming	68
<i>P01</i> Cottons drying levels.....	70
<i>P02</i> Minimum iron drying levels.....	70
<i>P04</i> Cooling temperature	70
<i>P06</i> Keypad tone	70
<i>P07</i> PIN Code	71
<i>P08</i> Conductivity	71
<i>P11</i> Control panel standby status	72
<i>P13</i> Memory.....	72
<i>P14</i> Anti-crease	72
<i>P20</i> Airways indicator.....	73
<i>P22</i> Backlight brightness dimmed.....	73

Disposal of the packing material

The transport and protective packaging has been selected from materials which are environmentally friendly for disposal, and can normally be recycled.

Recycling the packaging reduces the use of raw materials in the manufacturing process and also reduces the amount of waste in landfill sites. Ensure that any plastic wrappings, bags etc. are disposed of safely and kept out of the reach of babies and young children. Danger of suffocation.

Disposing of your old appliance

Electronic and electrical appliances contain many valuable materials. They also contain certain materials, compounds and components which were essential for their correct functioning and safety. These could be hazardous to your health and to the environment if disposed of with general waste or if handled incorrectly. Please do not, therefore, dispose of your old appliance with your household waste.

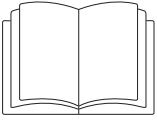


Take care not to damage the tumble dryer's pipework and heat exchanger before or during transportation to an authorised collection depot.

This is to ensure that refrigerant in the tumble dryer and oil in the compressor are contained, and will not leak into the environment.

Please dispose of it at your local community waste collection/recycling centre for electrical and electronic appliances, or contact Miele. You are also responsible for deleting any personal data that may be stored on the appliance being disposed of. Please ensure that your old appliance presents no danger to children while being stored awaiting disposal.

Warnings and safety instructions



It is essential to read these instructions.



This tumble dryer contains a refrigerant that is flammable and explosive.

This tumble dryer complies with all current local and national safety requirements. However, inappropriate use can lead to personal injury and damage to property.

Read the operating instructions carefully before using the tumble dryer. They contain important information on safety, installation, use and maintenance of the appliance. This prevents both personal injury and damage to the tumble dryer.

In accordance with standard IEC 60335-1, Miele expressly and strongly advises that you read and follow the instructions in “Installation”, as well as in the “Warning and Safety instructions”.

Miele cannot be held liable for injury or damage caused by non-compliance with these instructions.

Keep these operating instructions in a safe place and pass them on to any future owner.

Correct application

- ▶ This tumble dryer is designed for domestic use and for use in similar environments by guests in hotel or motel rooms, bed & breakfasts and other typical living quarters. This does not include common/shared facilities or commercial facilities within hotels, motels or bed & breakfasts.
- ▶ This tumble dryer is not suitable for outdoor use.
- ▶ It must only be used to dry items which have been washed in a water solution and which are marked on the manufacturer's care label as being suitable for tumble drying. If using dry cleaning kits, do so at your own risk, and follow the instructions provided on the packaging.
Any other applications may be dangerous. Miele cannot be held liable for damage resulting from incorrect or improper use or operation.
- ▶ This appliance is not intended for use by persons (including children) with reduced physical, sensory or mental capabilities, or lack of experience or knowledge, unless they are supervised whilst using it or have been shown how to use it by a person responsible for their safety.

Safety with children

- ▶ Young children must not be allowed to use this appliance.
- ▶ Older children may only use the appliance when its operation has been clearly explained to them and they are able to use it safely, recognising the dangers of misuse.
- ▶ Children must not be allowed to clean or maintain the tumble dryer unsupervised.
- ▶ Please supervise children in the vicinity of the tumble dryer and do not let them play with it.

Warnings and safety instructions

Technical safety

▶ Before setting up the tumble dryer, check it for any externally visible damage.

Do not install or use a damaged tumble dryer.

▶ Before connecting the tumble dryer, ensure that the connection data on the data plate (fuse rating, voltage and frequency) matches the mains electricity supply. If in any doubt, consult a qualified electrician.

▶ Reliable and safe operation of this tumble dryer can only be assured if it has been connected to the mains electricity supply.

▶ The electrical safety of this tumble dryer can only be guaranteed when correctly earthed. It is essential that this standard safety requirement is met. If in any doubt, please have the household wiring system tested by a qualified electrician. Miele cannot be held liable for the consequences of an inadequate earthing system (e.g. electric shock).

▶ Do not connect the tumble dryer to the mains electricity supply by an extension lead. Extension leads do not guarantee the required safety of the appliance (e.g. danger of overheating).

▶ If the connection cable is faulty, it must only be replaced by a Miele authorised technician to protect the user from danger.

Warnings and safety instructions

- ▶ Unauthorised repairs could result in unforeseen dangers for the user, for which Miele cannot accept liability. Repairs should only be undertaken by a Miele authorised service technician, otherwise any subsequent damage will not be covered by the warranty.
- ▶ Faulty components must only be replaced by genuine Miele spare parts. Miele can only guarantee the safety of the appliance when Miele replacement parts are used.
- ▶ In the event of a fault or for cleaning purposes, the tumble dryer is only completely isolated from the electricity supply when:
 - it is switched off at the wall socket and the plug is withdrawn, or
 - it is switched off at the mains circuit breaker.
- ▶ This tumble dryer must not be installed and operated in mobile installations (e.g. on a ship).
- ▶ Do not make any alterations to the tumble dryer, unless authorised to do so by Miele.

Warnings and safety instructions

▶ This tumble dryer is supplied with a special lamp to cope with particular conditions (e.g. temperature, moisture, chemical resistance, abrasion resistance and vibration). This special lamp must only be used for the purpose for which it is intended. It is not suitable for room lighting. Replacement lamps may only be replaced by a Miele authorised technician.

▶ This tumble dryer uses a gaseous refrigerant which is condensed by the compressor. Having been increased to a high temperature level by compression, the refrigerant passes through a closed refrigerant circuit. The heat generated is transferred to the drying air as it passes through the heat exchanger.

- The humming noises caused by the heat pump during the drying process are normal. They do not impair the correct functioning of the dryer.
- The refrigerant is environmentally friendly and does not damage the ozone layer.

 Damage to the tumble dryer by switching it on too soon.

This can damage the heat pump.

After setting up the tumble dryer, wait for at least one hour before starting a drying programme.

Warnings and safety instructions



▶ The R290 refrigerant contained in this tumble dryer is flammable and explosive. If the tumble dryer is damaged, proceed as follows:

- Avoid naked flames or anything which creates a spark.
- Disconnect the dryer from the electricity supply.
- Air the room where the tumble dryer is located.
- Contact Miele Customer Service.

⚠ Risk of fire and explosion due to damage to the tumble dryer.

The refrigerant is flammable and explosive if it leaks.

Take measures to protect the tumble dryer against damage. Do not make any alterations to the tumble dryer.

▶ Follow the instructions in “Installation” and “Technical data”.

▶ The plug and socket must be accessible at all times in order to be able to disconnect the tumble dryer from the power supply.

▶ Do not block the gap between the bottom of the tumble dryer and the floor with plinth facings, deep pile carpet etc. This would hinder a sufficient flow of air to the tumble dryer.

▶ Make sure the dryer door can be opened without hindrance after installation.

▶ In areas which may be subject to infestation by cockroaches or other vermin, pay particular attention to keeping the appliance and its surroundings in a clean condition at all times. Any damage which may be caused by cockroaches or other vermin will not be covered by the warranty.

Warnings and safety instructions

Correct use



**WARNING:
FLAMMABLE MATERIAL**

⚠ Warning: Risk of fire / Flammable materials.

To avoid the possible danger of fire, please read these warnings carefully.

⚠ A clogged filter is a fire hazard!

The fluff filter must be cleaned after every programme.

- ▶ The maximum load for this tumble dryer is 7.0 kg (dry weight). See the “Programme chart” for the maximum recommended loads for individual programmes.
- ▶ To prevent the risk of fire, do not connect the tumble dryer via a controllable socket (e.g. a timer or a peak-load switch-off device). If the drying programme is interrupted before the end of the cooling down phase, this could cause the laundry to self-ignite.
- ▶ **Warning:** Ensure that you always wait until the end of the programme before removing the laundry. If the drying programme is stopped prematurely, remove the laundry immediately and hang it up or spread it out to cool it down.
- ▶ Fabric softener and similar products must be used according to the instructions on the manufacturer's packaging.
- ▶ Remove all items from pockets (e.g. lighters, matches).

Warnings and safety instructions

- ▶ The fluff filters must be cleaned after every drying cycle. Fluff must not be allowed to accumulate around the tumble dryer.
- ▶ The fluff filters and the plinth filter must be thoroughly dried after cleaning. Do not replace them if they are damp or wet. Damp or wet filters could cause operational faults.
- ▶ Oil-affected items can ignite spontaneously, especially when exposed to heat sources such as in a tumble dryer. The items become warm, causing an oxidation reaction in the oil. Oxidation creates heat. If the heat cannot escape, the items can become hot enough to catch fire. Piling, stacking or storing oil-affected items can prevent heat from escaping and so create a fire hazard. If it is unavoidable that fabrics contaminated with vegetable or cooking oil, or hair care products, be placed in a tumble dryer, they should first be washed in hot water with extra detergent - this will reduce, but not eliminate, the hazard.
- ▶ To prevent the risk of fire, textiles that have not been cleaned thoroughly or are still soiled with deposits of any kind must not be dried in this tumble dryer. This applies in particular to
 - Items which have not been washed.
 - Items, such as workwear, which have not been thoroughly cleaned and are still soiled with grease, oil or other deposits (such as cooking oils, cosmetics, lotions, etc.). If items have not been thoroughly cleaned, there is a danger that they might ignite when heated, even after they have been removed from the tumble dryer at the end of the programme.
 - Items that have been soiled with substances such as cooking oil, acetone, petrol, kerosene, spot removers, turpentine, waxes, wax removers and other chemicals (e.g. mops and floor cloths).
 - Items which have been splashed with hair lacquer, hair spray, nail varnish remover or similar substances.

Warnings and safety instructions

When washing such heavily soiled items:
Ensure that you use a larger quantity of detergent and select a high temperature. If in doubt, wash the items several times.

- ▶ To prevent the risk of fire, the following textiles must never be dried in the tumble dryer:
 - Textiles that have been cleaned using chemicals (e.g. professional dry-cleaning agents).
 - Textiles which contain a large proportion of rubber, foam rubber or rubber-like materials. For example, products made from latex foam rubber, shower caps, waterproof textiles, rubberised articles and items of clothing and pillows with foam rubber filling.
 - Textiles which contain padding or fillings which are damaged (e.g. pillows, jackets). The filling could fall out and cause a fire.
- ▶ The heat pump that is essential to the operation of this tumble dryer generates a lot of heat inside its casing. It must be possible to dissipate this heat well. Otherwise loads could take longer to dry or the tumble dryer might sustain damage in the long term.

The following mandatory requirements must be met:

- permanent room ventilation from the beginning to the end of every drying programme.
- a gap between the floor and the bottom of the tumble dryer (this must not be blocked or obstructed in any way).
- ▶ The tumble dryer must not be hosed down.
- ▶ Do not let anyone sit or lean on the door, as this can cause the tumble dryer to tip up.

Warnings and safety instructions

▶ In many programmes, the heating phase is followed by a cooling down phase to ensure that the items are not too hot to handle when you remove them (this also avoids the danger of the laundry self-igniting). The programme is not finished until the cooling down phase has been completed.

As soon as the programme has finished, remove all laundry from the drum.

▶ Always close the door after use. This way you will avoid the danger of:

- children climbing onto or into the dryer or hiding things in it.
- pets or other small animals climbing into it.

▶ The tumble dryer must not be used

- without the fluff filters in place or with damaged fluff filters.
- without the plinth filter in place or with a damaged plinth filter.

This would cause an excessive build-up of fluff which in turn would cause a fault.

▶ Do not install the tumble dryer in a room where there is a risk of frost occurring. At temperatures around freezing point the tumble dryer may not be able to operate properly. There is a risk of damage if the condensed water is allowed to freeze in the pump and hoses.

▶ If the water is drained externally through the drain hose instead of being collected in the condensed water container, make sure the drain hose is securely attached if you hang it in a laundry tub to avoid the hose slipping and the water causing damage.

▶ Condensed water is not drinking water.

It can cause health problems in both people and animals.

▶ Always keep the area around the tumble dryer free of dust and fluff.

Dust drawn into the tumble dryer can cause blockages in the heat exchanger over time.


Warnings and safety instructions

Using a fragrance flacon (optional accessory)

- ▶ Only use genuine Miele original fragrance flacons.
- ▶ The fragrance flacon must be stored in its packaging so please make sure you retain this.
- ▶ Caution. The fragrance can run out of the flacon. Make sure that you always keep the flacon, or the fluff filter with the flacon inserted in it, upright when carrying and do not tip it or place it down on any surface.
- ▶ Use an absorbent cloth immediately to wipe up any fragrance which has run out of the flacon onto the floor, the dryer or any dryer components (e.g. the fluff filter).
- ▶ If fragrance which has run out of a flacon should come in contact with the **skin** - wash the skin thoroughly with soap and water; come in contact with the **eyes** - rinse the eyes with clean water for at least 15 minutes; be swallowed - rinse out the **mouth** thoroughly with clean water. Seek medical advice in the case of contact with the eyes or if fragrance has been swallowed.
- ▶ If fragrance which has run out of a flacon comes in contact with clothing, change the clothing immediately. Wash the clothing or any cloths used for mopping up fragrance thoroughly with plenty of water and detergent.
- ▶ There is the risk of fire or damage to the tumble dryer if the following instructions are not observed:
 - Never refill a flacon with fragrance.
 - Never use a faulty fragrance flacon.
- ▶ Dispose of an empty fragrance flacon with the household waste and never use it for any other purpose.
- ▶ Please also observe the information supplied with the fragrance flacon.

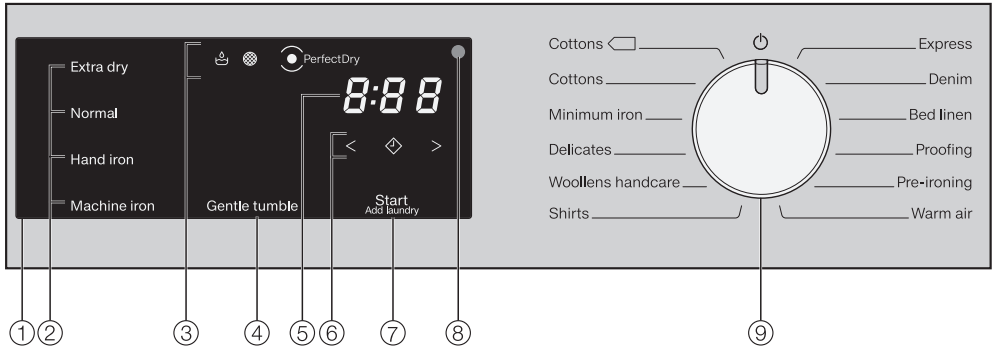
Accessories




- ▶ Only use genuine Miele spare parts and accessories with this appliance. If spare parts or accessories from other manufacturers are used, this will invalidate the warranty, and Miele cannot accept liability.
- ▶ A Miele tumble dryer can be stacked on top of a Miele washing machine using the appropriate stacking kit (available as an optional accessory). Please make sure you order the correct one for the Miele washing machine and Miele tumble dryer.

 Miele cannot be held liable for damage caused by non-compliance with these Warning and Safety instructions.

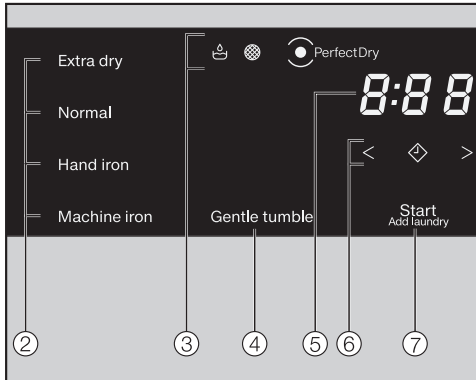
Operating the tumble dryer

Control panel



- ① **Control panel**
- ② **Sensors for the drying levels**
- ③ **Indicator lights**  light up when necessary
- ④ **Gentle tumble sensor** for gentle drying
- ⑤ **Time display** for the programme duration
- ⑥ **Sensors**  for time selection
- ⑦ **Start/Add laundry sensor** for programme start and adding laundry
- ⑧ **Optical interface** for service technicians
- ⑨ **Programme selector** for selecting programmes and for switching off. The dryer is switched on by selecting a programme, and switched off by turning the programme selector to the  position.

How the control panel works



The ②, ④, ⑥, and ⑦ sensors react to fingertip contact. Selection is possible as long as the respective sensor is illuminated.

If a sensor is brightly lit, this means it is currently selected.




If a sensor is dimly lit, this means it can be selected.

② Sensors for the drying levels

After selecting a drying programme with the programme selector, the proposed drying level lights up.

Drying levels that can be selected are dimly lit.


③ Indicator lights

-  lights up when the condensed water container needs to be emptied.
-  lights up when the plinth filter needs to be cleaned.
-  *Perfect Dry*
The Perfect Dry system measures the residual moisture present in the laundry in programmes with selectable drying levels and provides a more precise drying result.

The *PerfectDry*  display

- will flash until the programme duration has been determined, and then go out.
- will light up again when the selected drying level is reached and remain on until the end of the programme.
- does not light up at all with the programmes *Woolens handcare*, *Warm air*.

④ Gentle tumble sensor

For drying temperature-sensitive textiles with the  symbol. When the sensor is touched, *Gentle tumble* lights up brightly.

With some programmes, *Gentle tumble* is always active (lights up brightly) or inactive (does not light up).

Operating the tumble dryer



⑤ Time display

The remaining programme duration will be displayed in hours and minutes.

With most programmes, the duration displayed may vary or “jump”. The following factors, among others, affect the programme duration displayed: the quantity of the laundry, the type of fabric and the residual moisture in the laundry. The electronics will continually assess the conditions and adjust the programme duration with increasing accuracy.

⑥ Sensor < >

- 

After touching the  sensor, a later start time for the programme (Delay start) can be selected. Once selected,  lights up brightly.

- < >

The < or > sensors are used for selecting the duration of the Delay start period or the duration of the *Warm air* programme.

⑦ Start/Add laundry sensor


Touching the *Start/Add laundry* sensor starts a programme. The current programme can be interrupted to add laundry. The programme can be started when the sensor is flashing on and off. The sensor lights up constantly once the programme has started.

Drum lighting

The lighting helps to ensure that all items are removed from the drum.

The drum lighting will go out automatically to save energy.

Downtime after installation

 Damage to the tumble dryer by switching it on too soon.

This can damage the heat pump.

After setting up the tumble dryer, wait for at least one hour before switching it on.

Removing the protective foil and advertising stickers

■ Remove:

- the protective foil from the door (if present).
- any advertising stickers from the front and the lid.

Please do not remove any labels (e.g. the data plate) which are visible when you open the door.

Follow the procedure for using for the first time outlined in these instructions

- Refer to “1. Notes on correct laundry care” and “2. Loading the tumble dryer”.
- You can then load the tumble dryer and select a programme as described in “3. Selecting a programme and starting it”.

Energy saving tips

This dryer with heat-pump technology is designed for energy-saving drying cycles. You can save even more energy with the following measures, because the drying time is not extended unnecessarily.

- Make sure your laundry is spun at the maximum spin speed before drying. The higher the spin speed, the greater the savings that can be made in energy and time during drying, e.g. approx. 20 % energy can be saved if spinning laundry at 1600 rpm instead of 1000 rpm.
- Use the maximum load quantity for the drying programme being used. This will mean that the energy consumption for the amount of laundry is the most economical.
- Make sure that the room temperature is not too high. If there are other heat producing appliances in the room in which the dryer is located, make sure the room is well ventilated and switch the other appliances off, if possible.
- Clean the fluff filters in the door opening after every drying cycle.

Please refer to “Cleaning and care” for information on cleaning the fluff filters and the plinth filter.


- If possible, make use of time-variable, low-cost electricity tariffs. Ask your energy supplier for information. Your tumble dryer's Delay start function will be useful as you can select when during the next 24 hours you want drying to start automatically.

1. Notes on correct laundry care

Points to note regarding washed laundry


- When washing very heavily soiled items, ensure that you use sufficient detergent and select a high temperature. If in doubt, wash the items several times.
- Do not put soaking wet items into the tumble dryer. Make sure your laundry is thoroughly spun before drying. The higher the spin speed, the greater the savings that can be made in energy and time during drying.
- New dark coloured garments should be washed and dried separately from light coloured garments to avoid the risk of colours running and discolouring other garments or even plastic components in the dryer. Dark coloured fibres can also settle on light coloured garments and vice versa.
- Starched laundry can be dried in the tumble dryer. To achieve the usual finish, double the amount of starch should be used.

Preparing the laundry before drying

 Damage due to foreign objects which were not removed from the laundry.

Foreign objects can melt, burn, or explode.

Ensure that any foreign objects, e.g. detergent dispensing balls, lighters, etc. have been removed from the laundry.

 Risk of fire due to incorrect use and operation.

The laundry can burn and destroy the dryer and the surroundings.

See “Warning and Safety instructions” for further information.

- Sort the laundry according to the type of fibre and weave, size, garment care label symbol and the drying level required.
- Check seams and stitching to ensure that padding and linings are intact. This way you will avoid the danger of fillings coming out. These could catch fire when being dried.
- Untangle the laundry.
- Tie together textile belts and apron ties.
- Fasten duvet covers and pillow cases to prevent small items from being rolled up inside them.
- Fasten hooks and eyes.
- Leave jackets open and undo any long zips so that textiles dry evenly.
- Sew in or remove loosened underwiring from bras.
- Reduce the size of the load. Minimum iron fabric tends to crease more the larger the load. This is particularly the case for garments made from very fine weave fabric, such as shirts or blouses.

1. Notes on correct laundry care




Drying

Useful tip: See the “Programme chart”. It lists all programmes and their maximum load.

- Always observe the maximum recommended load for each programme. This will mean that the energy consumption for the amount of laundry is the most economical.
- Down-filled garments have linings which have a tendency to shrink, depending on the quality of the item. Only use the *Pre-ironing* programme for these textiles.
- Pure linen should only be tumble dried if it is specified as suitable on the care label. The surface of the fabric may otherwise become rough. Only use the *Pre-ironing* programme for these textiles.
- Woollens and wool blends are susceptible to becoming matted or shrinking. Only use the *Woollens handcare* programme for these textiles.
- Loopknit garments (e.g. T-Shirts, underwear) have a tendency to shrink after the first wash. Do not overdry these fabrics to prevent further shrinking. When buying loopknit garments, it is advisable to take their shrinkage potential into account.
- With fabrics that are particularly heat-sensitive or susceptible to creasing, reduce the drying load and select *Gentle tumble*.

Care label symbols

Drying

-  Normal/higher temperature
-  Reduced temperature*
* Select *Gentle tumble*
-  Do not tumble dry

Ironing

- | | |
|--|---|
|  Very hot |  Hot |
|  Warm |  Do not iron |

Selecting the correct drying level

- *Extra dry* for multi-layered and very thick fabrics.
- *Normal* for textiles that can shrink or for light cotton or jersey textiles.
- *Hand iron* or *Machine iron* if you want to iron the laundry after drying.

Useful tip: You can alter the drying levels (damper or drier) for the *Cottons* and *Minimum iron* programmes. See “Programmable functions”.

2. Loading the tumble dryer

Loading the laundry

Textiles may be damaged.
Before loading, read chapter “1. Notes on correct laundry care” first.



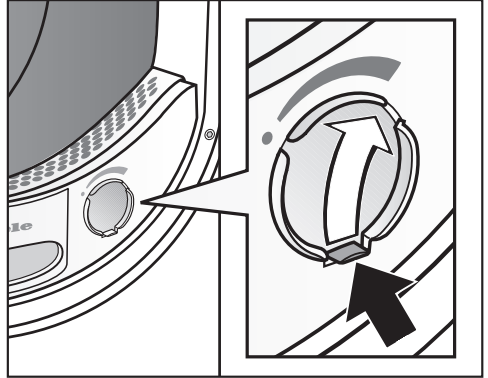
- Open the door.
- Remove any items that have been left inside the drum.
- Unfold the laundry and load loosely into the drum.

Do not overload the drum. Doing so will cause unnecessary wear and tear to the laundry and affect the drying result. It is also likely to cause more creasing.

Laundry items may be damaged if they get trapped by the door.

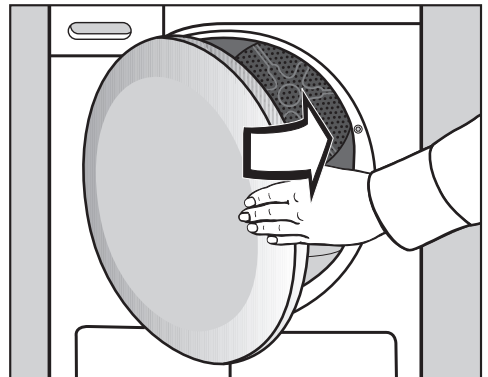
Socket for the fragrance flacon

See the section “Fragrance flacon” for information on how to use fragrance flacons.



If you are not using a fragrance flacon: Push the tab down completely (see arrow) so that the socket is closed. Otherwise, fluff will accumulate here.


Closing the door

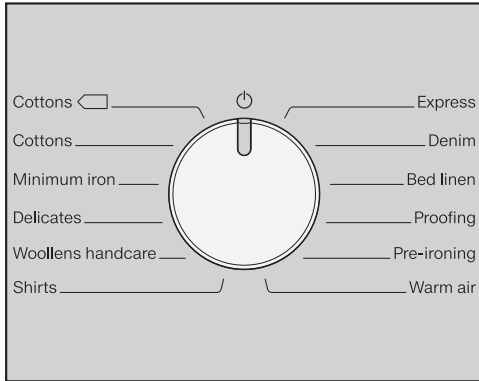


- Shut the door with a gentle swing.

3. Selecting a programme and starting it

Selecting a programme

The dryer is switched on by selecting a programme, and switched off by turning the programme selector to the  position.



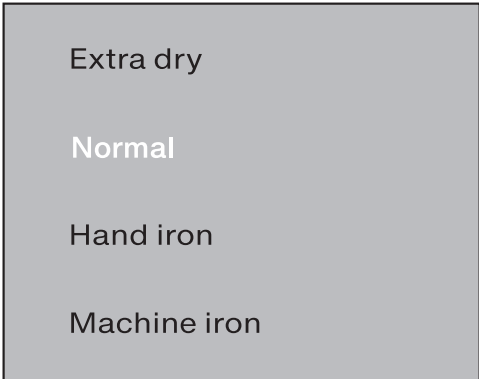
- Turn the programme selector to a programme.

A drying level may light up and durations will appear in the time display.

Selecting a drying level with a drying programme

Cottons, Minimum iron, Delicates, Shirts, Express, Denim, Bed linen, Pre-ironing

The preset drying level for the programme can be changed if required.



- Touch the sensor for the drying level you want. It then lights up brightly.

Any drying level can be selected for the *Cottons*, *Express*, and *Bed linen* programmes. A limited range is available with the other programmes.

3. Selecting a programme and starting it

Selecting timed drying programmes and other programmes

Warm air

You can set the duration in ten-minute increments from 0:20 minutes to 2:00 hours.




- Touch the < or > sensor repeatedly until the required programme duration appears in the time display.

Cottons , Woollens handcare, Proofing

The drying level is preset by the dryer and cannot be altered.

Selecting Gentle tumble

Delicate fabrics (with the  symbol on the care label, e.g. acrylic garments) are dried at a lower temperature. The programme duration is longer.

- Touch the *Gentle tumble* sensor. It then lights up brightly.
- *Gentle tumble* can be selected with the following programmes:
 - *Cottons*
 - *Minimum iron*
 - *Shirts*
 - *Denim*
 - *Warm air*
- *Gentle tumble* is always activated/ cannot be deselected with *Delicates*, *Pre-ironing*.


3. Selecting a programme and starting it

Selecting Delay start

With Delay start you can delay the start of a programme from 0:30 minutes up to 24h.

However: Delay start cannot be used with the *Warm air* programme.



■ Touch the  sensor.


The  sensor lights up brightly.

■ Touch the > or < sensor repeatedly until the required delayed start time appears in the time display.

Useful tip: The time will count upwards and downwards automatically if you touch the > or < sensor continuously.

Altering Delay start

If you would like to alter the Delay start function after starting a programme, the function must be cancelled first.

■ Turn the programme selector to the  position.

The tumble dryer is switched off and Delay start is cancelled.

■ Select a programme.

■ Select a Delay start time.

Delay start countdown

- Delay start times of more than 10h will count down in hours and then in minutes until the start of the programme.
- The drum will turn briefly every hour until the start of the programme to reduce laundry creasing (Anti-crease function).

Adding laundry during the Delay start period

■ Follow the instructions in the sections “Changing the programme sequence” and “Adding or removing laundry”.

3. Selecting a programme and starting it

Starting a programme

- Touch the flashing *Start/Add laundry* sensor.

The *Start/Add laundry* sensor lights up.

Programme sequence

- If Delay start has been selected, the Delay start time will start to count down first.
- The programme starts.
- The *PerfectDry* indicator will only flash/light up with programmes with selectable drying levels (see also “Operating the tumble dryer”).
- The dryer measures the residual moisture of the laundry and calculates the required programme duration.
If a small load or dry laundry is placed in the dryer, it is dried/aired for a preset duration. In this case the *PerfectDry* indicator does not light up at the end of the programme.

Laundry items and fabrics can wear out unnecessarily.
Avoid over-drying laundry and garments.

- Before the programme finishes, the laundry is cooled.

Energy savings

After 10 minutes, the indicators dim. The *Start/Add laundry* sensor flashes slowly.

- Touch the *Start/Add laundry* sensor to switch the indicators on again (this does not have any effect on a running programme).

Adding laundry

You can add laundry after the programme has started.

- Follow the instructions in the sections “Changing the programme sequence” and “Adding or removing laundry”.

4. Removing the laundry at the end of the programme

End of programme/Anti-crease

End of programme: *0:00* lights up in the time display and the *Start/Add laundry* sensor goes out.

The end of the programme is followed by the Anti-crease phase, which will run for up to 2 hours. The *Woolens handcare* programme does not support the Anti-crease function.

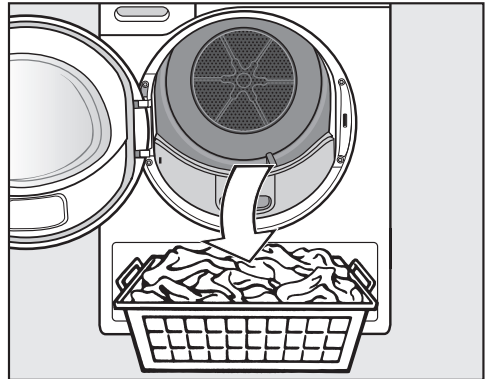
See "Programmable functions - P14 Anti-crease".

The tumble dryer switches off automatically.

Removing the laundry

Only open the door when the drying process has finished. Otherwise, the laundry will not be properly dried and cooled down.


- Reach under the door grip and pull the door open.



- Remove the laundry.

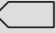

Always remove all items from the drum.

Items left in the dryer could be damaged by overdrying when the dryer is used the next time.

- Turn the programme selector to the  position.
- Remove the fluff from the 2 fluff filters in the door opening (see "Cleaning and care - Fluff filters").
- Shut the door with a gentle swing.
- Empty the condensed water container.

Programme chart

All weights marked with * are based on the weight of dry laundry.

Cottons 		Max. load 7.0 kg*
Items	Cotton items such as those described under <i>Cottons Normal</i> with normal residual moisture.	
Notes	Items are dried to a <i>Normal</i> level only.	
Cottons		Max. load 7.0 kg*
Extra dry, Normal		
Items	Single and multi-layered cotton fabrics. For example: towelling, jerseywear, T-shirts, underwear, baby clothes, workwear, covers, aprons, jackets, bathrobes, and flannelette bed linen.	
Notes	<ul style="list-style-type: none"> - Select <i>Extra dry</i> for multi-layered and very thick fabrics. - Do not use <i>Extra dry</i> for jersey fabrics (e.g. T-shirts, underwear, baby clothes), as they have a tendency to shrink. 	
Select programme “Cottons Normal” for testing in accordance with AS/NZS 2442.1 & AS/NZS 2442.2		
Hand iron, Machine iron		
Items	Cotton or linen fabric requiring further processing. For example: table linen, bed linen, or starched laundry.	
Notes	Roll up laundry that you want to machine iron to prevent it from drying out until you are ready for ironing.	
Minimum iron		Max. load 4 kg*
Normal, Hand iron		
Items	Minimum iron items made of cotton, synthetic, or mixed fibre. For example: workwear, overalls, pullovers, dresses, trousers, table linen and leggings.	
Delicates		Max. load 2.5 kg*
Normal, Hand iron		
Items	Delicate items with the  symbol on the care label made of synthetic fibre, mixed fibre, rayon, and easy care cotton. For example: shirts, blouses, lingerie, and appliquéd garments.	
Notes	The load should be reduced further for a particularly crease-free drying result.	

Programme chart

Woollens handcare		Max. load 2.0 kg*
Items	Woollen garments and fabric containing wool blends, e.g. pullovers, cardigans, stockings.	
Notes	<ul style="list-style-type: none"> - Wool and wool blend items are only fluffed up; they are not dried completely. - Remove garments as soon as the programme has finished. 	
Shirts		Max. load 2 kg*
Normal, Hand iron		
Items	Shirts and blouses	
Express		Max. load 4 kg*
Extra dry, Normal, Hand iron, Machine iron		
Items	Fabrics with the ☺ symbol that are suitable for the <i>Cottons</i> programme.	
Notes	The programme duration is shorter.	
Denim		Max. load 3 kg*
Normal, Hand iron		
Items	Denim garments, e.g. jackets, jeans, shirts, and skirts.	
Bed linen		Max. load 4 kg*
Extra dry, Normal, Hand iron, Machine iron		
Items	Bed linen, pillow cases.	
Proofing		Max. load 2.5 kg*
Items	Fabrics suitable for tumble drying, e.g. microfibre fabrics, skiwear, outerwear, fine, close-weave cotton garments (poplin), and tablecloths.	
Notes	<ul style="list-style-type: none"> - This programme only dries to the <i>Normal</i> level. - This programme includes a proofing fixing phase. - Only use proofing agents which are stated by the manufacturer as being "suitable for use on membrane textiles". These agents contain fluorochemical compounds. - Do not dry items which have been treated with proofing agents containing paraffin. Fire hazard! 	

Programme chart

Pre-ironing		Max. load 1 kg*
Normal, Hand iron		
Items	<ul style="list-style-type: none"> - Cotton and linen fabrics. - Minimum iron items made of cotton, synthetic or mixed fibre. For example: cotton trousers, jackets, anoraks, and shirts. 	
Notes	<ul style="list-style-type: none"> - This programme smoothes out creasing caused during the spin cycle in the washing machine. - This programme is also suitable for dry fabrics. - Please remove the garments as soon as the programme has finished. 	
Warm air		Max. load 7.0 kg*
Items	<ul style="list-style-type: none"> - Multi-layered fabrics whose layers have different drying characteristics, e.g. jackets, pillows, sleeping bags and other bulky items. - For drying individual items, e.g. bath towels, bathing suits, tea towels and small loads. 	
Tip	Do not select the longest drying time to start with. Check the items as you are drying them to find the optimal time.	


Changing the programme sequence

Changing a programme after it has started

It is no longer possible to change the selected programme. This prevents the appliance being operated unintentionally, e.g. by children.

If you adjust the programme selector, the *-D-* symbol will light up in the time display. The *-D-* symbol goes out when you select the original programme.

Cancelling the current programme

- Turn the programme selector to the  position.

The programme is cancelled.


You can now select a new programme.

Adding or removing laundry

You have forgotten an item of laundry, but the programme has already started.

- Touch the *Start/Add laundry* sensor.

The word *Add* will appear in the time display. The *Start/Add laundry* sensor flashes slowly.

 Risk of burning when touching hot laundry in the drum.
You could burn yourself.

- Open the door.
- Add or remove laundry.

You can also change the programme selection.

- Close the door.
- Touch the *Start/Add laundry* sensor.

The programme will continue.

Exceptions to adding laundry

In some cases, e.g. during the cooling phase or in the *Proofing* programme, you cannot add laundry.

In these cases, the word *Add* is not displayed.


In exceptional cases, the door can be opened while the programme is running.


Condensed water container


Emptying the condensed water container

The condensed water is collected in the condensed water container.

Empty the condensed water container after every drying programme.

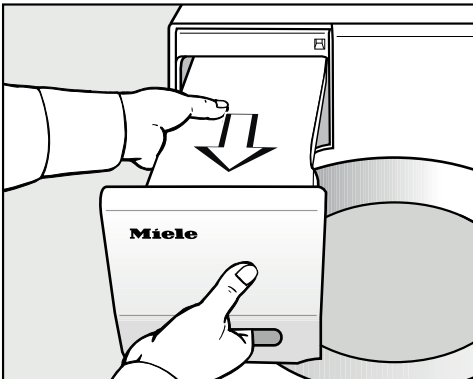
The  indicator will light up when the maximum level in the condensed water container is reached.

To turn the  indicator light off: Open and close the door while the dryer is switched on.

 **Damage to the door and the fascia panel when removing the condensed water container.**

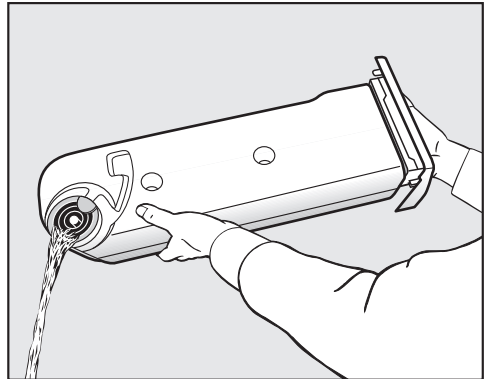
The door and the fascia panel can get damaged.

Always close the door completely.



- Pull out the condensed water container.

- To prevent water running out, keep it in a horizontal position when carrying it. Hold the condensed water container by the front panel and at the back.



- Empty the container.
- Replace the container in the dryer.

Condensed water can cause health problems in people and animals.
Do not drink condensed water.

Condensed water can be put to household use (e.g. used in a steam iron or humidifier). To ensure that any residual particles of fluff in the condensed water are removed before use, pass it through a fine sieve or paper filter first.

Fragrance flacon

FragranceDos

Fragrance flacons (optional accessories) can be used to give your laundry a pleasant scent.

Useful tip: You can simply close the fragrance flacon if you want to dry textiles without adding fragrance.

⚠ Risk of fire and harm to health if fragrance flacons are used incorrectly.

Leaked fragrance can be harmful to your health if it comes into contact with your body. Leaked fragrance can cause a fire.

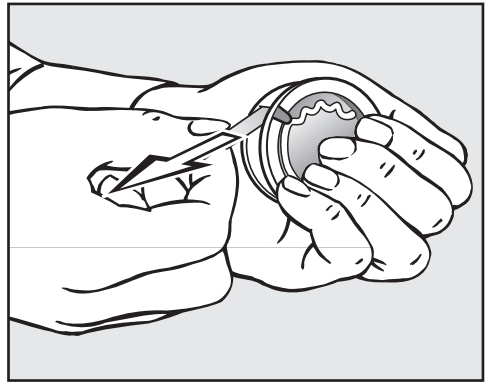
Before using a fragrance flacon, please read "Warning and Safety instructions - Using a fragrance flacon (optional accessory)".

Removing the protective seal from the fragrance flacon

Only hold the fragrance flacon as illustrated. Do not hold it at an angle or tip it as the fragrance will leak out.

- Take the fragrance flacon out of its packaging.

Do not attempt to open the fragrance flacon.

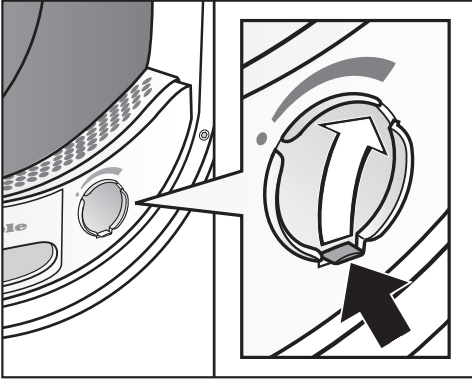


- Hold the fragrance flacon securely so that you do not open it by mistake.
- Pull off the protective seal.

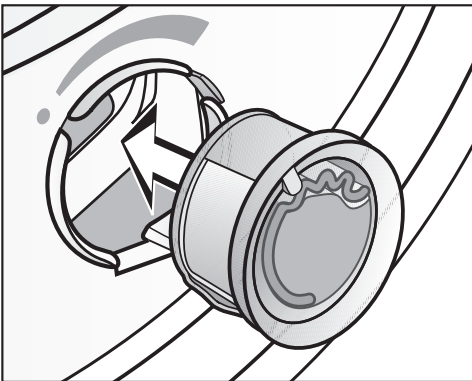
Inserting the fragrance flacon

- Open the door of the tumble dryer.

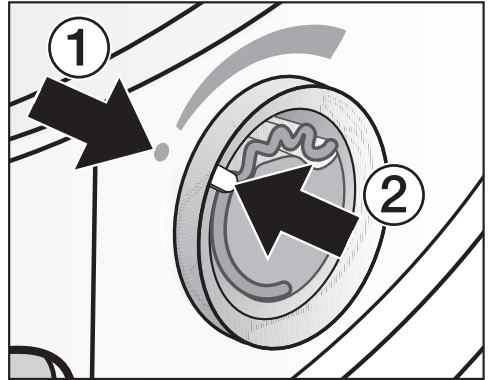
The fragrance flacon is inserted in the upper fluff filter next to the recessed grip.



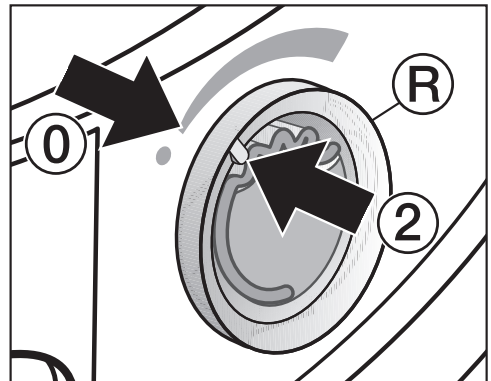
- Open the cover using the tab until the tab is right at the top as shown.



- Insert the fragrance flacon in the opening as far as it will go.



Markers ① and ② must line up with each other.



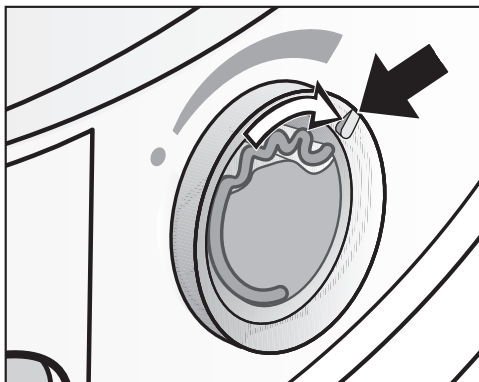
- Turn the outer ring **R** clockwise a little.

The fragrance flacon can slip out. Turn the outer ring so that markers ② and ① line up.

Fragrance flacon

Opening the fragrance flacon

Before drying, you can select the intensity of the fragrance.

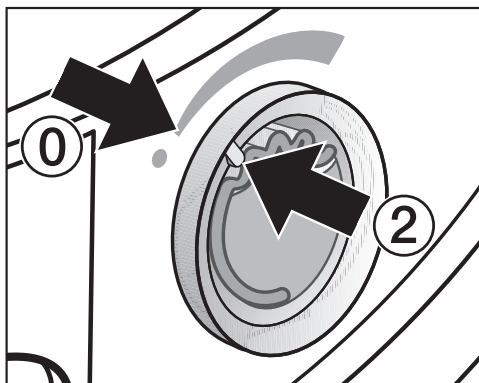


- Turn the outer ring clockwise: the further you open the fragrance flacon, the more intense the fragrance.

The fragrance is only released into the laundry effectively with damp laundry and longer drying times with sufficient heat transfer. The fragrance will also be noticeable in the room air during the drying process.

Closing the fragrance flacon

After drying, the fragrance flacon should be closed to prevent the fragrance from escaping needlessly.

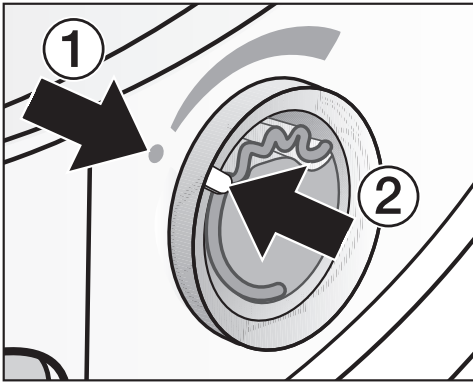


- Turn the outer ring anti-clockwise until marker ② is in position ①.

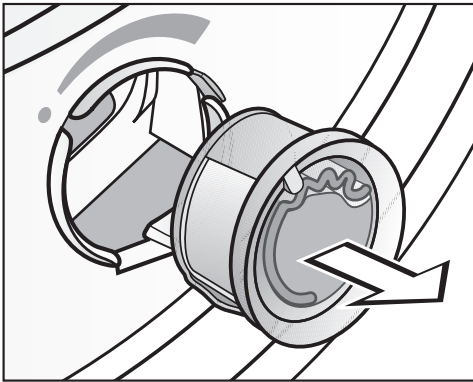
If you wish to dry laundry without adding fragrance: remove the fragrance flacon and store it in its original packaging.

When the intensity of the fragrance is no longer sufficient, replace the fragrance flacon with a new one.

Removing/replacing the fragrance flacon



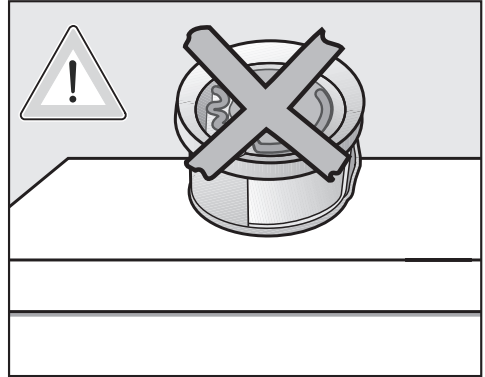
- Turn the outer ring anti-clockwise until markers ① and ② line up.



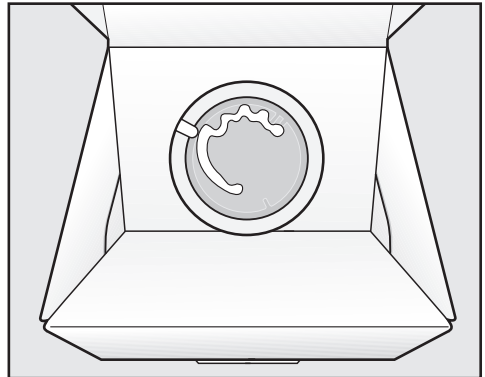
- Replace the fragrance flacon with a new one.

When not in use, you can store the fragrance flacon in its original packaging.

Fragrance flacons are available to order from Miele or via the Miele online shop.



Fragrance can leak.
Do not lay the fragrance flacon down.



- If you are keeping the fragrance flacon in its original packaging, do not store the packaging upright on its edge or upside down. Otherwise, the fragrance will leak out.
- Always store in a cool, dry place away from direct sunlight.
- When purchasing new fragrance flacons, only remove the protective seal just before use.

Cleaning and care

Fluff filters

This tumble dryer has 2 fluff filters in the loading area of the door. Both fluff filters trap fluff produced during the drying process.

Clean the fluff filters after each drying programme. This prevents an extension of the programme duration.

Also clean the fluff filters when the  indicator light comes on.

- To make the indicator light go out, open and close the door while the tumble dryer is switched on.

Removing the fragrance flacon

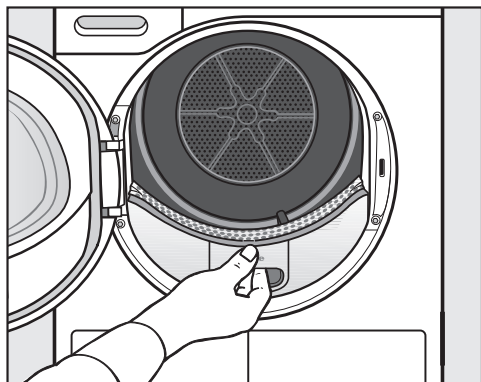
The intensity of the fragrance will be diminished if the fluff filters and the plinth filter are not cleaned.

- Remove the fragrance flacon. See “Fragrance flacon - Removing/replacing the fragrance flacon”.

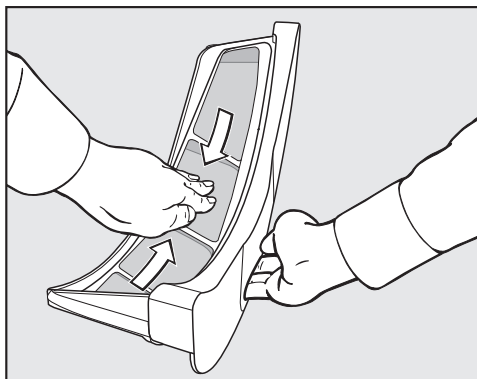
Removing visible fluff

Useful tip: You can use a vacuum cleaner so that you can remove the fluff without touching it.

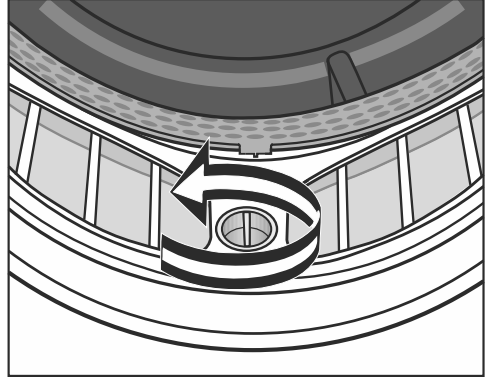
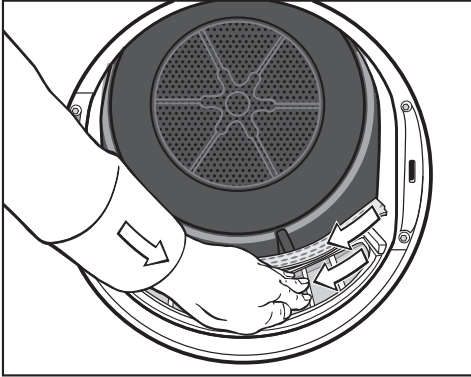
- Open the door.



- Pull the upper fluff filter forwards to remove it.



- Remove the fluff (see arrows).

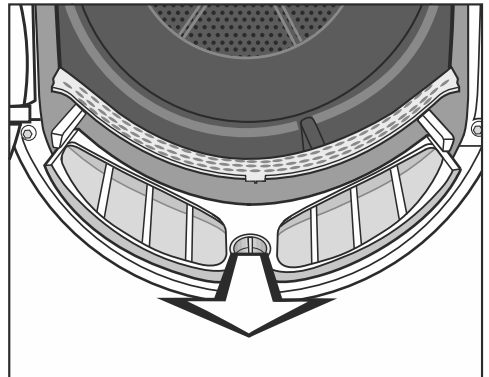


- Remove the fluff from the filter surface of all the fluff filters and the perforated laundry deflector (see arrows).
- Push the upper fluff filter back until it clicks into position.
- Close the door.

- Turn the yellow dial on the lower fluff filter in the direction of the arrow (until you hear it click).

Cleaning the fluff filters and air flow openings thoroughly

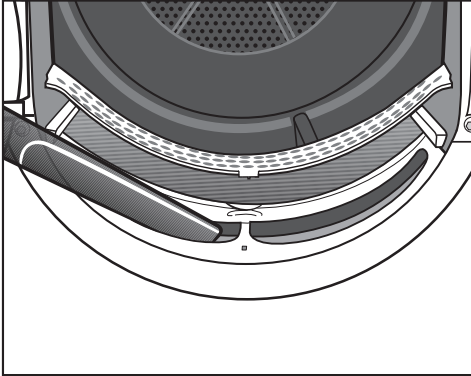
If the drying duration has become longer or the surface of the filters is visibly compacted with fluff, you should clean them thoroughly.



- Remove the fragrance flacon. See "Fragrance flacon - Removing/replacing the fragrance flacon".
- Pull the upper fluff filter forwards to remove it.

- Hold the dial and pull the fluff filter forwards to remove it.

Cleaning and care



- Use a vacuum cleaner with a long crevice nozzle attached to remove any visible fluff from the upper air flow openings.

Finally, clean the fluff filters with water.


Cleaning the fluff filters with water

- Wipe the smooth plastic surfaces of the fluff filters with a damp cloth to clean them.
- Rinse the filters with warm running water.
- Shake the fluff filters thoroughly and then dry them carefully.

Ensure the filters are dry before replacing them. Wet filters could cause operational faults.

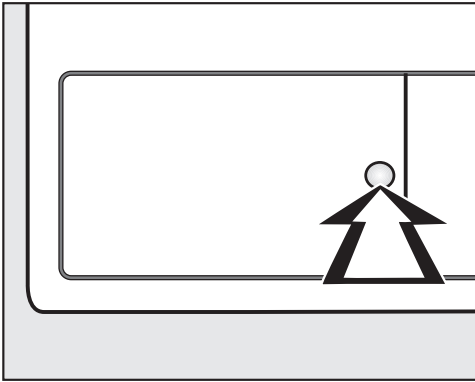
- Push the lower fluff filter in completely and lock it with the yellow dial.
- Push the upper fluff filter in completely.
- Close the door.

Cleaning the plinth filter

Clean the plinth filter whenever the indicator light comes on or when the programme duration is longer than usual. 

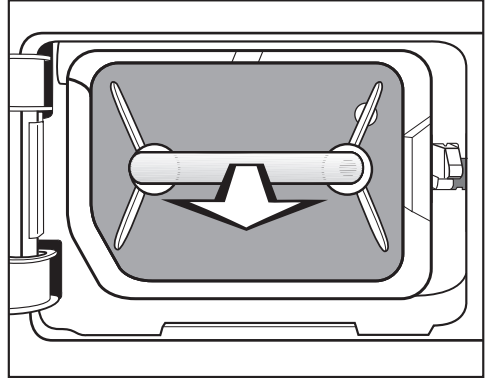
- To make the indicator light go out, open and close the door while the tumble dryer is switched on.

Removing the plinth filter



- Press the round, indented area on the heat exchanger access panel to open it.

The panel will spring open.

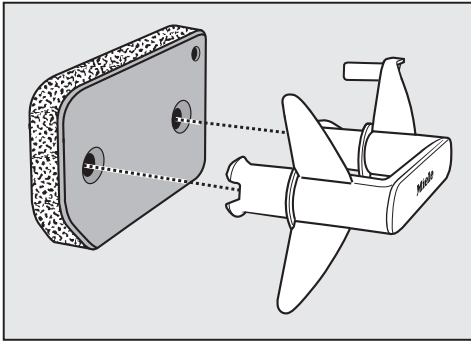


- Pull the plinth filter out by the handle.


When the plinth filter is pulled out, the right guide pin will slide out. The guide pin prevents the flap from being closed without the plinth filter in place.

Cleaning and care

Cleaning the plinth filter

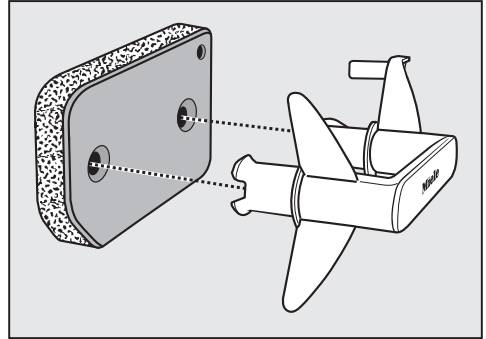


- Pull the handle out of the plinth filter.
- Clean the filter thoroughly under running water.
- Squeeze the plinth filter very carefully several times as you rinse it.
- Rinse the plinth filter until all visible residues have been removed.
- Use a damp cloth to remove any fluff from the handle.

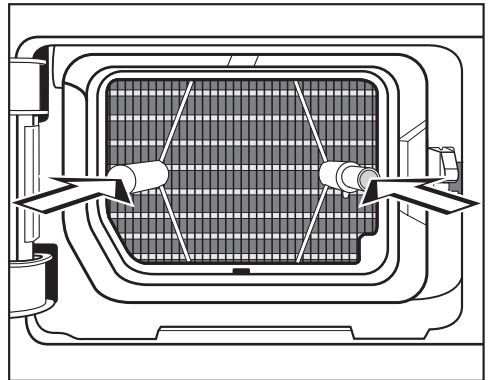
 **Damage caused by a damaged or worn filter.**

If the plinth filter is not functioning properly, the heat exchanger will be obstructed. A fault may occur.

Check the plinth filter in accordance with the descriptions in "Problem solving guide - Replacing the plinth filter". If necessary, replace the plinth filter with a new one.

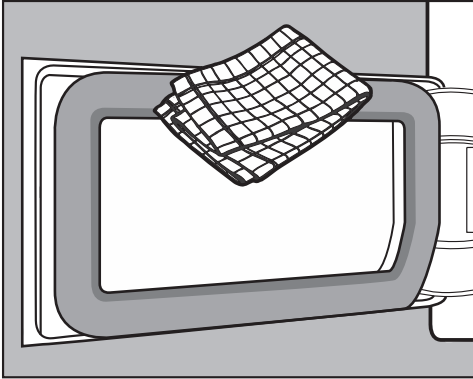


- Fit the plinth filter back on the handle the right way round.



- Push the plinth filter in completely. Insert the right guide pin at the same time.

Cleaning the plinth filter flap



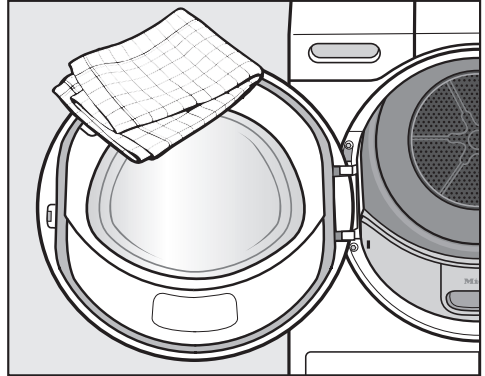
- Use a damp cloth to remove any fluff. Make sure that you do not damage the rubber seal when doing this.
- Close the heat exchanger access panel.

⚠ Damage or ineffective drying when drying without a plinth filter or with the heat exchanger flap open. An excessive accumulation of fluff can damage the dryer in the long term. If the system is not leak-proof, this can lead to ineffective drying. Only operate the dryer with the plinth filter fitted correctly and the heat exchanger access panel closed.

Cleaning the dryer

Disconnect the dryer from the electricity supply.

⚠ Damage due to the use of unsuitable care products. Unsuitable care products could damage plastic surfaces and other parts. Do not use solvents, abrasive cleaners, glass cleaners or all-purpose cleaners.








- Clean the dryer and the seal on the inside of the door only with a slightly damp, soft cloth and mild detergent or soapy water.
- Dry all parts with a soft cloth.

Problem solving guide





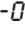
With the help of the following guide, minor faults in the performance of the appliance, some of which may result from incorrect operation, can be remedied without contacting Miele. This will save you time and money because you won't need a service call.

Please note that a call-out charge will be applied to unnecessary service visits where the problem could have been rectified as described in these operating instructions.

Indicator lights or information in the time display

Problem	Possible cause and remedy
<p>The  indicator light lights up at the end of the programme.</p>	<p>The tumble dryer is not working correctly or economically. Possible causes could be clogging caused by fluff or detergent residues.</p> <ul style="list-style-type: none"> ■ To switch off the  indicator light, open and close the door (with the tumble dryer switched on). ■ Please see "Cleaning and care" for notes on cleaning. ■ Clean the fluff filters. ■ Also check the plinth filter and clean it if necessary. <p>You can influence when the  indicator light comes on.</p> <ul style="list-style-type: none"> ■ Follow the instructions in "Programmable functions - P20 Airways indicator".
<p>The  indicator light comes on. <i>F</i> and <i>055</i> light up after a programme has been cancelled, a signal tone sounds.</p>	<p>The system is clogged by fluff or detergent residues.</p> <ul style="list-style-type: none"> ■ To deactivate the message, turn the programme selector to the  position. ■ Clean the fluff filters and the plinth filter. <p>Please see "Cleaning and care" for notes on cleaning.</p> <ul style="list-style-type: none"> ■ Check that the fluff filters and the plinth filter are not damaged or worn. <p>If all fluff filters are damaged, deformed or cannot be cleaned anymore, they must be replaced. For information on when to replace a plinth filter that is not functioning properly, refer to "Problem solving guide - Replacing the plinth filter".</p>

Problem solving guide

Problem	Possible cause and remedy
<p>The  indicator light comes on. <i>F</i> and <i>055</i> continue to flash after a programme has been cancelled despite thorough cleaning.</p>	<p>The plinth filter looks clean after thorough cleaning. However, the programme is terminated again and the error message appears again. There are probably still deeper residues which could not be removed.</p> <ul style="list-style-type: none"> ■ To deactivate the message, turn the programme selector to the  position. ■ Check all of the possible causes described below. <p>The heat exchanger is clogged.</p> <ul style="list-style-type: none"> ■ Check the heat exchanger. Follow the instructions in "Problem solving guide - Checking the heat exchanger". <p>The plinth filter is clogged on a deeper level.</p> <ul style="list-style-type: none"> ■ Check the plinth filter. Follow the instructions in "Problem solving guide - Replacing the plinth filter". ■ If the plinth filter is not deformed or defective, you can regenerate it in the washing machine. Follow the instructions in "Problem solving guide - Regenerating the plinth filter".
<p>The  indicator light comes on after a programme has been cancelled and a signal sounds.</p>	<p>The condensed water container is full or there is a kink in the drain hose.</p> <ul style="list-style-type: none"> ■ To switch off the  indicator light, open and close the door (with the tumble dryer switched on). ■ Empty the condensed water container. ■ Check the drain hose. ■ See "Cleaning and care".
<p> lights up.</p>	<p>The programme selector has been moved.</p> <ul style="list-style-type: none"> ■ Select the original programme. The time remaining will appear in the display again.
<p>Bars flash in the display at the end of a programme: <i>---</i></p>	<p>The programme has finished but the laundry has not yet cooled down.</p> <ul style="list-style-type: none"> ■ Either remove the laundry and spread it out to cool down or leave it in the tumble dryer to cool down during the cooling phase.
<p>Lines flash and light up after switching on: <i>---</i>. Programme selection is not possible.</p>	<p>Access via a code has been activated.</p> <ul style="list-style-type: none"> ■ See "Programmable functions - <i>P07</i> PIN code".

Problem solving guide

Problem	Possible cause and remedy
<i>F</i> and another number combination flash after a programme has been cancelled, a signal sounds.	There is no obvious cause. <ul style="list-style-type: none">■ Switch the dryer off and then on again.■ Start a programme. If the programme terminates again with the same error message, then there is a fault. Contact Miele.
<i>0:00</i> lights up and the programme has been cancelled, a signal sounds.	The laundry is unevenly distributed or has rolled up. <ul style="list-style-type: none">■ Untangle the laundry and remove a few items, if necessary.■ Switch the dryer off and then on again.■ Start a programme.

Unsatisfactory drying results

Problem	Possible cause and remedy
<p>The laundry is not sufficiently dry.</p>	<p>The load consisted of different types of fabric.</p> <ul style="list-style-type: none"> ■ Finish drying using the <i>Warm air</i> programme. ■ Select a more suitable programme next time. <p>Useful tip: You can alter the drying levels for some programmes. See “Programmable functions”, sections “<i>PD1</i> Cottons drying levels”, “<i>PD2</i> Minimum iron drying levels”.</p>
<p>Laundry or feather filled pillows smell after drying.</p>	<p>The laundry was washed with insufficient detergent. Feathers are a natural product and this is quite normal.</p> <ul style="list-style-type: none"> ■ Laundry: use sufficient detergent next time. ■ Pillows: take out of the tumble dryer and aerate. ■ Use a fragrance flacon (available as an optional accessory).
<p>Items made of synthetic fibres are charged with static electricity after drying.</p>	<p>Synthetic fibres tend to attract static charge.</p> <ul style="list-style-type: none"> ■ Static charge can be reduced by adding a fabric softener to the final rinse in the washing programme.
<p>There is a build-up of fluff.</p>	<p>Fluff is principally the result of friction when garments are being worn and to some extent when they are being washed. Machine drying hardly causes any fluff to form.</p> <p>Fluff is collected by the fluff filters and the plinth filter and can be removed easily.</p> <ul style="list-style-type: none"> ■ See “Cleaning and care”.

Problem solving guide

The drying process takes a long time.

Problem	Possible cause and remedy
The drying process goes on for too long or even switches off.*	The room in which the tumble dryer is located is too warm. ■ Ventilate the room thoroughly.
	Detergent residues, hair and fine fluff can clog the filters. ■ Clean the fluff filters and the plinth filter. ■ Remove visible fluff from the heat exchanger.
	The laundry is unevenly distributed or has rolled up. The tumble dryer has been overloaded. ■ Untangle the laundry and remove a few items, if necessary. ■ Start a programme.
	The cool air intake (bottom right grille) is blocked. ■ Move any objects, such as a laundry basket, away from the dryer.
	The laundry is too damp. ■ Spin the laundry using a higher spin speed in the washing machine.
	Metallic components, e.g. zippers, have prevented the dryer from registering the correct moisture level. ■ Open the zippers next time. ■ If the problem recurs, dry these items using the <i>Warm air</i> timed drying programme.

* Switch the tumble dryer off and on again before starting a new programme.

Other problems

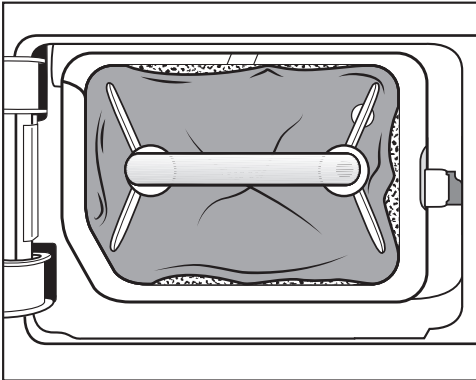
Problem	Possible cause and remedy
There are humming noises.	The compressor is operating. These noises are quite normal and do not indicate a fault.
A programme cannot be started.	<p>There is no obvious cause.</p> <ul style="list-style-type: none"> ■ Connect the tumble dryer to the mains electricity supply ■ Turn on the tumble dryer. ■ Close the door. ■ Check whether the mains fuse has tripped. <hr/> <p>Has there been a power cut? When power is restored, any previously running programme will restart automatically.</p>
Only the <i>Start/Add laundry</i> sensor flashes slowly when the programme is running.	<p>Once the programme has been running for 10 minutes, the indicators go out. The <i>Start/Add laundry</i> sensor flashes slowly. This is not a fault, but a normal function to help save energy.</p> <ul style="list-style-type: none"> ■ Touch a sensor to switch on the indicators. <p>See “Programmable functions”, section “<i>Pll</i> Control panel standby status”.</p>
The tumble dryer is switched off.	<p>The tumble dryer switches off automatically after 15 minutes if no further selections are made. This is not a fault, but a normal function.</p> <ul style="list-style-type: none"> ■ Select a programme.
The interior drum lighting does not come on.	<p>The drum lighting will switch off automatically ...</p> <ul style="list-style-type: none"> ... when the door is closed. ... after a few minutes when the door is open (to save energy). <p>If the dryer is switched on, the drum lighting will come on when the door is opened.</p>

Problem solving guide

Replacing the plinth filter

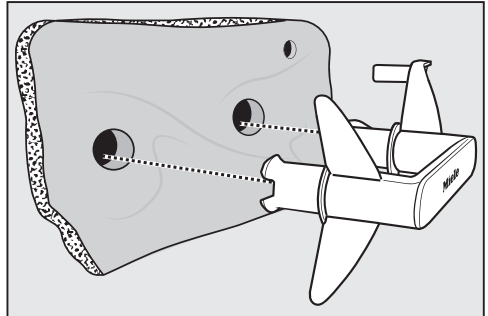
The heat exchanger can clog up. Replace the plinth filter immediately (replacement filters are available as an optional accessory) if you see the following signs of wear before or after cleaning.

Poor fit



The edges of the plinth filter do not sit properly and the filter is deformed. Fluff will blow into the heat exchanger unfiltered through edges that do not sit properly. This will eventually cause obstruction in the heat exchanger.

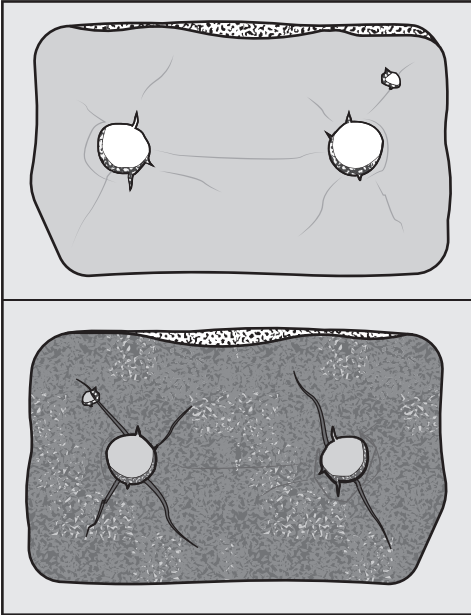
Deformations



Deformations indicate that the filter has become worn.

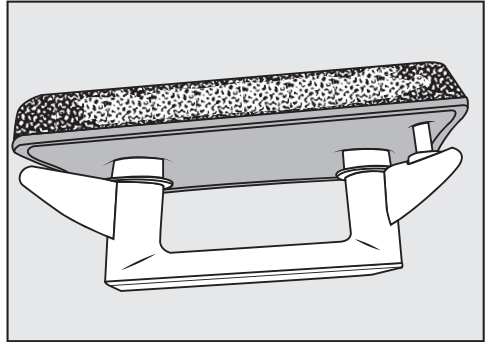
Problem solving guide

Cracks, tears, indentations



Fluff will blow into the heat exchanger unfiltered through cracks and tears and will cause obstruction. This will eventually cause obstruction in the heat exchanger.

White residues or residues of other colours



Residues arise from laundry fibres and residual detergent components. They can be found on the front and side edges of the plinth filter. In extreme cases, they can form stubborn crusts. Residues are a sign that the filter no longer has a snug fit at the sides, even if it appears to be perfect. Fluff is getting in unfiltered at the edges.

Regenerate the plinth filter (see "Problem solving guide - Regenerating the plinth filter"). If the plinth filter shows these residues again soon, the plinth filter must be replaced.

Problem solving guide

Regenerating the plinth filter

You can regenerate one or more dirty plinth filters in the washing machine. The plinth filter will be ready for use again.

Before regenerating it, check whether the plinth filter is still in good condition. Check the plinth filter in accordance with the descriptions in "Problem solving guide - Replacing the plinth filter". If the plinth filter is worn, replace it.

- Wash one or more plinth filters separately without garments. Do not add laundry detergent.
- Select a short wash programme with a maximum temperature of 40°C and a maximum spin speed of 600 rpm.

After washing and spinning, you can refit the plinth filter.

Checking the heat exchanger

⚠ Risk of injury from sharp cooling fins.

You could cut yourself.

Do not touch the cooling fins.

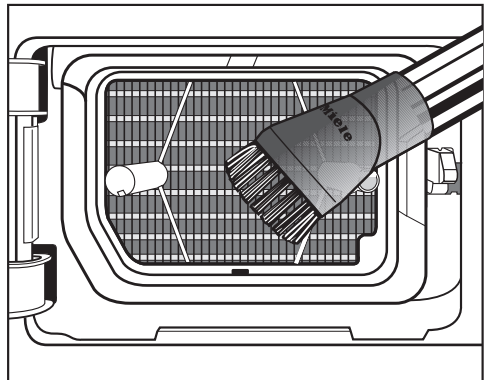
- Look to see if fluff has accumulated.

If fluff is present, it must be removed.

⚠ Damage due to incorrect cleaning of the heat exchanger.

The tumble dryer will not dry if the cooling fins are damaged or bent.

Clean using a vacuum cleaner with a dusting brush attached. Only pass the vacuum cleaner dusting brush over the fins lightly, without applying any pressure.



- Carefully vacuum up any fluff and residues.

Contact in case of fault

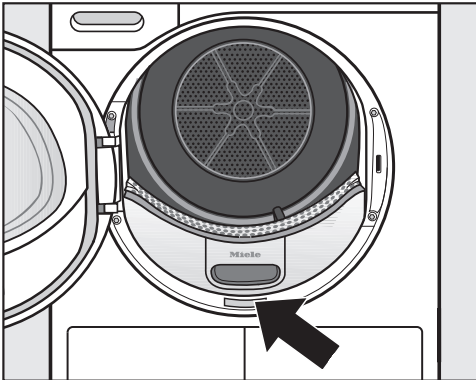
In the event of any faults which you cannot remedy yourself, please contact Miele.

You can book a Miele customer service call-out online at www.miele.com.au/service or www.miele.co.nz/service.

Contact information for Miele can be found at the end of this booklet.

Please quote the model and serial number of your appliance when contacting Miele. This information can be found on the data plate.

The data plate is visible when the door is open.



Optional accessories

Optional accessories for this tumble dryer are available from Miele (see contact details at the back of these instructions).

You also can order these and other useful products from the Miele online shop.

Drying basket

The drying basket is suspended in the drum and does not rotate with the drum. This enables items which must not be subjected to mechanical action to be dried or aired.

Fragrance flacon

Fragrance flacons can be used in your tumble dryer to add a pleasant fragrance to your laundry.

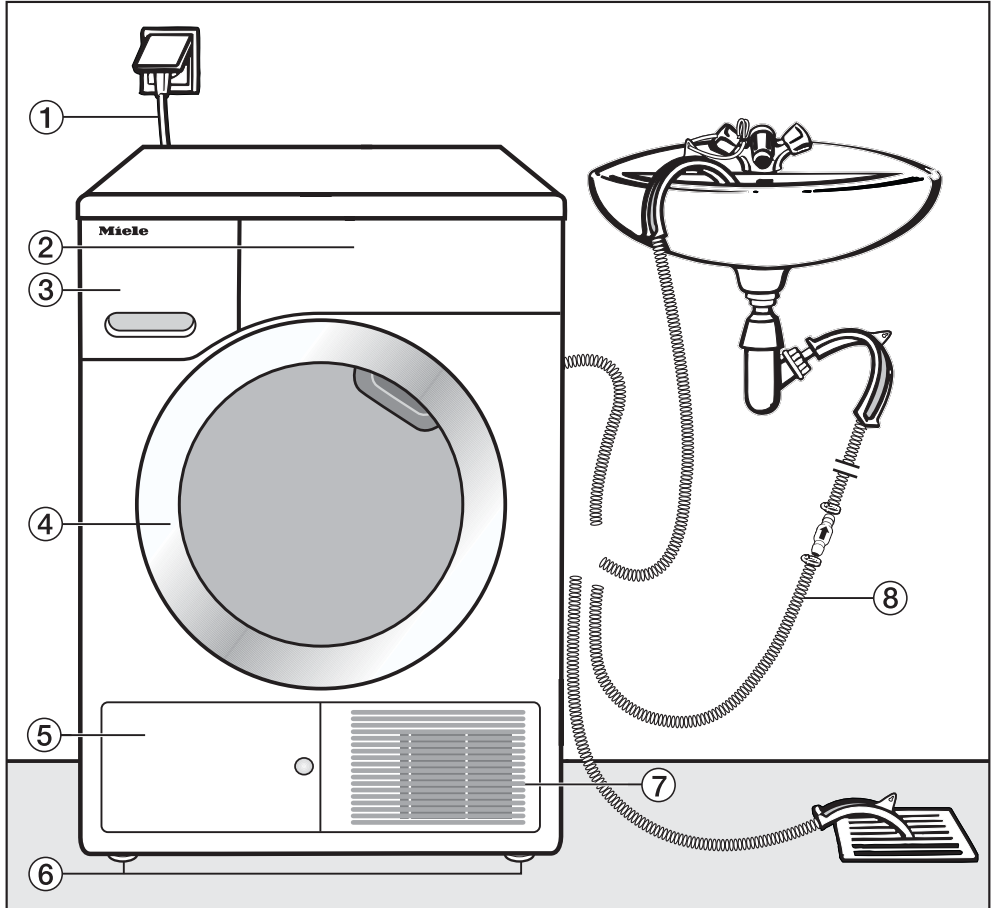
Warranty

The manufacturer's warranty for this appliance is 2 years.

For further information, please refer to your warranty booklet.

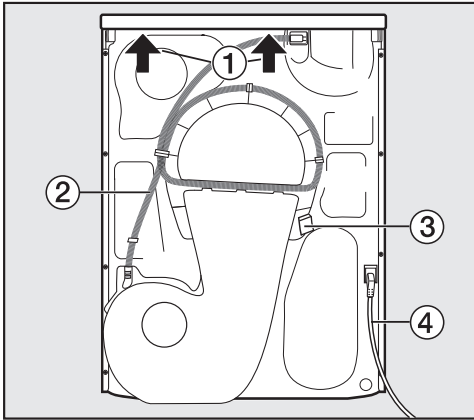
Installation

Front view



- ① Mains connection cable
- ② Control panel
- ③ Condensed water container
 - empty after every drying cycle
- ④ Door
 - do not open during drying
- ⑤ Heat exchanger access panel
 - do not open during drying
- ⑥ Four height adjustable screw feet
- ⑦ Cool air intake grille
 - do not obstruct with a laundry basket or other objects
- ⑧ Hose for external drainage of condensed water

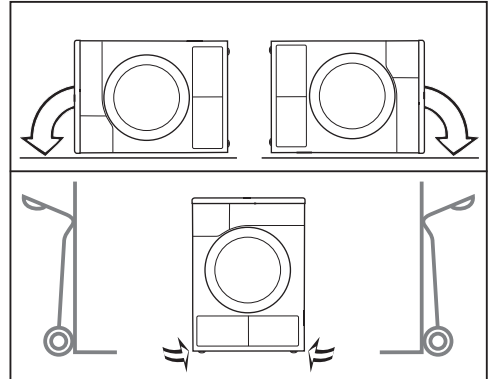
Rear view



- ① Protruding lid for holding when moving the tumble dryer (see arrows)
- ② Drain hose for condensed water
- ③ Hook for winding the mains cable around during transport
- ④ Mains connection cable

Transporting the tumble dryer

⚠ Danger of injury to people and damage to property caused by moving the appliance incorrectly. If the tumble dryer tips over, there is a danger of injury to people and damage to property. Ensure that the tumble dryer is stable during transportation.



- If the tumble dryer is being transported horizontally, it must only be tipped onto its left or right side.
- If the tumble dryer is being transported upright and you are using a handcart or trolley, you must only transport it with its left or right side resting on the handcart or trolley.

Transporting the tumble dryer to its installation site

⚠ Make sure the fixings at the back of the lid are secure.

Otherwise there is a danger of the lid being pulled off when carrying the appliance.


Before carrying the appliance, check that the lid is secure where it protrudes at the back of the appliance.

- Carry the tumble dryer by the front feet and by the lid where it protrudes at the back of the appliance.

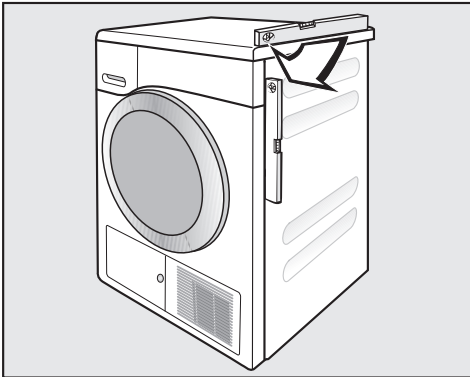
Installation

Installation

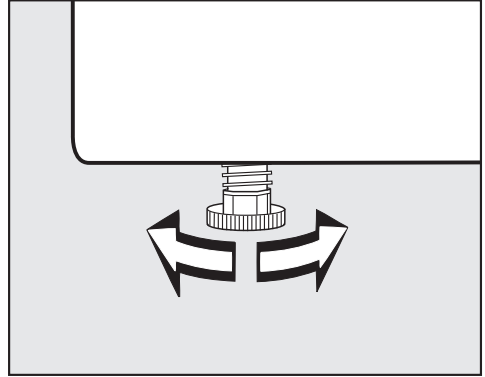
Levelling the dryer

 The appliance must not be installed behind a lockable door, a sliding door or a door with a hinge on the opposite side to that of the tumble dryer, in such a way that a full opening of the tumble dryer door is restricted.

Make sure the dryer door can be opened without hindrance after installation.




The appliance must stand perfectly level to ensure safe and proper operation.



The screw feet can be adjusted to compensate for any unevenness in the floor.



 Risk of fire and explosion due to damage to the tumble dryer.


The refrigerant is flammable and explosive.

Do not make any alterations to the tumble dryer. Take measures to protect the tumble dryer against damage.

If the tumble dryer is damaged, proceed as follows:

- Avoid naked flames or anything which creates a spark.
- Disconnect the dryer from the electricity supply.
- Air the room where the tumble dryer is located.
- Contact Miele Customer Service.

Downtime after installation

 Damage to the tumble dryer by switching it on too soon.

This can damage the heat pump. After setting up the tumble dryer, wait for at least one hour before switching it on.

Installation

Ventilation

The cool air intake at the front of the tumble dryer must not be blocked or covered. This would hinder a sufficient intake of cool air for the heat exchanger.

Do not block the gap between the bottom of the tumble dryer and the floor with plinth facings, deep pile carpet etc. This would hinder a sufficient flow of air to the tumble dryer.

Adequate ventilation has to be provided to avoid the backflow of gases into the room from appliances burning other fuels, including open fires.

Air which is taken in to cool the heat exchanger is then blown back out of the dryer and warms up the air in the room. Ensure sufficient ventilation of the room, e.g. by opening a window. The drying time will otherwise take longer (higher energy requirement).

The heat pump that is essential to the operation of this tumble dryer generates a lot of heat inside its casing. It must be possible to dissipate this heat well.


Otherwise loads could take longer to dry or the tumble dryer might sustain damage in the long term.

Permanent room ventilation during every drying programme and the ventilation gap between the bottom of the tumble dryer and the floor are mandatory requirements at all times.

Before moving the tumble dryer again (e.g. when moving house)

After each use a small quantity of condensed water will collect in the area of the pump. This water can run out if the tumble dryer is tipped up when it is being moved. Recommendation: Run the *Warm air* programme for approximately 1 minute without a load before moving the tumble dryer. Any remaining condensed water will then be fed into the condensed water container, which can then be emptied, or can drain out through the drain hose.

Additional installation requirements

 Risk of injury from an electrical shock when the appliance lid is removed.

There is a risk of electric shock because electrically charged components in the dryer are accessible with the lid removed.

For safety reasons, the tumble dryer must be disconnected from the electricity supply.

Suitable for pushing under a worktop

Appliance defect due to a build-up of heat.

Make sure there is adequate room for warm air from the dryer to be directed away.

This tumble dryer is suitable for pushing under a worktop if there is space to do this without removing the lid.

- The appliance lid must not be removed.
- The electrical socket must be located in an accessible position near the appliance.
- Drying durations may increase slightly.

Optional accessories

– Building-under kit

A building-under kit is required if the tumble dryer lid needs to be removed in order to build it under a worktop.

It must be installed/dismantled by a suitably qualified fitter.

The cover plate included in the building-under kit replaces the appliance's lid. The cover plate has to be fitted for electrical safety!

Fitting instructions are supplied with the building-under kit.

– Washer-dryer stack

The tumble dryer can also be combined with a Miele washing machine in a washer-dryer stack. The appropriate Miele washer-dryer stacking kit is required.

– Plinth

The tumble dryer can be fitted with a plinth with drawer (please note the plinth may not be available in all countries).

Installation

Externally draining condensed water

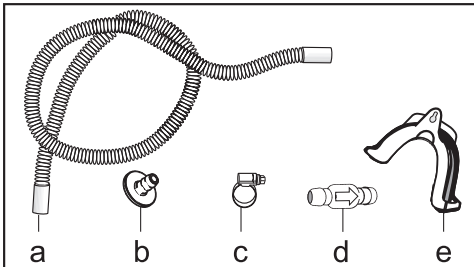
Notes

When drying is in progress, condensed water is pumped into the condensed water container through the drain hose which is located at the back of the dryer.

The condensed water can also be drained away via the drain hose. The condensed water container will then not need to be emptied.


Hose length: 1.49 m
Maximum delivery head: 1.00 m
Maximum drain hose length: 4.00 m

Drainage accessories



- Supplied: adapter (b), hose clip (c), hose holder (e);
- Available to purchase: “Non-return valve” kit for connection to an external water connection. Non-return valve (d), hose extension (a) and hose clips (c) are supplied with the kit.

Installation conditions requiring a non-return valve

 Danger of condensed water backflow.

Water could flow back into the tumble dryer or be drawn into it. Backflow water could damage the tumble dryer and also the room in which it is located.

The non-return valve should be used if the end of the hose is immersed in water, or if other water connections are installed.

Maximum delivery head with non-return valve fitted: 1.00 m

Installation conditions requiring the fitting of a non-return valve:

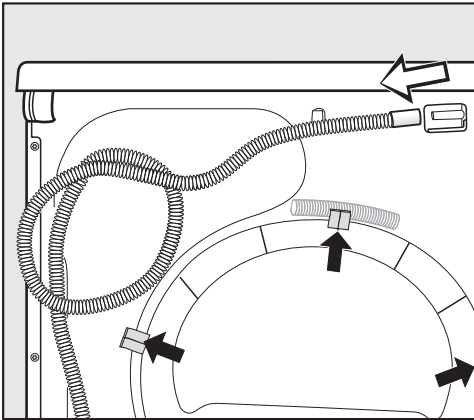
- Drainage into a laundry tub or floor gully where the end of the hose is immersed in water.
- Connection to a sink drain outlet.
- Connection to a drainage system already in use by another appliance, e.g. a dishwasher or washing machine.

If the non-return valve is incorrectly fitted the appliance will not drain. The non-return valve has to be fitted with the arrow on it pointing in the direction of flow.

Arranging the drain hose

⚠ Damage to the drain hose through incorrect handling. The drain hose can suffer damage and leak. Do not pull on the drain hose and do not stretch it or allow it to become kinked.

There will be a small amount of residual water left in the drain hose. Have a container ready to collect this.

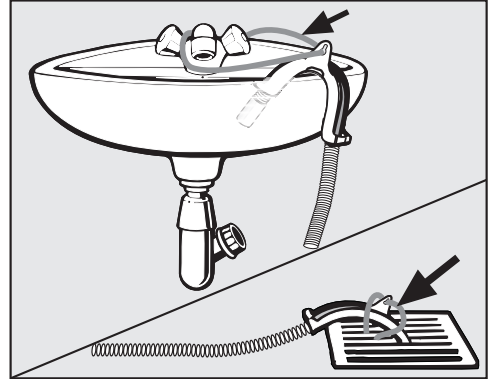


- Pull the drain hose off its connection (light arrow).
- Pull the hose out of the holders (dark arrows) and unwind it.
- Allow any residual water to run into a container.

Examples

Drainage into a laundry tub or floor gully

Use the hose holder to secure the drain hose.



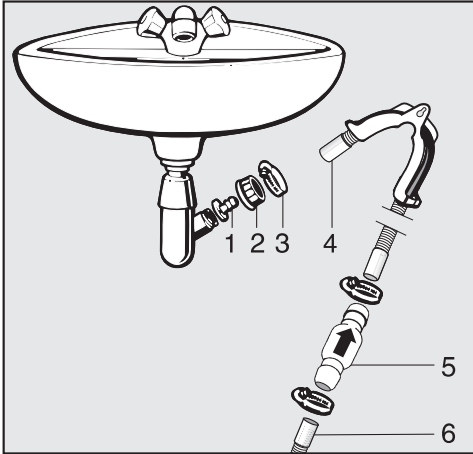
⚠ Risk of water damage. Should the end of the hose come loose, overflowing water can cause damage. Secure the drain hose carefully (e.g., by tying it) to make sure it cannot slip.

The non-return valve can be fitted in the end of the hose.

Installation

Direct connection to a sink drain outlet

Use the hose holder, the hose clips and the non-return valve (available to purchase).



1. Adapter
2. Nut
3. Hose clip
4. End of the hose (secured with the hose holder)
5. Non-return valve
6. Tumble dryer drain hose

- Fit the adapter **1** to the sink drain outlet using the nut **2**.
The nut is usually fitted with a washer which must be removed.
- Attach the end of the hose **4** to the adapter **1**.
- Use the hose holder.
- Use a screwdriver to tighten the hose clip **3** up close to the nut.
- Fit the non-return valve **5** to the tumble dryer drain hose **6**.

The non-return valve **5** has to be fitted so that the arrow points in the direction of flow (i.e. towards the sink).

- Secure the non-return valve using hose clips.

Electrical connection

The tumble dryer is supplied with a mains cable with moulded plug ready for connection to a socket.

The socket should be easily accessible after the tumble dryer has been installed. If the socket is not easily accessible, ensure that a suitable means of disconnection is provided on the installation side for each pole.



Risk of fire from overheating.
Connecting the tumble dryer to a multi-socket plug adapter or to an extension lead can overload the cable.
For safety reasons, do not use an extension cable or multi-socket adapter.

All electrical work must be carried out by a suitably qualified and competent person in strict accordance with national and local safety regulations.

For safety reasons, we recommend using a suitable residual current device (RCD) in the relevant electrical installation for connecting the tumble dryer.

If the mains connection cable is damaged, it must only be replaced with a specific mains connection cable of the same type (available from Miele). For safety reasons, such replacement may only be carried out by a suitably qualified and competent electrician or a Miele authorised service technician, in order to avoid a hazard.

These operating instructions and the data plate indicate the nominal power consumption and the connection data. Compare this information with the data of the on-site electrical connection. If in any doubt, consult a qualified electrician.


Temporary or permanent operation with a self-sufficient or non-mains synchronous energy supply system (e.g. isolated networks, back-up systems) is possible. A requirement for the operation is that the energy supply system complies with all current local and national requirements that apply to stand-alone, solar and/or battery systems.

The protective measures provided in the domestic installation and in this Miele product must also be assured in their function and operation in isolated operation or in non-mains synchronous operation, or replaced with equivalent measures in the installation. For example, as described in the current publication of VDE-AR-E 2510-2.

Technical data

Height	850 mm
Width	596 mm
Depth	640 mm
Depth with door open	1054 mm
Height for building under	820 mm (+8/-2 mm)
Width for building under	600 mm
Depth for building under	600 mm
Suitable for pushing under a worktop	Yes
Stackable	Yes
Weight	Approx. 62 kg
Drum volume	120 l
Load capacity	7.0 kg (weight of dry laundry)
Capacity of condensed water container	4.8 l
Hose length	1.49 m
Maximum delivery head	1.00 m
Maximum drain hose length	4.00 m
Length of connection cable	2.00 m
Supply voltage	See data plate
Rated load	See data plate
Fuse rating	See data plate
Test certificates awarded	See data plate
Energy consumption	See "Consumption data"
LEDs	Class 1

Consumption data

	Load ¹	Final spin speed in a domestic washing machine	Residual moisture	Energy	Duration
	kg	rpm	%	kWh	min.
Cottons 	7.0	1,000	60	1.70	155
	3.5	1,000	60	0.96	95
Cottons Normal	7.0	1,200	53	1.50	140
	7.0	1,400	50	1.45	133
	7.0	1,600	44	1.30	118
Cottons Normal incl. Gentle tumble	7.0	1,000	60	1.75	165
Cottons Hand iron	7.0	1,000	60	1.25	120
	7.0	1,200	53	1.10	105
	7.0	1,400	50	1.00	98
	7.0	1,600	44	0.85	83
Minimum iron Normal	4.0	1,200	40	0.50	65
Minimum iron Normal incl. Gentle tumble	4.0	1,200	40	0.50	66
Delicates Normal	2.5	800	50	0.50	65
Woollens handcare	2.0	1,000	50	0.02	5
Shirts Normal	2.0	600	60	0.46	60
Express Normal	4.0	1,000	60	0.85	100
Denim Normal	3.0	900	60	0.95	115
Proofing Normal	2.5	800	50	0.75	95
¹ Weight of dry laundry					
All data was calculated using EN 61121 unless otherwise stated.					

Consumption data can vary from the nominal values given above depending on the size of the load, types of textiles, residual moisture levels after spinning and fluctuations in the electricity supply, or when water hardness levels differ from specified values.

Using the Cottons Extra dry programme is recommended for a mixed cotton load and is the programme used in energy consumption tests according to AS/NZS 2442 (Refer to <http://www.energyrating.gov.au> website for consumption data).

Programmable functions

Programming

You can use the programmable functions to alter the dryer's electronics to suit your requirements.

Programming is carried out by following these steps (1, 2, 3 ... 9) using the sensors.

Accessing the programming level

Before you begin, ensure the following:

- Make sure that the programme selector is turned to any of the programme settings.
 - The door of the dryer is open.
- 1 Touch the *Start/Add laundry* sensor and hold it down whilst carrying out steps 2–3.
 - 2 Close the tumble dryer door.
 - 3 Wait until the *Start/Add laundry* sensor, which will now be flashing quickly, lights up constantly ...
 - 4 ... then release the *Start/Add laundry* sensor.

P01 will light up in the time display.

Choosing and selecting programmable functions

The number of the programmable function will appear in the display as *P* and a number: e.g. *P01*.

- 5 Touch the > or < sensor to scroll to the next or previous programmable function:

Programmable function	
<i>P01</i>	Cottons drying levels
<i>P02</i>	Minimum iron drying levels
<i>P04</i>	Cooling temperature
<i>P05</i>	Keypad tone
<i>P07</i>	PIN Code
<i>P08</i>	Conductivity
<i>P11</i>	Control panel standby status
<i>P13</i>	Memory
<i>P14</i>	Anti-crease
<i>P20</i>	Airways indicator
<i>P22</i>	Backlight brightness dimmed

- 6 Confirm the selected programmable function by touching the *Start/Add laundry* sensor.

Editing and saving the programmable function

You can switch a programmable function on or off or select different options.

The programmable function option will appear in the time display as - and a number:
e.g. -00.

- 7 Touch the > or < sensor to switch the programmable function on/off or to select an option:

Programmable function	Available options							
	-00	-01	-02	-03	-04	-05	-06	-07
	P01		X	X	X	✓	X	X
P02		X	X	X	✓	X	X	X
P04		X	X	X	X	to	-16	✓
P06	X	✓	X					
P07	✓	X						
P08		✓	X					
P11	X	✓						
P13	✓	X						
P14	X	X	✓					
P20	X	X	✓	X				
P22		X	✓	X	X	X	X	X


X = can be selected

✓ = factory default setting

- 8 Confirm your selection with the *Start/ Add laundry* sensor.

The number of the programmable function, e.g. P01, will light up again.

Exiting the programming level

- 9 Turn the programme selector to the  position.

The settings have been changed. You can alter the settings again at any time.

Programmable functions

P01 Cottons drying levels

You can adjust the drying levels for the *Cottons* programme to one of 7 different levels.

Options

- 01 = even damper
- 02 = damper
- 03 = a little damper
- 04 = **factory setting**
- 05 = a little drier
- 06 = drier
- 07 = even drier

Exception:

The *Cottons* programme will remain unchanged.

P02 Minimum iron drying levels

You can adjust the drying levels for the *Minimum iron* programme to one of 7 different levels.

Options

- 01 = even damper
- 02 = damper
- 03 = a little damper
- 04 = **factory setting**
- 05 = a little drier
- 06 = drier
- 07 = even drier

P04 Cooling temperature

The laundry will be cooled to 55 °C before the end of the programme. It can be cooled to a lower temperature, but this will prolong the cooling phase.

The level is set in increments of 1 °C.

- 15 = **factory setting 55 °C**
- 15 = 54°C
- 14 = 53°C
- 13 = 52°C
- 12 = 51°C
- 11 = 50°C
- 10 = 49°C
- 09 = 48°C
- 08 = 47°C
- 07 = 46°C
- 06 = 45°C
- 05 = 44°C
- 04 = 43°C
- 03 = 42°C
- 02 = 41°C
- 01 = 40°C

P06 Keypad tone

The tone that sounds when a sensor is pressed can be changed or switched off.

Options

- 00 = Off
- 01 = **Factory default setting**
- 02 = Louder

P07 PIN Code

The code prevents your machine being used without your knowledge.

When the code has been activated, you have to enter the code after switching the dryer on. Otherwise the dryer cannot be operated.

Options

-00 = **Off (factory setting)**

-01 = On

If option -01 has been selected, after switching on you will have to enter the code before you can operate the dryer.

Using the dryer when the code is activated

After the dryer is switched on, --- will flash in the time display.

The code is 250 and cannot be altered.

- Touch the > sensor until a 2.. flashes in the first position.
- Confirm with the *Start/Add laundry* sensor.
- Enter the two other numbers in the same way.

The dryer is ready for use after 250 has been entered and confirmed.

P08 Conductivity

This programmable function should only be altered if the water is so soft that it is likely to cause the electronics which sense residual moisture in the laundry to give false readings.

Options

-01 = **Off (factory setting)**

-02 = low

Important

This programmable function should only be set if the water used for washing the laundry is extremely soft with a conductivity reading (electrical conductivity) of less than 150 µS/cm. To find out the conductivity level of your mains water, contact your local water authority.

Make sure that you only activate -02 for the condition described above. Otherwise, drying results can be unsatisfactory.

Programmable functions

P11 Control panel standby status

To save energy, the time display and the sensors will go out once the programme has been running for 10 minutes. In this case, the *Start/Add laundry* sensor flashes slowly.

However, there is no switch-off in the event of a fault.

Options

-00 = Off

The time display and the sensors do not go out.

-01 = **On (factory setting)**

The time display and the sensors will go out once the programme has been running for 10 minutes.

“Switch on” display again

- Touch the *Start/Add laundry* sensor. This will not affect a running programme.

P13 Memory

You can set the following: The electronics will memorise the drying level and any options selected for the current drying programme. It will also memorise the duration of the *Warm air* programme. When the programme is selected again, these memorised settings will appear in the display.

Options

-00 = **Off (factory setting)**

-01 = On

Exception:

The *Cottons*  programme will remain unchanged.

P14 Anti-crease

After the programme has finished, the drum will continue to rotate at intervals for a max. of 2 hours. This helps prevent creasing if the laundry is not removed immediately after the end of the programme. The duration can be shortened.


Options

-00 = no Anti-crease

-01 = 1 hour




-02 = **2 hours (factory setting)**

P20 Airways indicator

Fluff must be removed after every drying programme. In addition, this indicator will remind you to clean the filters when a certain amount of fluff has collected in them: 
You can decide at what level of fluff this reminder should be given.

You will have an idea of how often this should be done after a few drying programmes.

Options

- 00 = Off
 does not light up. However, if there is a very severe blockage in the ducting, the programme will be cancelled and the error message *F 055* will appear in the display regardless of this option.
- 01 = Heavy
 lights up when there is a heavy build-up of fluff.
- 02 = **Normal (factory setting)**
- 03 = Light
 lights up when there is only a small build-up of fluff.

P22 Backlight brightness dimmed

The brightness of the dimmed sensors in the control panel can be set to one of 7 different levels.

The brightness will change as soon as a different setting is chosen.

Options

- 01 = darkest level
- 02 = **factory setting**
- ...
- 07 = brightest level

Miele Australia Pty. Ltd.

ACN 005 635 398
ABN 96 005 635 398

Miele Head Office Melbourne:

Level 4, 141 Camberwell Road
Hawthorn East, VIC 3123

Miele Experience Centre Doncaster:

1136/7 Doncaster Shopping Centre
619 Doncaster Rd, Doncaster, VIC 3108

Miele Experience Centre South Melbourne:

206-210 Coventry Street
South Melbourne, VIC 3205

Miele Experience Centre and Office Sydney:

3 Skyline Place
Frenchs Forest, NSW 2086

Miele Experience Centre and Office Brisbane:

Tenancy 4C, 63 Skyring Terrace
Newstead, QLD 4006

Miele Experience Centre Gold Coast:

131 Ferry Road
Southport, QLD 4215

Miele Experience Centre and Office Adelaide:

83-85 Sir Donald Bradman Drive
Hilton, SA 5033

Miele Experience Centre and Office Perth:

205-207 Stirling Highway
Claremont, WA 6010

1300 464 353 (1300 4 MIELE)

www.miele.com.au

Miele New Zealand Limited

IRD 98 463 631

**Miele Experience Centre
and Head Office Auckland:**

8 College Hill
Freemans Bay, Auckland 1011

**Miele Experience Centre
Wellington:**

183 Featherston Street
Wellington 6011

0800 464 353 (0800 4 MIELE)

www.miele.co.nz

**Miele Global Headquarters
Germany**

Miele & Cie. KG

Carl-Miele-Straße 29
33332 Gütersloh
Federal Republic of Germany

TCB 140 WP

en-AU, NZ

M.-Nr. 12 127 360 / 00