



# Rangecraft Rangehood Installation Instructions

December 2018



## IMPORTANT INFORMATION

Rangecraft rangehoods can be installed at 600mm above the trivets of a gas hotplate.

Over an induction cooktop the minimum should be 750mm, with the exception of the RPEP, which must be installed at 600mm

1. The installation of Rangecraft Rangehoods must comply with the information in this booklet. Rangecraft Rangehoods are designed and made to work efficiently over all domestic cookware available on the Australian market.
2. Every Rangecraft Rangehood must be ducted by the use of stainless, zinc-alume duct or non-porous and non-flammable materials. **Do not use any type of flexible ducting or plastic PVC piping.**
3. Rangecraft Rangehoods must be ducted in duct work equivalent to the outlet of the rangehood ie: The cross sectional area of the rangehood outlet and the duct work must be equal. Do not reduce the duct size or have sharp bends. Advice from CONDARI is available to ensure optimum performance. Always use nonflammable materials to minimise the risk of fire in the duct.
4. Ensure all ducting pieces are correctly fitted and sealed with either duct tape or silicone to ensure that fumes do not escape into the ceiling space and seep into living areas through vents or light fittings. The installation and fitting of the rangehood and plasma filter should be done in such a way that will allow the unit to be removed if service is required. Additional costs incurred in the removal of wall tiles, damage to walls or bench tops are not covered by warranty.
5. **Always adequately ventilate the room when the rangehood is in use at the same time as appliances burning gas or other fuels.**
6. **WARNING:** Incorrect venting will result in additional noise and a reduction in efficiency. Exhaust air must not be discharged into any chimney or flue, which may carry combustible products from other sources.
  - a. Do not discharge the air-flow from the rangehood into a flue used for exhausting fumes from burning gas or fuel;
  - b. Some parts of the rangehood may become hot when cooking;
  - c. This appliance is not intended for use by persons (including children) with reduced physical, sensory or mental capabilities, or lack of experience and knowledge, unless they have been given supervision or instruction concerning use of the appliance by a person responsible for their safety.
7. Do not flambé under the rangehood.
8. If the supply cord is damaged, an authorised service centre or licensed electrician must replace it.
9. The lights in the rangehoods are LED and come with a night light
10. To reduce the risk of fixing screws coming in contact with live parts, do not drill or screw into the rangehood. Live wires are encapsulated where possible to prevent user contact. If necessary drill from the inside out and only through single sheet material.
11. Rangecraft domestic rangehoods are not to be used over barbecues approved for outdoor use only, with a Mega Joule rating of 50mj and over.
12. CONDARI make a range of hoods specifically for outdoor barbecues in alfresco areas under the CONDOR name.
13. CONDARI can manufacture rangehoods to be used over commercial cookers in domestic applications.

## MODELS AVAILABLE

**RPCP 60-1 T** Compact 60cm rangehood, top ducted  
**RPCP 90-1 T** Compact 90cm rangehood, top ducted

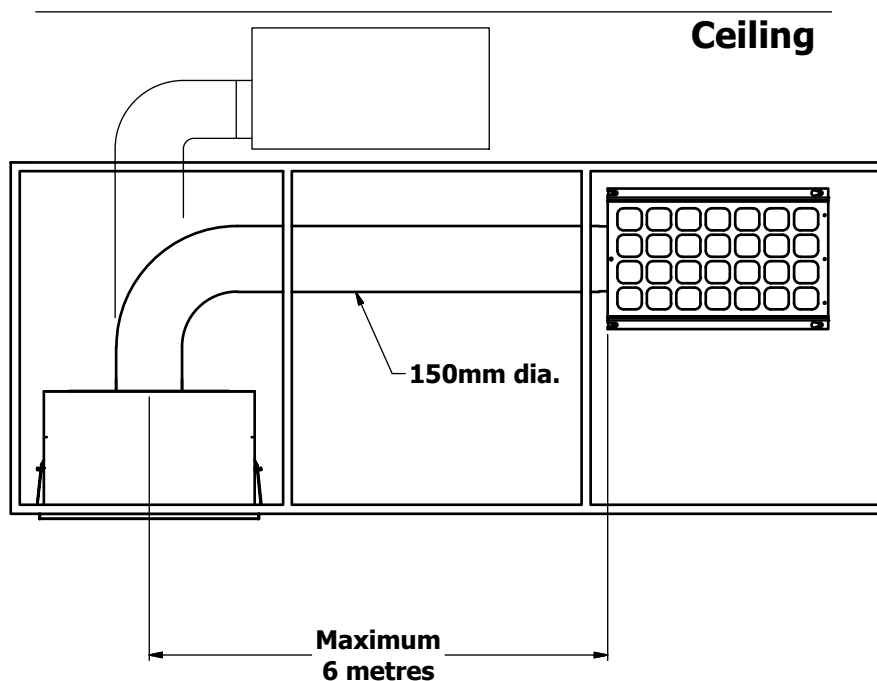
**RPUC 60-1 T** Undercupboard 60cm rangehood, top ducted  
**RPUC 90-1 T** Undercupboard 90cm rangehood, top ducted

Rangehoods suitable over induction cooktops

**RPWP 60-1 T** Undercupboard 60cm rangehood, top ducted  
**RPWP 100-1 T** Undercupboard 100cm rangehood, top ducted

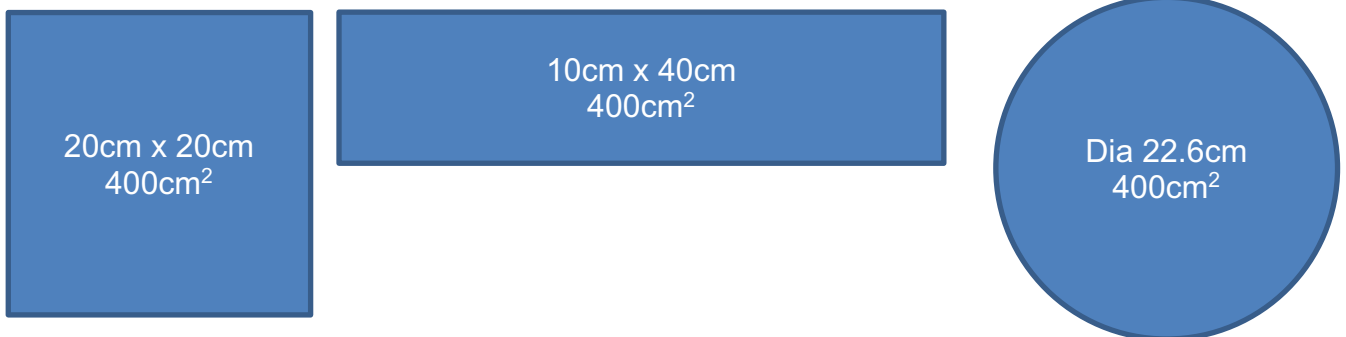
**RPEP 60-1 T** Undercupboard 60cm rangehood, top ducted  
**RPEP 100-1 T** Undercupboard 100cm rangehood, top ducted

- Height required to accommodate Plasma filter will vary depending on Plasma unit used – See page (4) for details
- The Plasma can be installed up to 6 metres from rangehood
- Return air **MUST** recirculate back into the same room via a vent in the cabinetry / ceiling / bulkhead
- The Plasma vent must be a minimum 400cm<sup>2</sup> to allow for adequate return of the air into the room
- Plasma filters can be installed on an angle
- Plasma filters must be easily accessible for maintenance.
- Use only rigid ducting



## Rangecraft Rangehood Return Air Opening

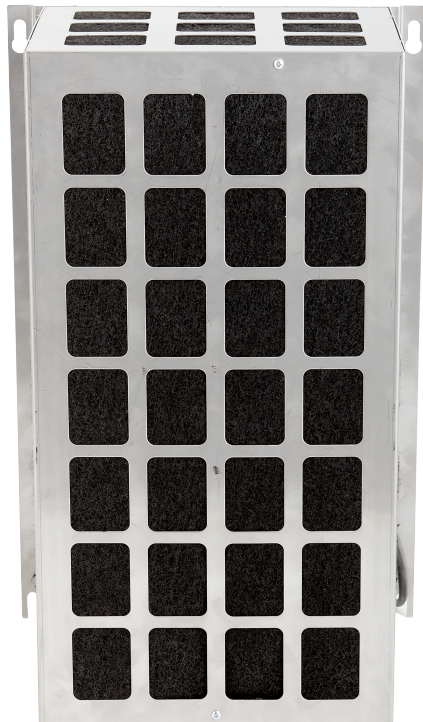
The Cabinet/Bulkhead that houses the Plasma Unit of the Rangecraft Rangehood must have an opening in it to allow air to recirculate back into the room. This opening must have an unobstructed **minimum** area of 400cm<sup>2</sup>. For example, this opening may be 20cm X 20cm or 16cm X 25cm or 10cm X 40cm for each Plasma unit installed. This opening may be on the top, front or side of the cabinet, it may be orientated vertically or horizontally as long as its in the same room as the Rangehood. The opening must not be made in the bottom of an overhead cabinet.



Please note 400cm<sup>2</sup> is the minimum opening requirement, Condari advises that the return air opening should be as large as practically possible for the application, to reduce the possibility of air noise from the air returning to the kitchen.



## Maintaining your Plasma-Norm

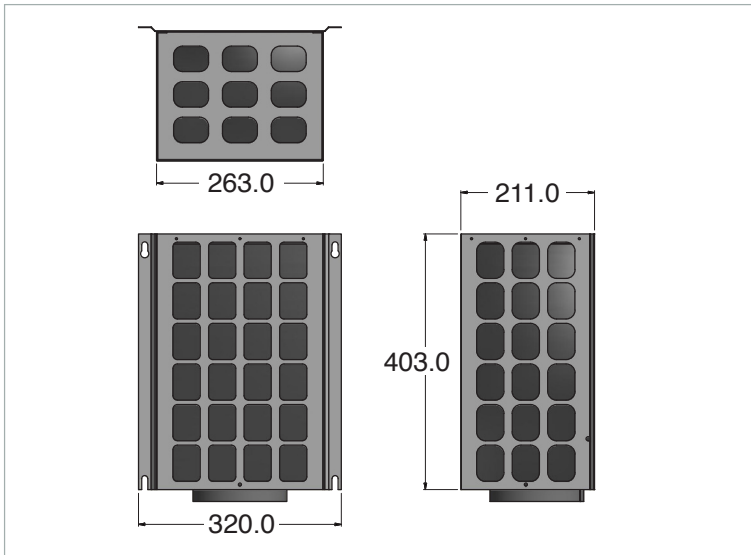


**A qualified person should only carry out Rangecraft servicing.**

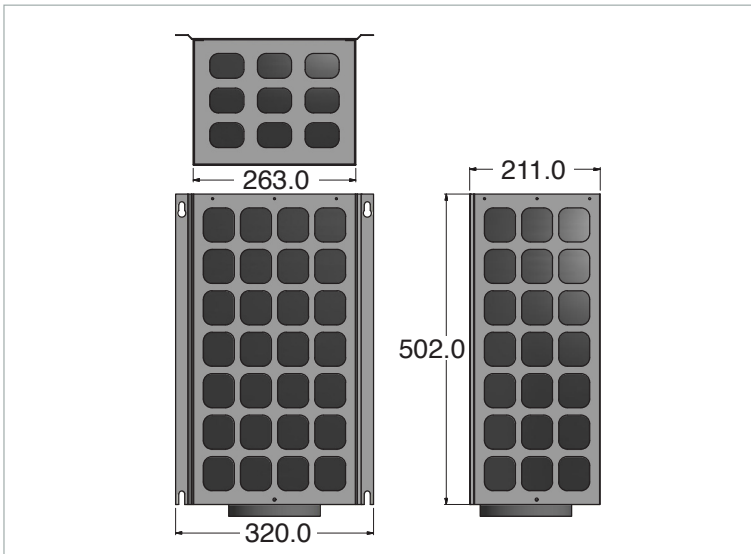
**THE CARBON FILTER SHOULD BE REPLACED EVERY 4-5  
YEARS DEPENDING ON USE.**

There are 3 Plasma filters available

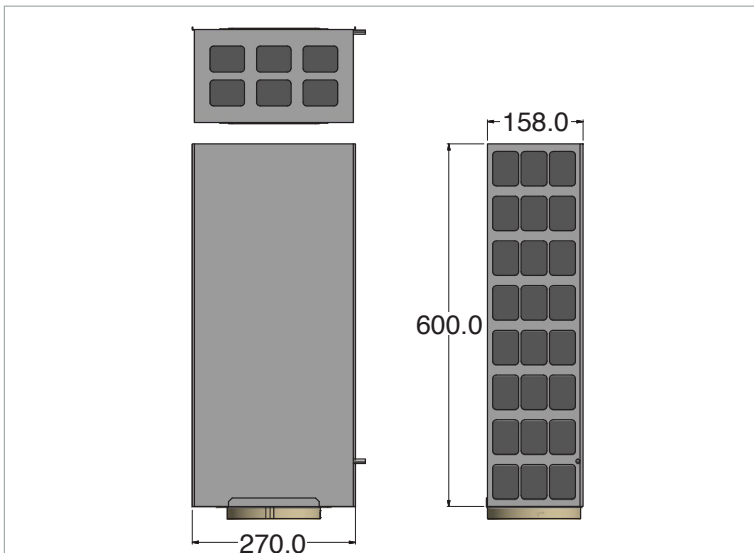
PNF 143-2 Filter



PNF 103-2 Filter



PNF 220-1 Filter



Installation instructions Rangecraft Rangehoods  
Fitted with Plasma-Norm Filter

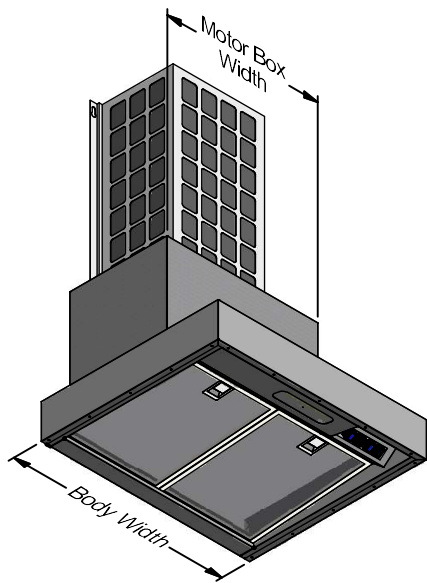


MODEL	R/HOOD SIZE	BASE SIZE	PROUD MOUNT CUT OUT DIMENSION	FLUSH MOUNT CUT OUT DIMENSION
RPUC 60-1 T	243 X 580	280 X 600	258 X 585	280 X 600
RPUC 90-1	243 X 880	280 X 900	258 X 885	280 X 900
RPWP 60-1 T	290 X 565	330 X 600	300 X 570	330 X 600
RPWP 100-1 T	290 X 980	330 X 1000	300 X 985	330 X 1000
RPEP 60-1 T	290 X 565	330 X 600	300 X 570	330 X 600
RPEP 100-1 T	290 X 980	330 X 1000	300 X 985	330 X 1000

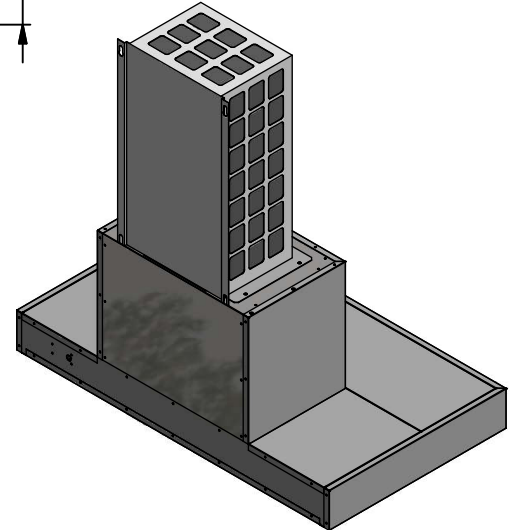
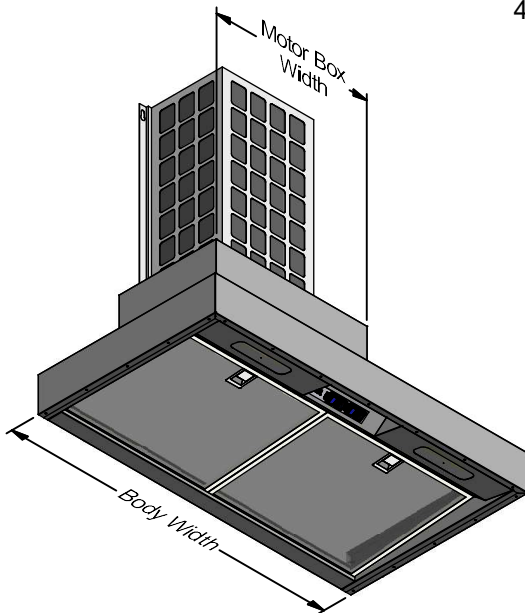
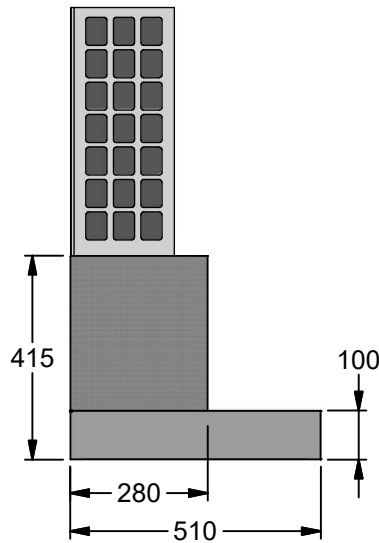
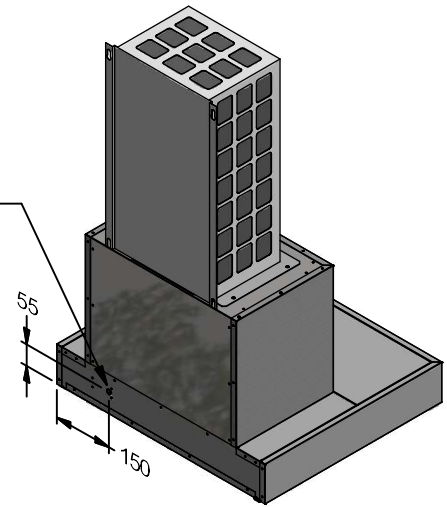
## Installation instructions

- **RPCP**

1. Prepare wall by marking level line at desired height above cooktop.
2. Plumb line from centre of cooktop to ceiling and mark flue cut out.
3. Mark level line for base of canopy 700-800mm above bench 750mm desirable.
4. Position mounting bracket on wall and fix with four screws.
5. Locate solid fixing point in wall to support rangehood. If there is no solid fixing point it will have to be placed in the wall before proceeding. Condari recommend at least four (4) fixing points.
6. Drill holes in back of unit at suitable fixing points.
7. Drill 20mm hole in the rear of unit for 240 volt power cable as close as possible to junction or use hole below the junction box.
8. Install the Plasma unit on top of the Rangehood and plug in the connector.
9. If the Plasma is being installed remotely from the rangehood, fit required 150 diameter rigid duct pieces and use PEL extension lead for the Plasma filter.
10. Ensure to follow Plasma filter rules located on page 1



Power entry location is the same for all RPCP models.



Model	RPCP 60-1	RPCP 90-1	Model	RPCP 60-1	RPCP 90-1
Body Width	600mm	900mm	Filter Size	272mm x 355mm	422mm x 355mm
Motor Box / Flue Width	435mm	435mm	Conversion Top/Back Back/Top	NO	NO
Motor Qty	1	1	Electrical Connection	Junction Box	Junction Box
LED Light	Cool	Cool	Minimum Height (H =)	N/A	N/A
Nightlight	YES	YES	Maximum Height (H =)	N/A	N/A
Light Qty	1	2	PowderKote® Available	N/A	N/A
Light Centres	Centre	525mm	All-thread Fixing Centres	N/A	N/A
Filter Qty	2	2	Corner Type	Square	Square
			Condari Pty Ltd.	Version: B 18/08/2017F Page 1 of 1	

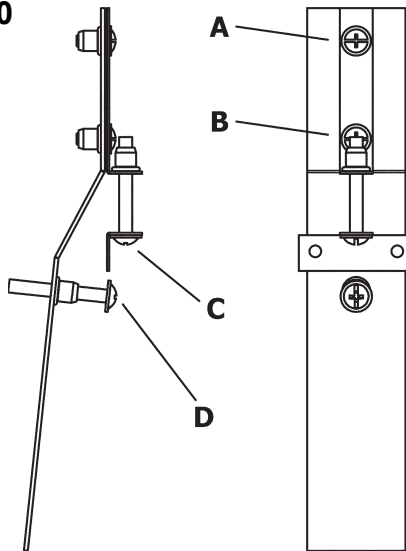
## Installation instructions

- **RPUC**

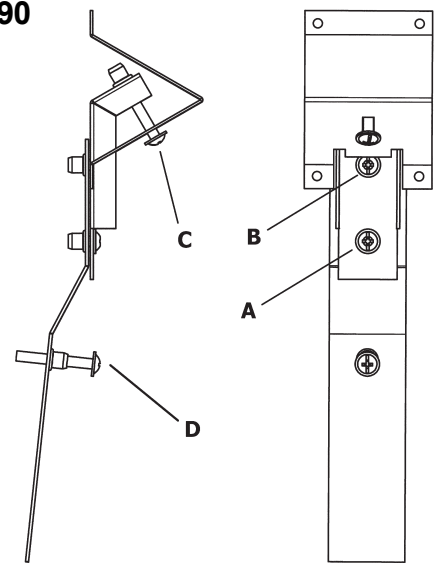
1. Loosen screws A & B by turning anti-clockwise.
2. Turn screw D anti clockwise to extend the outer spring bracket.
3. Insert rangehood into cut out and turn screw C clockwise to align with cupboard base.
4. Do not over tighten.
5. Tighten screw A by turning clockwise to lock fixing bracket.
6. To remove rangehood, turn screw D clockwise.
7. Install the Plasma unit on top if the Rangehood and plug in the connector.
8. If the Plasma is being installed remotely from the rangehood, fit required 150 diameter rigid duct pieces and use PEL extension lead for the Plasma filter.
9. Ensure to follow Plasma filter rules located on page 1

## RANGEHOOD SPRING BRACKETS

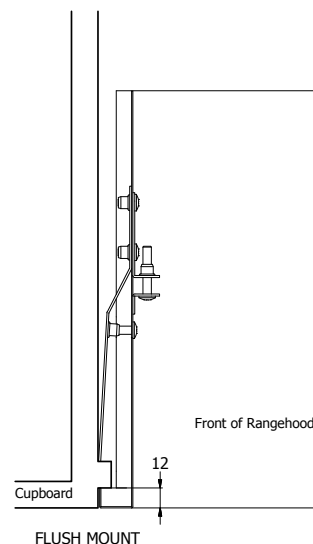
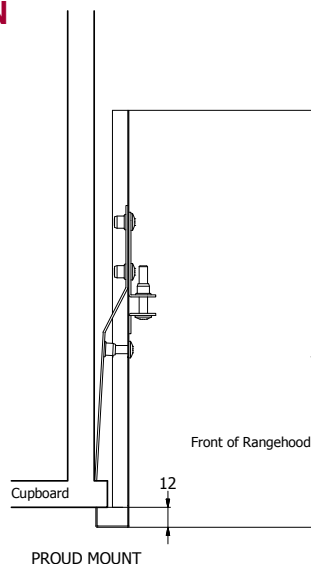
Models: **RPUC 60**



Models: **RPUC 90**

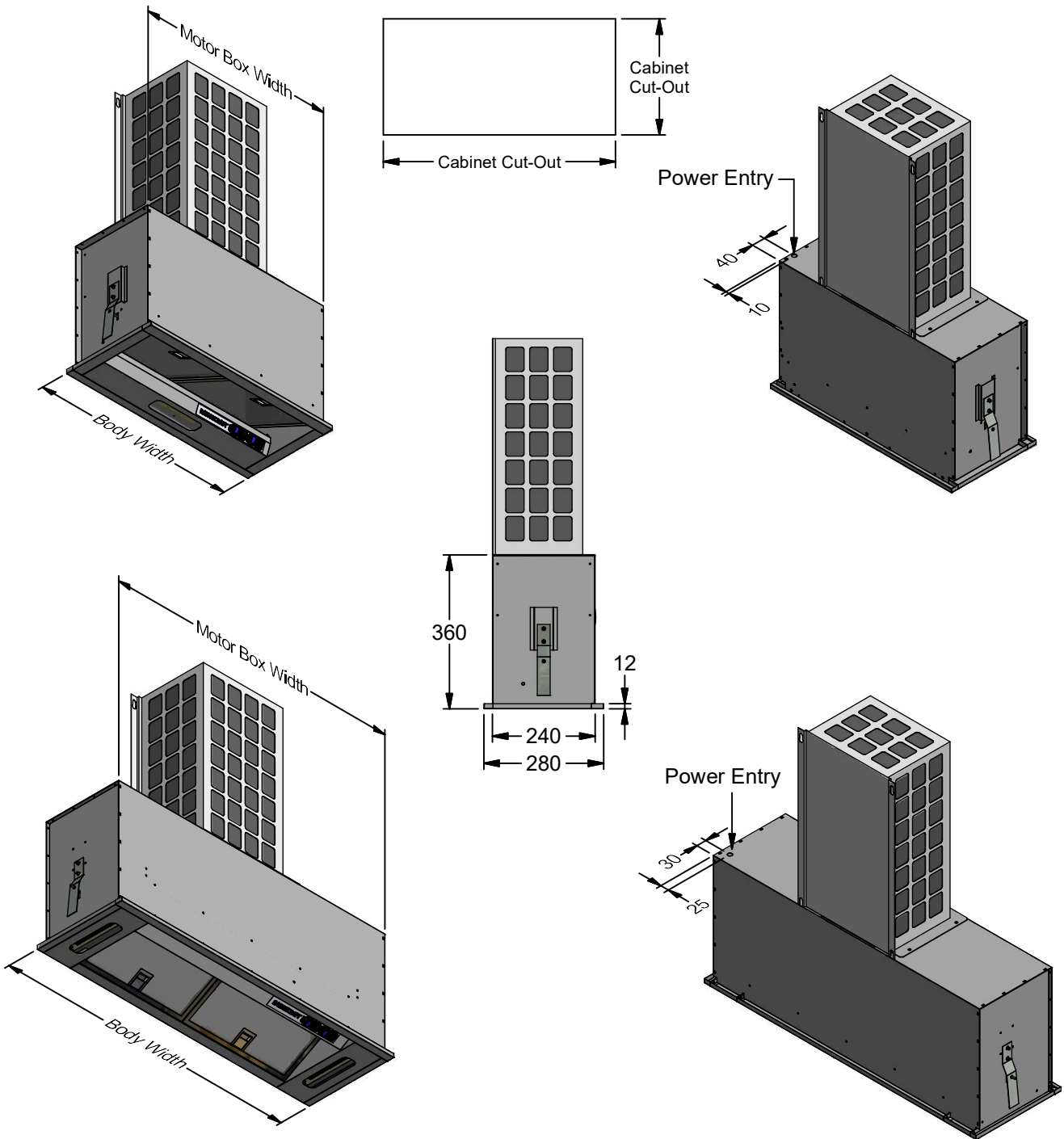


## MOUNTING POSITION



### RPUC

### Concealed



Model	RPUC 60-1	RPUC 90-1	Model	RPUC 60-1	RPUC 90-1
Body Width	600mm	900mm	Filter Size	269mm x 250mm	340mm x 260mm
Motor Box / Flue Width	580mm	880mm	Conversion Top/Back Back/Top	NO	NO
Motor Qty	1	1	Electrical Connection	10 Amp Lead	10 Amp Lead
LED Light	Cool	Cool	Minimum Height (H =)	N/A	N/A
Nightlight	YES	YES	Maximum Height (H =)	N/A	N/A
Light Qty	1	2	PowderKote® Available	N/A	N/A
Light Centres	Centre	770mm	Cabinet Cut-Out	258mm X 585mm	258mm X 885mm
Filter Qty	2	2	Corner Type	Square	Square
			Condari Pty Ltd.	Version: F 18/08/2017F Page 1 of 1	



## Installation instructions

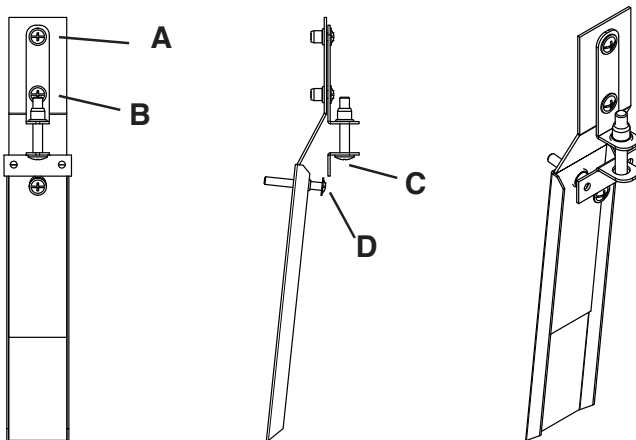
- **RPWP / RPEP**

1. Loosen screws A and B by turning anti clockwise
2. Turn D anti clockwise to extend the outer spring bracket.
3. Insert rangehood into cut out and turn screw C clockwise to align rangehood with cupboard base.
4. Do not over tighten.
5. Tighten screw A by turning clockwise to lock fixing bracket.
6. Fit off ductwork as required.
7. To remove rangehood, turn screw D clockwise.
8. Install the Plasma unit on top of the Rangehood and plug in the connector.
9. If the Plasma is being installed remotely from the rangehood, fit required 150 diameter rigid duct pieces and use PEL extension lead for the Plasma filter.
10. Ensure to follow Plasma filter rules located on page 1

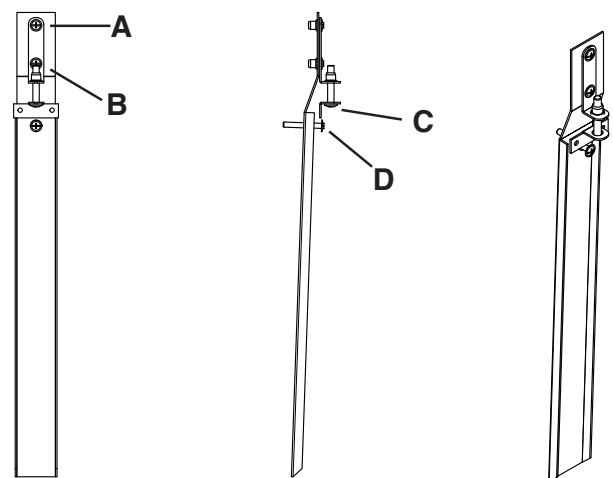
**The RPWP Rangehood must be installed at a minimum of 750mm over induction cooktops.  
The RPEP Rangehood must be installed at 600mm over induction cooktops.**

## RANGEHOOD SPRING BRACKETS

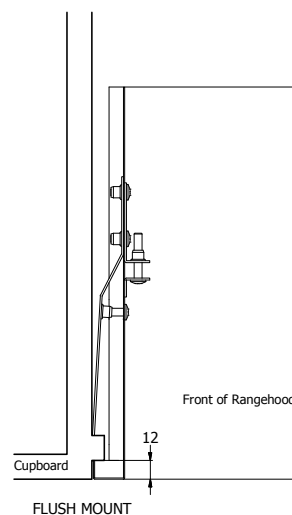
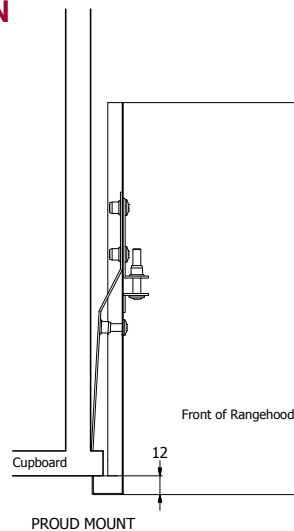
Model: **RPEP**



Model: **RPWP**

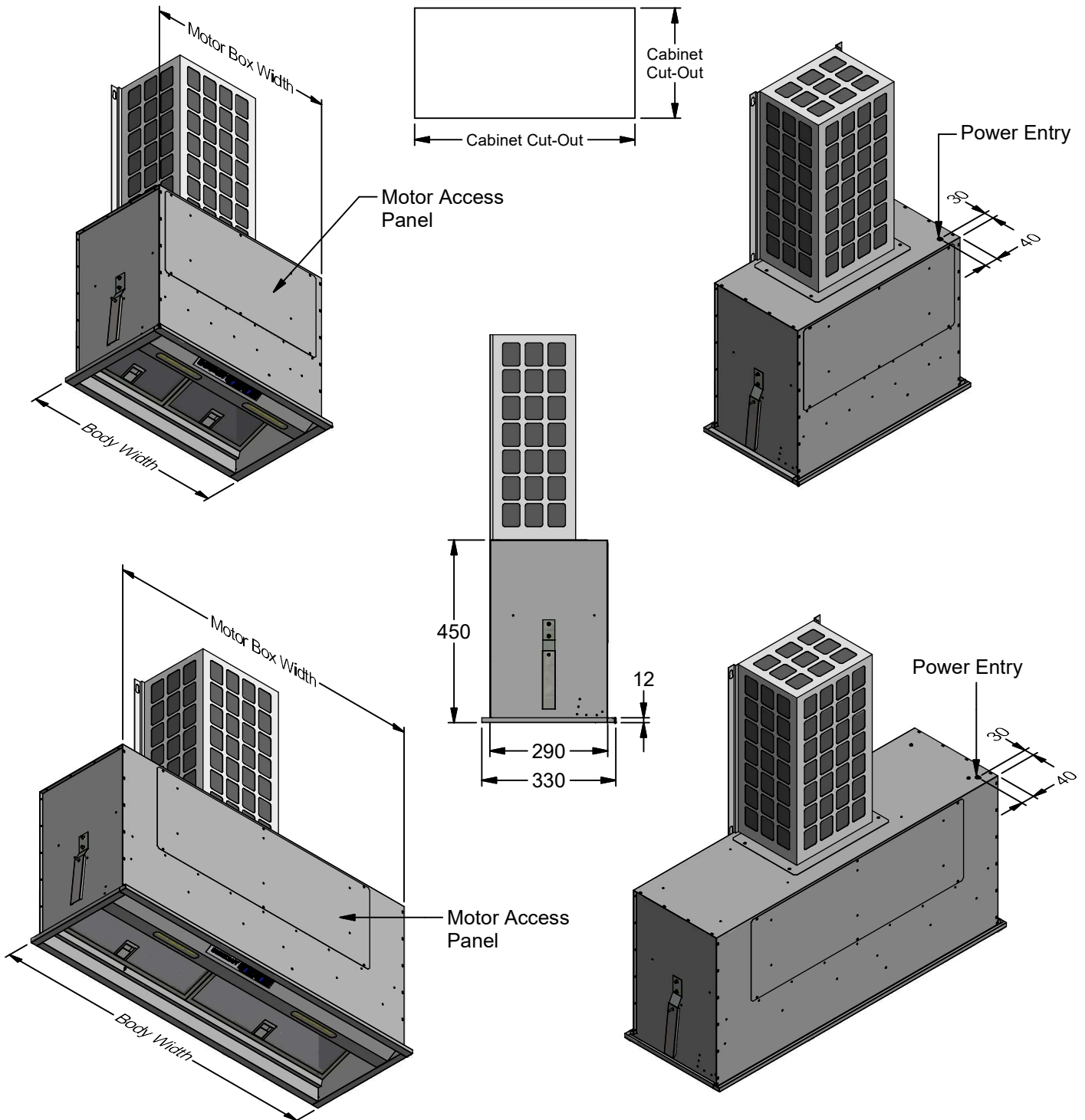


## MOUNTING POSITION



### RPWP

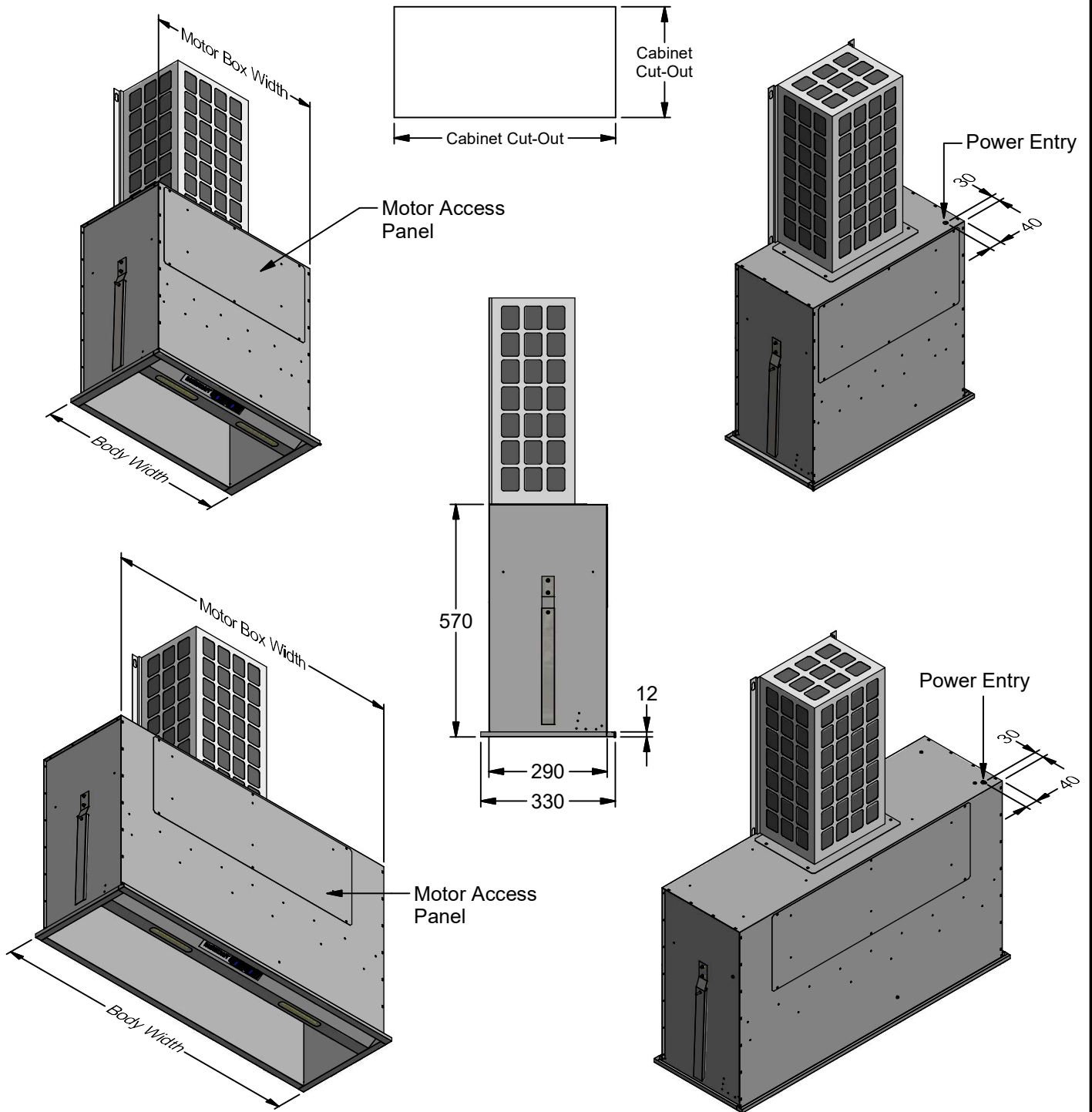
### Concealed



Model	RPWP 60-1	RPWP 100-1	Model	RPWP 60-1	RPWP 100-1
Body Width	600mm	1000mm	Filter Size	272mm x 272mm	479mm x 260mm
Motor Box / Flue Width	565mm	980mm	Conversion Top/Back Back/Top	NO	NO
Motor Qty	1	1	Electrical Connection	10 Amp Lead	10 Amp Lead
LED Light	Cool	Cool	Minimum Height (H =)	N/A	N/A
Nightlight	YES	YES	Maximum Height (H =)	N/A	N/A
Light Qty	2	2	PowderKote® Available	N/A	N/A
Light Centres	300mm	480mm	Cabinet Cut-Out	300mm X 570mm	300mm X 985mm
Filter Qty	2	2	Corner Type	Square	Square
			Condari Pty Ltd.	Version: E 18/08/2017F Page 1 of 1	

### RPEP

### Concealed



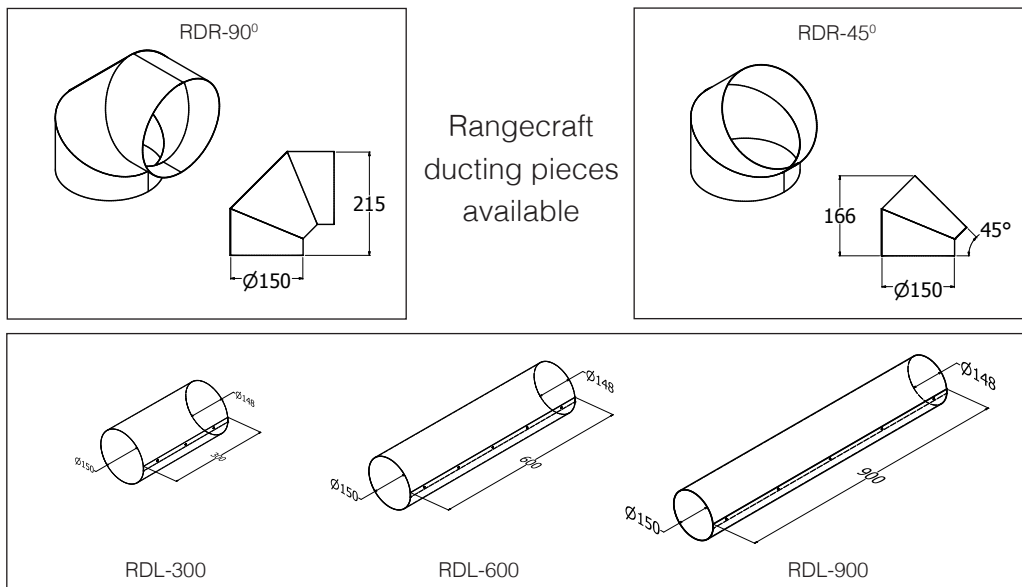
Model	RPEP 60-1	RPEP 100-1	Model	RPEP 60-1	RPEP 100-1
Body Width	600mm	1000mm	Filter Size	272mm x 272mm	479mm x 260mm
Motor Box / Flue Width	565mm	980mm	Conversion Top/Back Back/Top	NO	NO
Motor Qty	1	1	Electrical Connection	10 Amp Lead	10 Amp Lead
LED Light	Cool	Cool	Minimum Height (H =)	N/A	N/A
Nightlight	YES	YES	Maximum Height (H =)	N/A	N/A
Light Qty	2	2	PowderKote® Available	N/A	N/A
Light Centres	300mm	480mm	Cabinet Cut-Out	300mm X 570mm	300mm X 985mm
Filter Qty	2	2	Corner Type	Square	Square
			Condari Pty Ltd.	Version: E 18/08/2017F Page 1 of 1	

## Rangecraft spare parts available

- **PEL 1M** - Plasma extension lead 1 meter
- **PEL 2M** - Plasma extension lead 2 meter
- **PEL 3M** - Plasma extension lead 3 meter
- **PEL 4M** - Plasma extension lead 4 meter
- **PEL 5M** - Plasma extension lead 5 meter
- **PEL 6M** - Plasma extension lead 6 meter

## Rangecraft ducting available

- **RDR 45** (45 degree bend)
- **RDR 90** (90 degree bend)
  
- **RDL 300** (300mm duct length)
- **RDL 600** (600mm duct length)
- **RDL 900** (900mm duct length)



**CONDARI**  
PTY LTD

Distributed in Australia by Condari Pty Ltd.  
T 1300 360 563  
www.qasair.com.au www.condari.com.au

Head office VIC  
T 03 9482 7088 F 03 9482 7011  
Email: sales@qasair.com.au

NSW / ACT  
T 02 9316 4599 F 02 9316 9299  
Email: salesnsw@qasair.com.au

QLD  
T 07 3423 3503 F 07 3282 9122  
Email: salesqld@qasair.com.au

SA / NT  
T 1300 360 563 F 03 9482 7011  
Email: salessa@qasair.com.au

TAS  
T 03 9482 7088 F 03 9482 7011  
Email: sales@qasair.com.au

WA  
T 08 9242 5387 F 08 9201 0887  
Email: saleswa@qasair.com.au

New Zealand - Kouzina Appliances  
T +64 9 377 7822 F +64 9 377 7824  
Email: sales@kouzina.co.nz

Singapore - Eldric Marketing  
T +65 6369 1188 F +65 6733 8133  
Email: enquiry@eldric.sg

CONDARI Rangehoods made in Ringwood 3134

Condari P/L reserves the right to change specification without notice. ® is a registered trademark.

