

CONDARI
PTY. LTD.



QASAIR®
QASAIR

RANGEHOODS

ISLAND
INSTALLATION & USER
INSTRUCTIONS

2021

Important Information	4
Instructions for Models 4F / PRE / SQ 450 / MOL / BUR / BEL / STM / STMI / PAR / PARI	6
Instructions for Models D 400 / D 500 / SEN	20
Instructions for Models TR CT / LIV	23
Remote Switching Specifications	26
Installation Ideas	29
Operation Details, Rangehood Cleaning, Filter Cleaning	34
Appliance Guarantee	35
Guarantee Exclusions	36
Standard Warranty / Extended Warranty	37

IMPORTANT INFORMATION

The installation of Qasair rangehoods must comply with the information in this booklet. Qasair rangehoods are designed and made to work efficiently over all domestic cookware available on the Australian market.

It is necessary to allow electrical disconnection of the rangehood after installation.

This may be achieved by either.

- a) Installing a power point to an accessible area for the rangehood.
- b) Incorporating a wall switch to the fixed wiring that supplies the rangehood.

Clearance from cooktop to Rangehood

For electric hot plate cooktops

Please follow the manufacturers instructions / recommendations.

For Induction cooktops

Induction cooktops may present problems with condensation on filters of rangehoods.

All Qasair rangehoods installed above an induction cooktop must be installed no less than 750mm between the induction cooktop and the rangehood, with the exception of the Eastmore (EAS) Rangehood which can be installed no less than 600mm and the Grampian which can be installed no less than 650mm. Undermount (NDCH), Conley (CON) and Foldaway (FA) Rangehoods are **not** suitable for induction cooktops.

For gas cooktops

All Qasair rangehood installations over a gas appliance must comply with (AS/NZS 5601.1).

The requirements for the installation of Gas Appliances (AS/NZS 5601.1) states that the clearance between the highest part of the burner of a gas cooking appliance and a rangehood be no less than 600mm. If the gas appliance is designed for use without a cooking vessel (as defined by AS/NZS 5601.1), then the clearance from the cooking surface to the grease filter shall be no less than 1200mm.

The recommendation for Qasair wallmount rangehoods is that they be installed between 700 to 800mm above the highest part of the burner. When the rangehood is installed in a galley or partially enclosed kitchen the rangehood can be installed between 900 to 1000mm above the highest part of the burner.

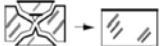
Qasair island rangehoods should not be installed any higher than 800mm above the highest part of the burner as any movement around the bench will result in fumes being drawn out from the catchment area of the rangehood with the exception of the Thermidor and Liverpool which for aesthetic reasons is installed flush with the ceiling.

Ducting

For all your ducting requirements please refer to the Qasair Rangehoods Ducting Pieces brochure included with your rangehood or please consult our website where it can be viewed or downloaded.

1. Every Qasair rangehood must be ducted to the outside atmosphere by the use of zinc-alume duct or non-porous and non-flammable materials. **Do not use of any type of flexible ducting or plastic PVC piping.** Rangehoods must not be vented into a wall cavity or a ceiling space. Externally ducting the rangehood prevents a build up of grease, which can be a fire risk. Ensure the external outlet vent does not restrict the airflow in any way, as this may result in reduced performance.
2. Qasair rangehoods must be ducted in duct work equivalent to the outlet of the rangehood ie: The cross sectional area of the rangehood outlet and the duct work must be equal. Do not reduce the duct size or have sharp bends. Enlarge the duct size if the duct is to run 6 metres or longer. Advice from Condari is available to ensure optimum performance. Always use non-flammable materials to minimise the risk of fire in the duct.
3. Ensure all ducting pieces are correctly fitted and sealed with either duct tape or silicone to ensure that fumes do not escape into the ceiling space and seep into living areas through vents or light fittings.

Other Important Information

1. Always adequately ventilate the room when the rangehood is in use at the same time as appliances burning gas or other fuels.
2. **WARNING:** Incorrect venting will result in additional noise and a reduction in efficiency. Exhaust air must not be discharged into any chimney or flue, which may carry combustible products from other sources.
 - a) Do not discharge the air-flow from the rangehood into a flue used for exhausting fumes from burning gas or fuel;
 - b) For cleaning purposes please refer to page 34 of installation instructions for stainless steel;
 - c) If cleaning is not carried out in accordance with the instructions as listed on page 34, there may be an increased risk of fire;
 - d) Some parts of the rangehood may become hot when cooking;
 - e) This appliance is not intended for use by persons (including children) with reduced physical, sensory or mental capabilities, or lack of experience and knowledge, unless they have been given supervision or instruction concerning use of the appliance by a person responsible for their safety.
3. The installation and fitting of the rangehood should be done in such a way that will allow the unit to be removed if service is required. Additional costs incurred in the removal of wall tiles, damage to walls or bench tops are not covered by warranty.
4. To reduce the risk of fixing screws coming in contact with live parts, do not drill or screw into the rangehood. Live wires are encapsulated where possible to prevent user contact. If necessary drill from the inside out and only through single sheet material.
5. **NOTE:** Condari recommend an air movement of between 1000 to 1400 cubic metres per hour over an indoor barbecue, depending on the length of the duct run. Ensure a twin motor unit is installed over indoor barbecues for optimum results. Barbecues should be positioned under the centre of the hood where the fans are mounted and not near the outer edges where leakage may occur.
6. The lights in the rangehoods are LED and come with a night light except for D400L-1 and SEN400L-1.
7. Please contact Condari to arrange an authorised technician to replace any cracked protective glass shields for the LED lights. The diagram shows a square glass shield with a diagonal crack. An arrow points to a new, uncracked square glass shield.
8. If the supply cord is damaged, an authorised service centre or licensed electrician must replace it.
9. Do not flambé under the rangehood.
10. Qasair domestic rangehoods must not to be used over barbecues approved for outdoor use only, Condari make a range of hoods specifically for outdoor barbecues in alfresco areas under the Condor name.
11. Condari can manufacture rangehoods to be used over commercial cookers in domestic applications.
12. **NOTE:** All information is correct at the time of print, as standards vary over time please ensure all requirements meet the latest standards / codes and regulations.

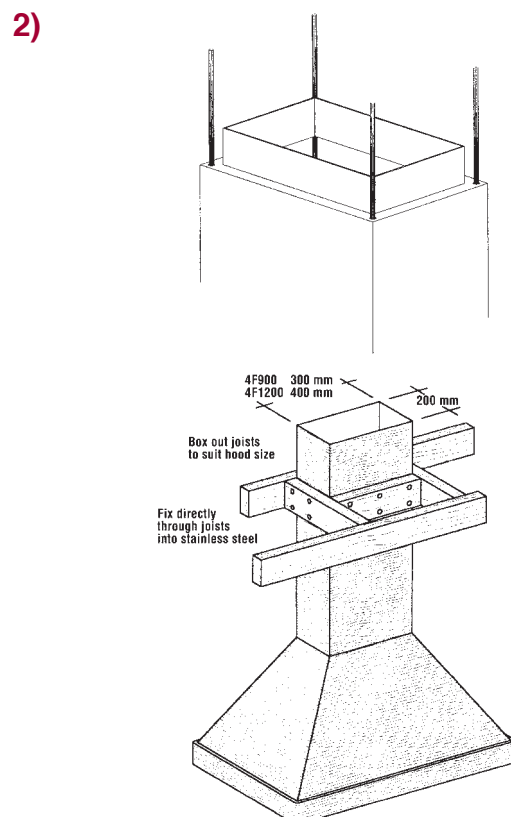
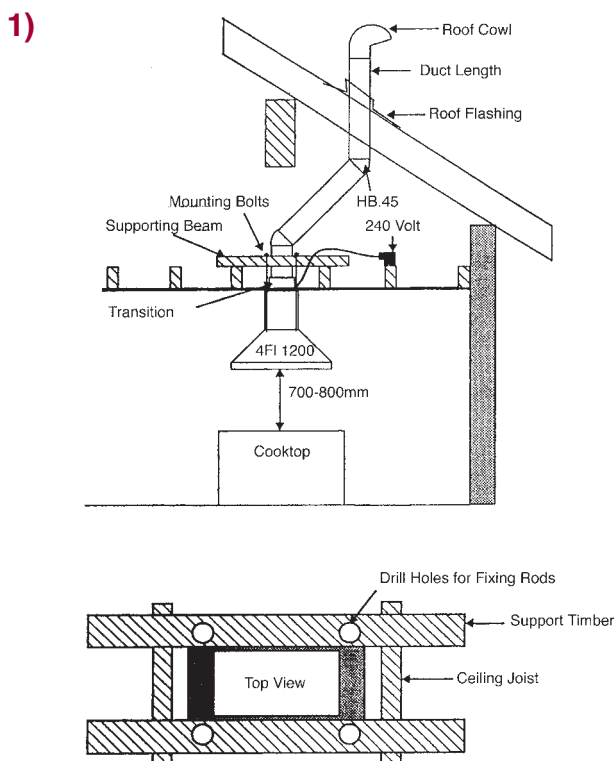
INSTALLATION INSTRUCTIONS

- 4F
- PRE
- SQ 450 / MOL
- BEL
- STM / STMI / PAR / PARI

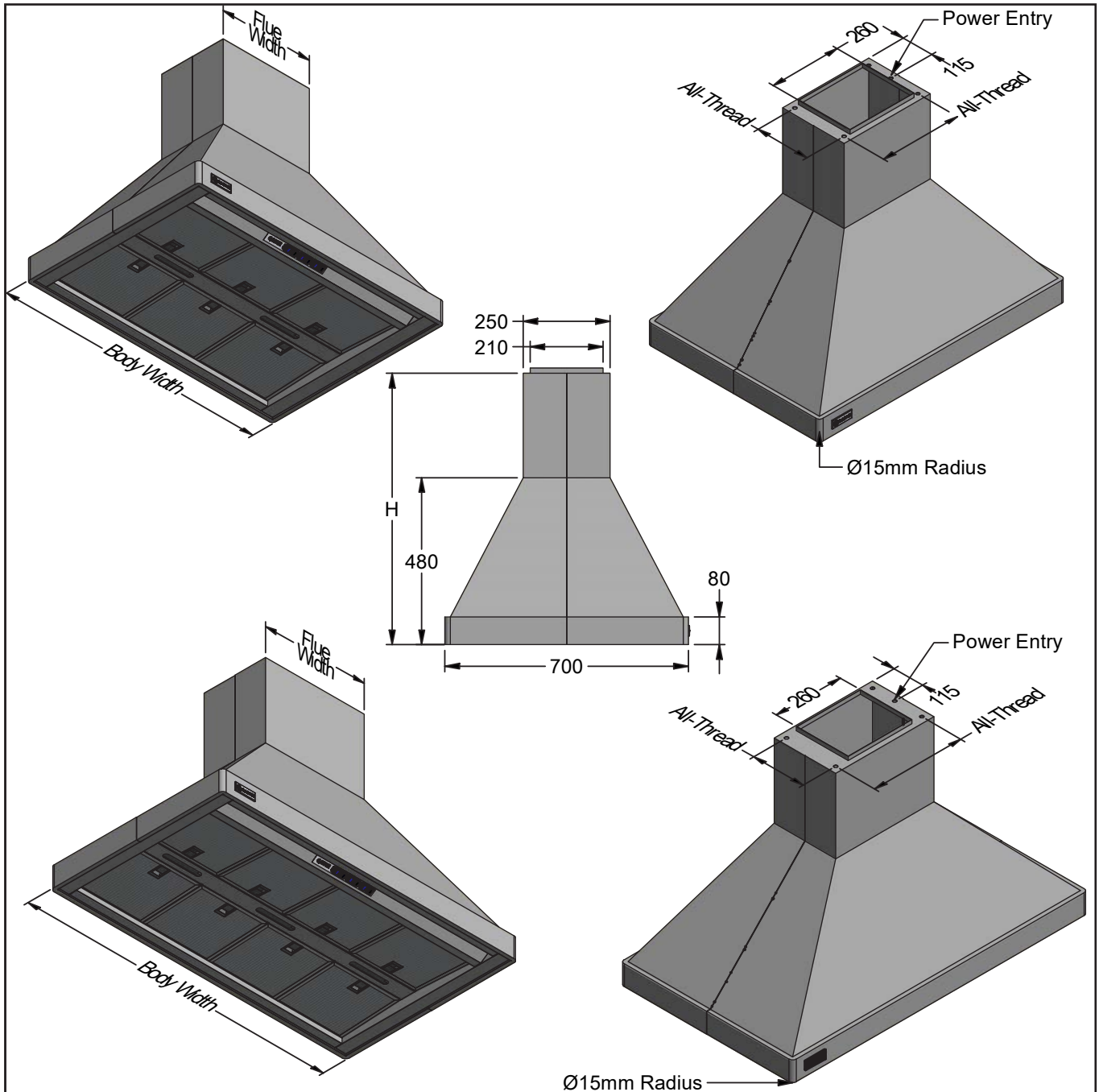
It is recommended that the rangehood be mounted 100mm back from the edge of the benchtop.

1. The rangehood can be installed between 700mm and 800mm above the cooking surface. The installer should check for local requirements in case additional provisions apply.
2. It is advisable to remove fans for easier handling of unit by removing retaining bolts or clips and unplugging electrical connector.
3. Measure hole centres and duct size on top of the rangehood. This will vary with the hood size, model and number of fans fitted and will determine the ducting required.
4. Using a plumb line, mark the ceiling before making the cut out. Check for obstructions like electrical cables etc.
5. Cut two (2) supporting beams approximately 1.0m long and pre-drill hole centres so that the supporting beams are 90 degrees to the ceiling joists.
6. Fit 8mm all thread (threaded rod) through holes provided and secure with nuts and washers.
7. Level unit by tensioning the 8mm nuts. Do not over tighten.
8. Fit off ducting as required.

Installation Suggestions



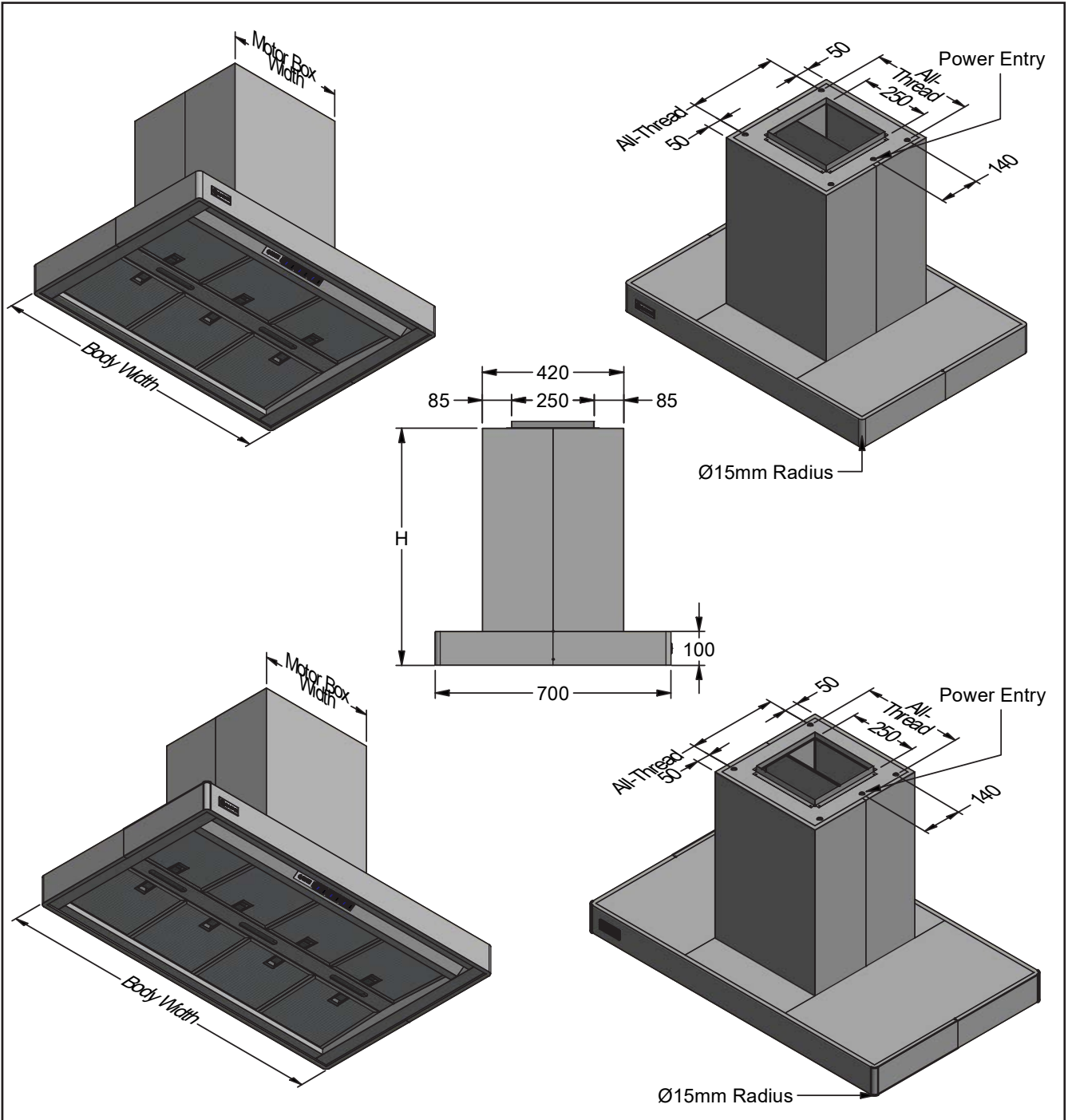
4 FLARE - 4F



A Transition is supplied to suit standard DL-2 ducting.

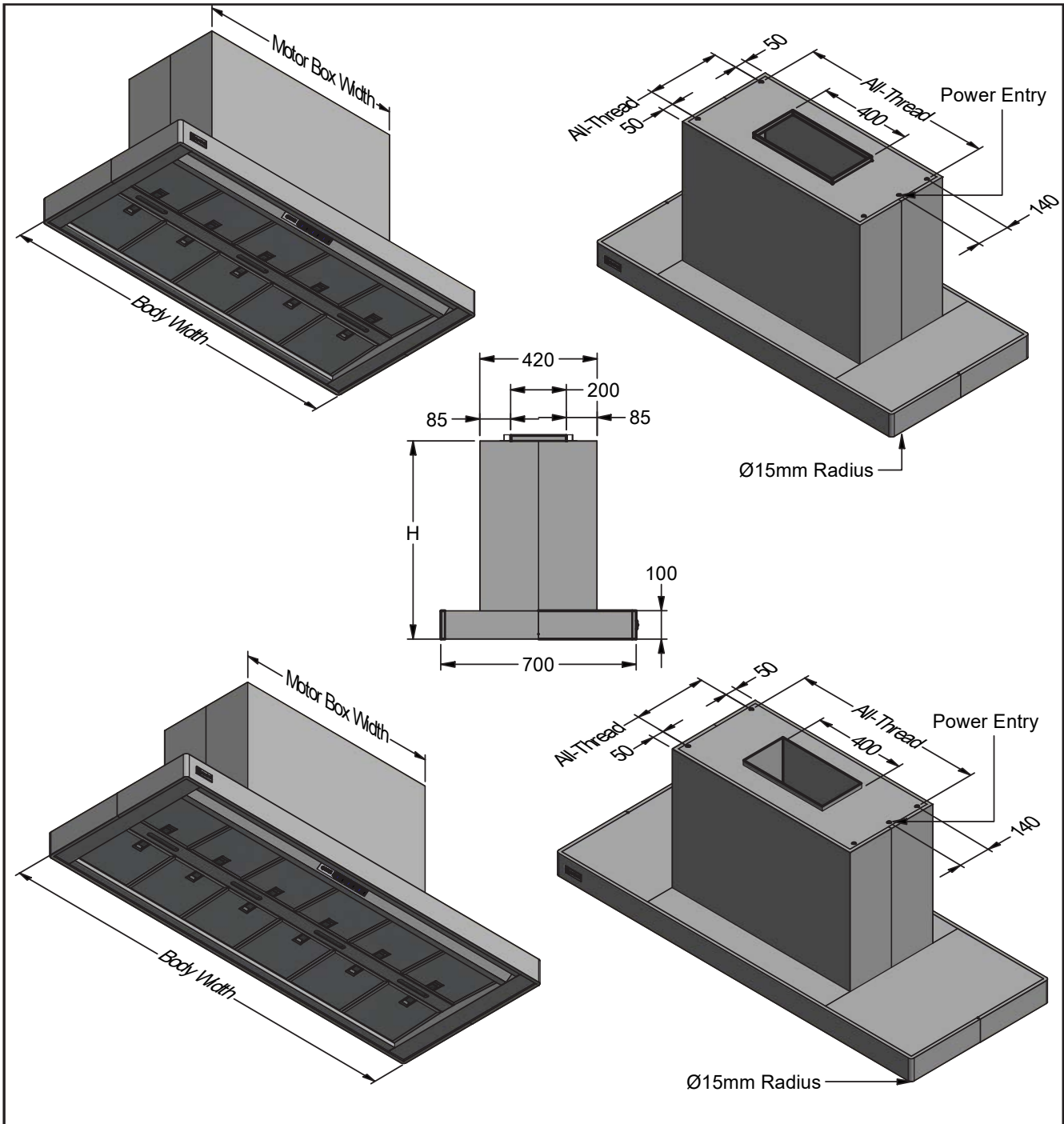
Model	4F 1000L-2	4F 1200L-2	Model	4F 1000L-2	4F 1200L-2
Body Width	1000mm	1200mm	Filter Size	290mm x 250mm	270mm x 250mm
Motor Box / Flue Width	350mm	400mm	Conversion Top/Back Back/Top	N/A	N/A
Motor Qty	2	2	Electrical Connection	10 Amp Lead	10 Amp Lead
LED Light	Cool	Cool	Minimum Height (H =)	480mm	480mm
Nightlight	YES	YES	Maximum Height (H =)	1660mm	1660mm
Light Qty	2	3	PowderKote® Available	YES	YES
Light Centres	430mm	380mm	All-thread Fixing Centres	300mm x 200mm	350mm x 200mm
Filter Qty	6	8	Corner Type	Round	Round
I-xy** Series			Condari Pty Ltd.	Version: G 06/10/2021F Page 1 of 1	

PRESIDENT - PRE



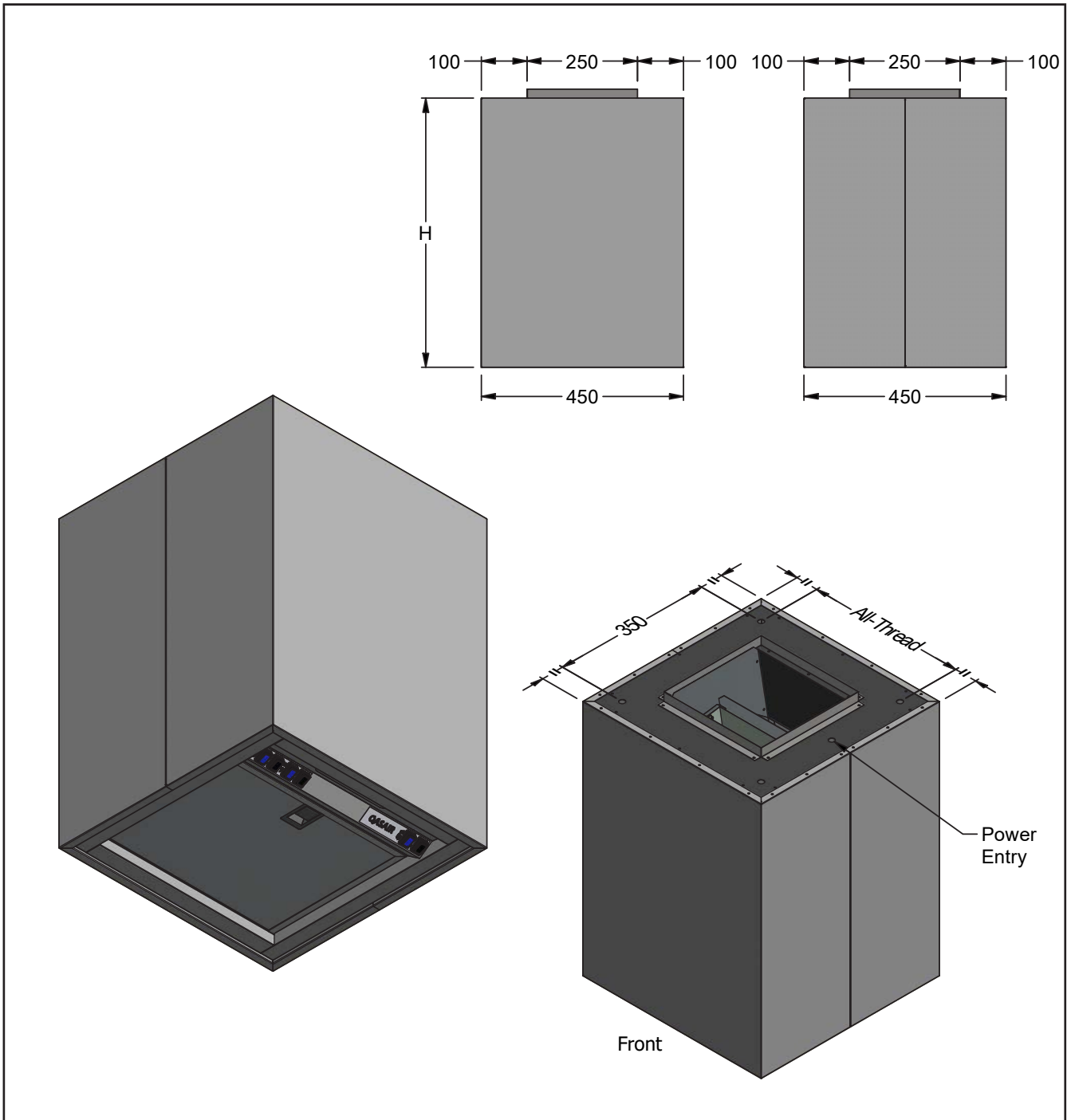
Model	PRE 1000L-2	PRE 1200L-2	Model	PRE 1000L-2	PRE 1200L-2
Body Width	1000mm	1200mm	Filter Size	290mm x 250mm	270mm x 250mm
Motor Box / Flue Width	420mm	420mm	Conversion Top/Back Back/Top	NO	NO
Motor Qty	2	2	Electrical Connection	10 Amp Lead	10 Amp Lead
LED Light	Cool	Cool	Minimum Height (H =)	550mm	550mm
Nightlight	YES	YES	Maximum Height (H =)	1550mm	1550mm
Light Qty	2	3	PowderKote® Available	YES	YES
Light Centres	430mm	380mm	All-thread Fixing Centres	360mm x 320mm	360mm x 320mm
Filter Qty	6	8	Corner Type	Round	Round
I-xy** Series			Condari Pty Ltd.	Version: H 22/03/2021F Page 1 of 2	

PRESIDENT - PRE



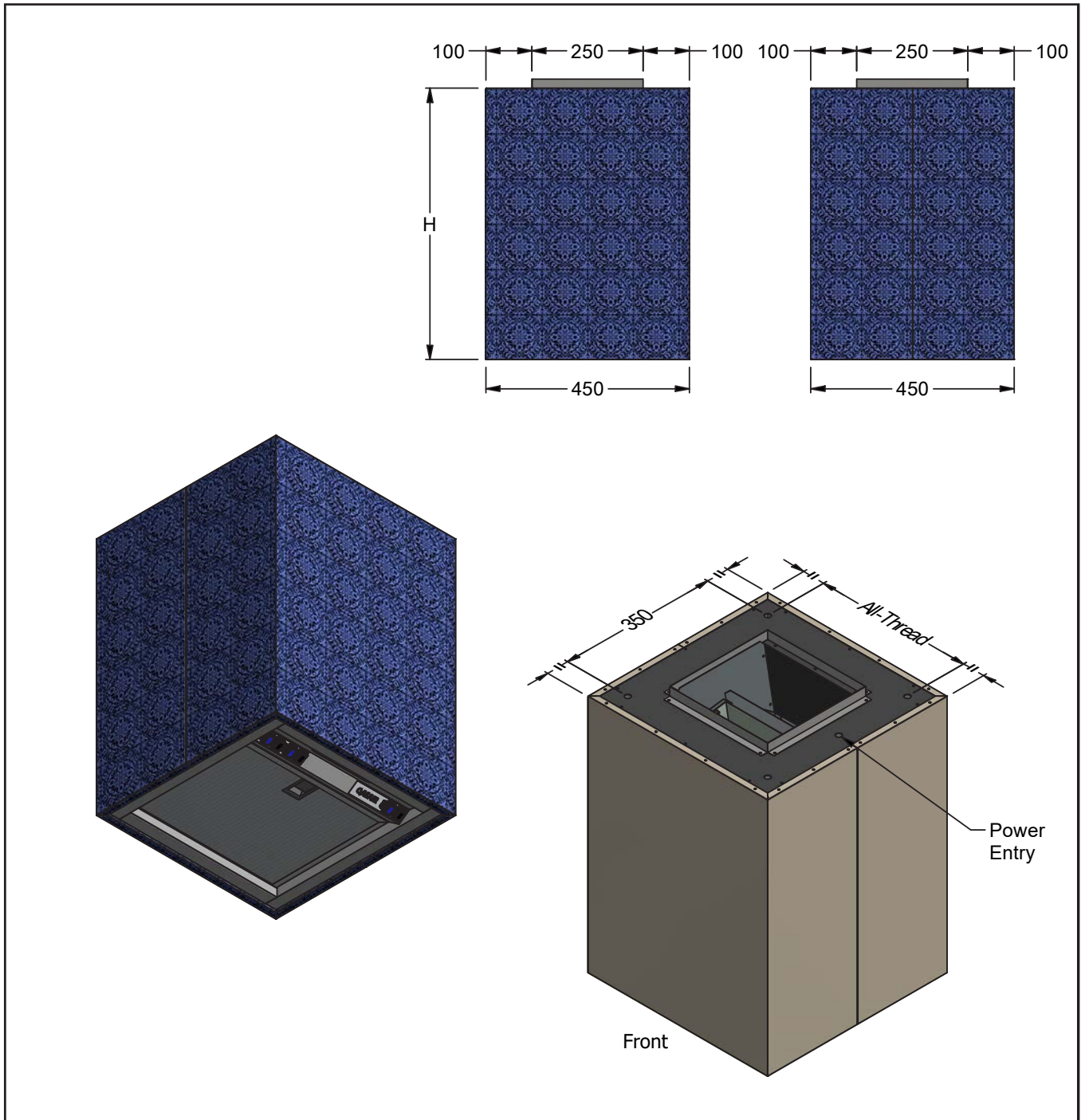
Model	PRE1500L-3	PRE 1800L-3	Model	PRE 1500L-3	PRE 1800L-3
Body Width	1500mm	1800mm	Filter Size	270mm x 250mm	270mm x 250mm
Motor Box / Flue Width	900mm	900mm	Conversion Top/Back Back/Top	NO	NO
Motor Qty	3	3	Electrical Connection	10 Amp Lead	10 Amp Lead
LED Light	Cool	Cool	Minimum Height (H =)	550mm	550mm
Nightlight	YES	YES	Maximum Height (H =)	1550mm	1550mm
Light Qty	3	4	PowderKote® Available	YES	YES
Light Centres	510mm	422mm	All-thread Fixing Centres	840mm x 320mm	840mm x 320mm
Filter Qty	10	12	Corner Type	Round	Round
I-xy** Series			Condari Pty Ltd.	Version: H 22/03/2021F Page 2 of 2	

WINTON - SQ 450



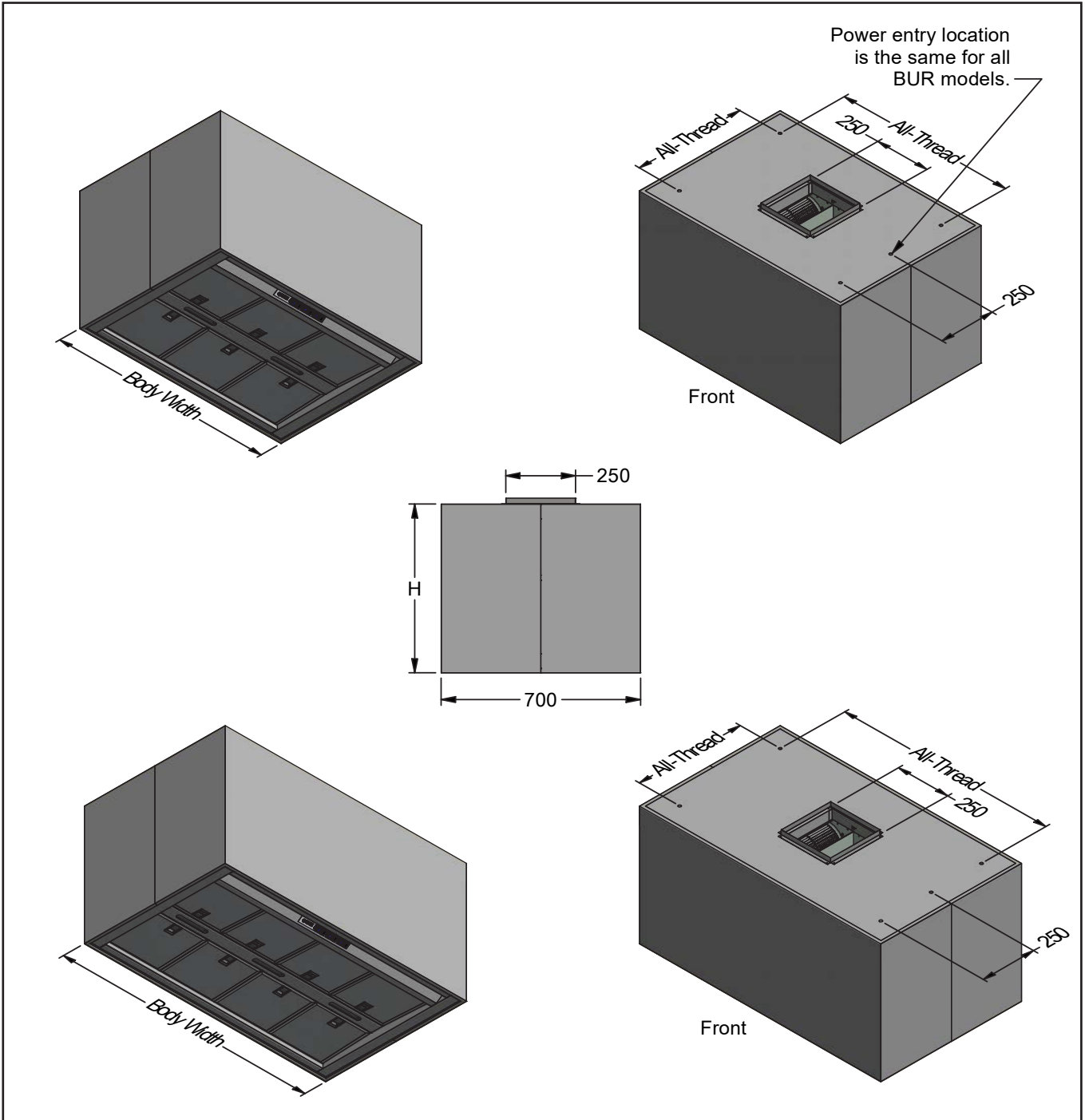
Model	SQ 450L-2	Model	SQ 450L-2
Body Width	450mm	Filter Size	365mm x 290mm
Motor Box / Flue Width	N/A	Conversion Top/Back Back/Top	NO
Motor Qty	2	Electrical Connection	10 Amp Lead
LED Light	Cool	Minimum Height (H =)	550mm
Nightlight	YES	Maximum Height (H =)	1400mm
Light Qty	1	PowderKote® Available	YES
Light Centres	Centre	All-thread Fixing Centres	350mm x 350mm
Filter Qty	1	Corner Type	Square
I-xy** Series		Condari Pty Ltd.	Version: D 22/03/2021F Page 1 of 1

MOLINA - MOL 450



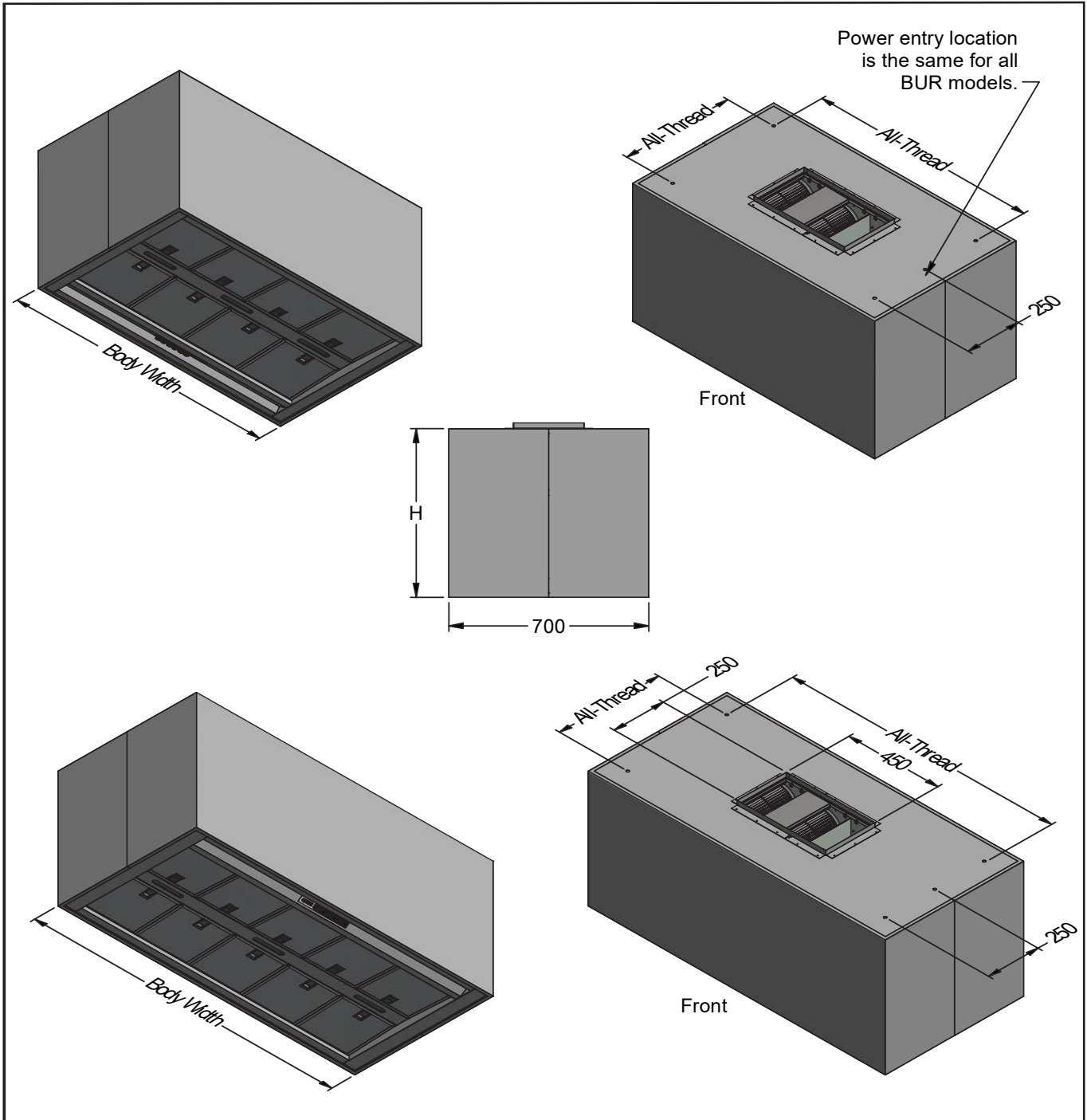
Model	MOL 450L-2	Model	MOL 450L-2
Body Width	450mm	Filter Size	365mm x 290mm
Motor Box / Flue Width	N/A	Conversion Top/Back Back/Top	N/A
Motor Qty	2	Electrical Connection	10 Amp Lead
LED Light	Cool	Minimum Height (H =)	550mm
Nightlight	YES	Maximum Height (H =)	1100mm
Light Qty	1	PowderKote® Available	N/A
Light Centres	Centre	All-thread Fixing Centres	350mm x 350mm
Filter Qty	1	Corner Type	Square
I-xy** Series		Condari Pty Ltd.	Version: E 08/06/2021F Page 1 of 1

BURDETT - BUR



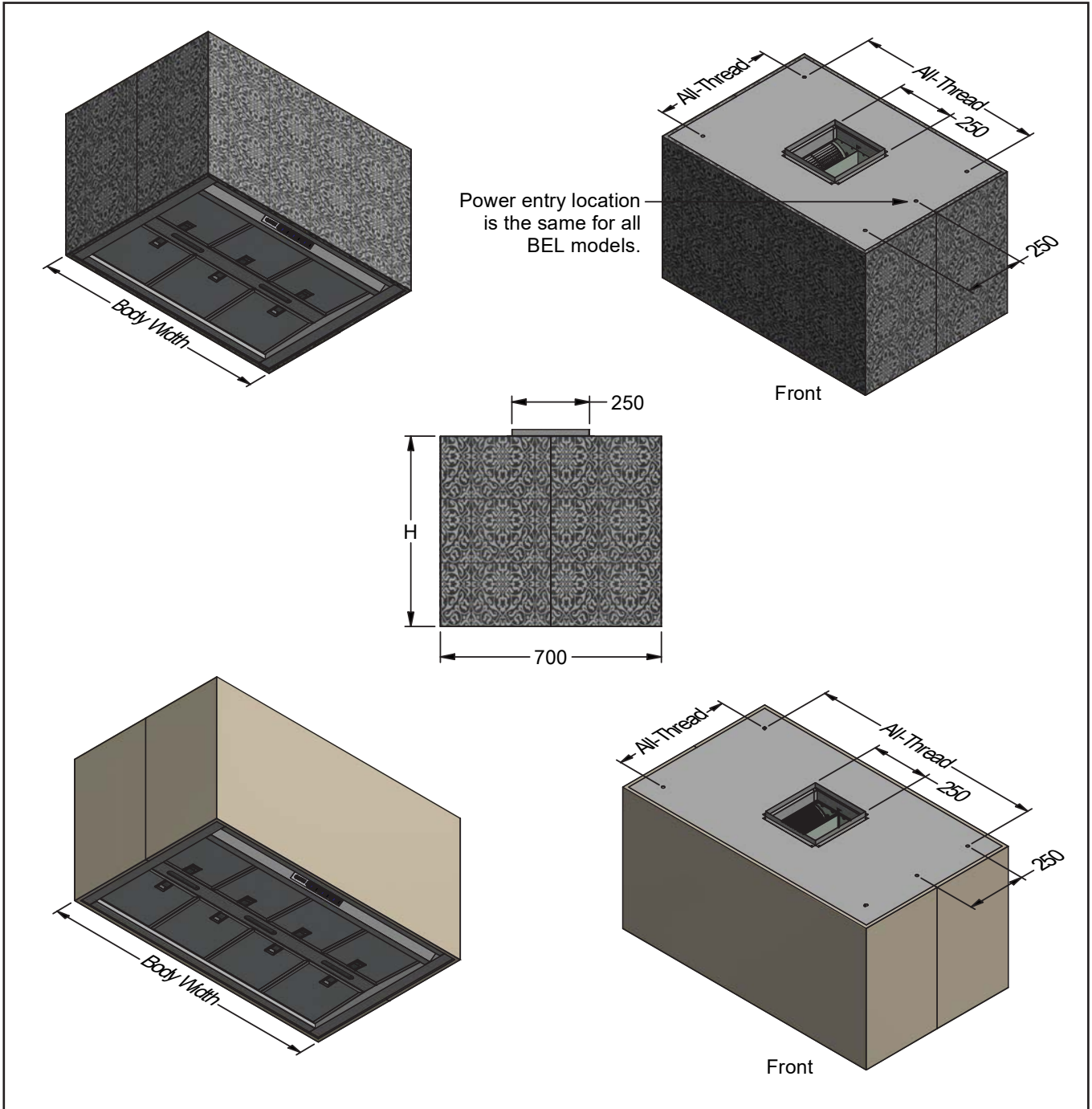
Model	BUR 1000L-2	BUR 1200L-2	Model	BUR 1000L-2	BUR 1200L-2
Body Width	1000mm	1200mm	Filter Size	290mm x 250mm	270mm x 250mm
Motor Box / Flue Width	N/A	N/A	Conversion Top/Back Back/Top	NO	NO
Motor Qty	2	2	Electrical Connection	10 Amp Lead	10 Amp Lead
LED Light	Cool	Cool	Minimum Height (H =)	400mm	400mm
Nightlight	YES	YES	Maximum Height (H =)	1450mm	1450mm
Light Qty	2	3	PowderKote® Available	YES	YES
Light Centres	430mm	380mm	All-thread Fixing Centres	500mm x 800mm	500mm x 1000mm
Filter Qty	6	8	Corner Type	Square	Square
I-xy** Series			Condari Pty Ltd.	Version: G 06/10/2021F Page 1 of 2	

BURDETT - BUR



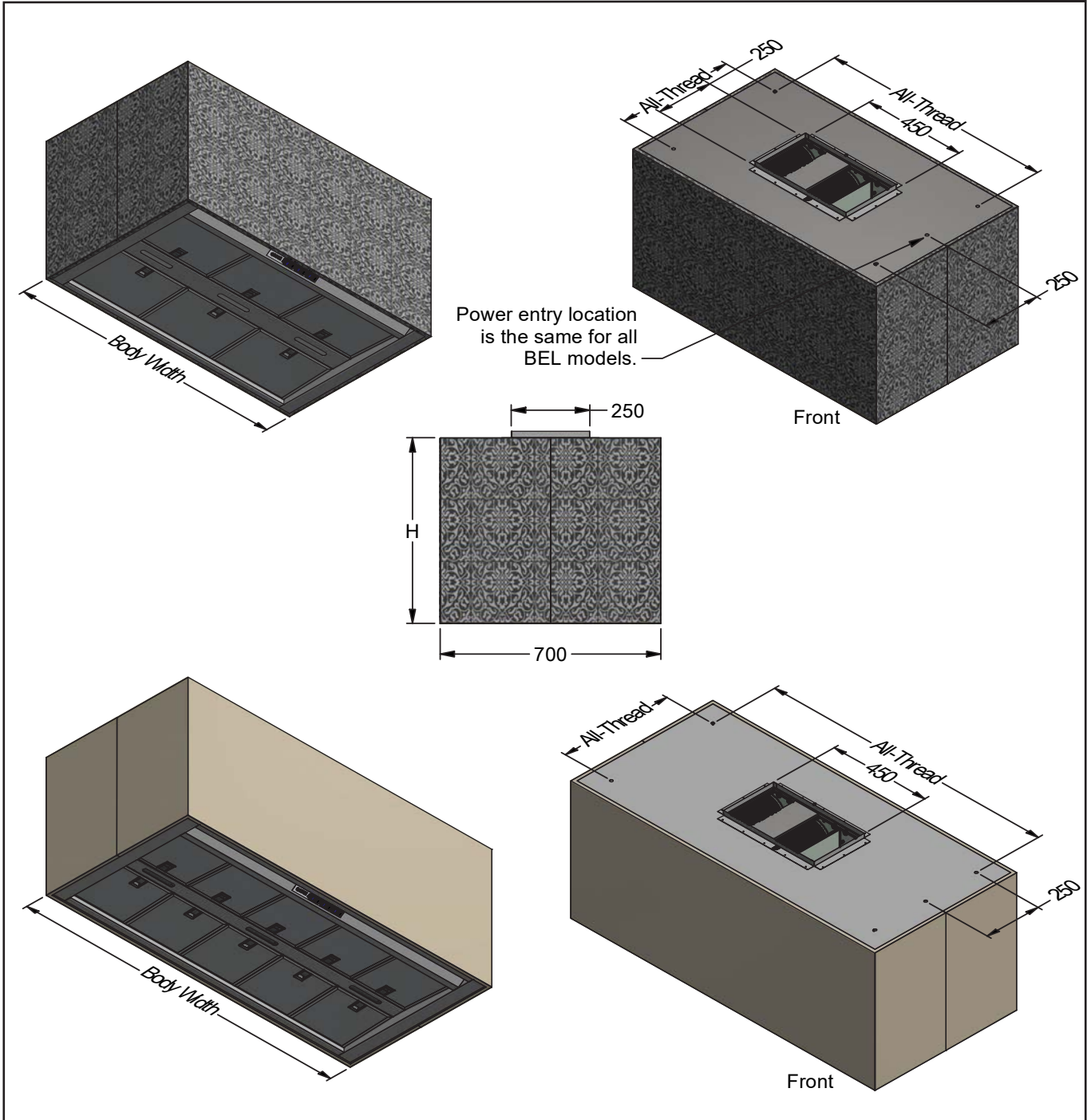
Model	BUR 1200L-3	BUR 1500L-3	Model	BUR 1200L-3	BUR 1500L-3
Body Width	1200mm	1500mm	Filter Size	270mm x 250mm	270mm x 250mm
Motor Box / Flue Width	N/A	N/A	Conversion Top/Back Back/Top	NO	NO
Motor Qty	3	3	Electrical Connection	10 Amp Lead	10 Amp Lead
LED Light	Cool	Cool	Minimum Height (H =)	400mm	400mm
Nightlight	YES	YES	Maximum Height (H =)	1450mm	1450mm
Light Qty	3	3	PowderKote® Available	YES	YES
Light Centres	380mm	510mm	All-thread Fixing Centres	500mm x 1000mm	500mm x 1300mm
Filter Qty	8	10	Corner Type	Square	Square
I-xy** Series			Condari Pty Ltd.	Version: G 06/10/2021F Page 2 of 2	

BELGRAD - BEL



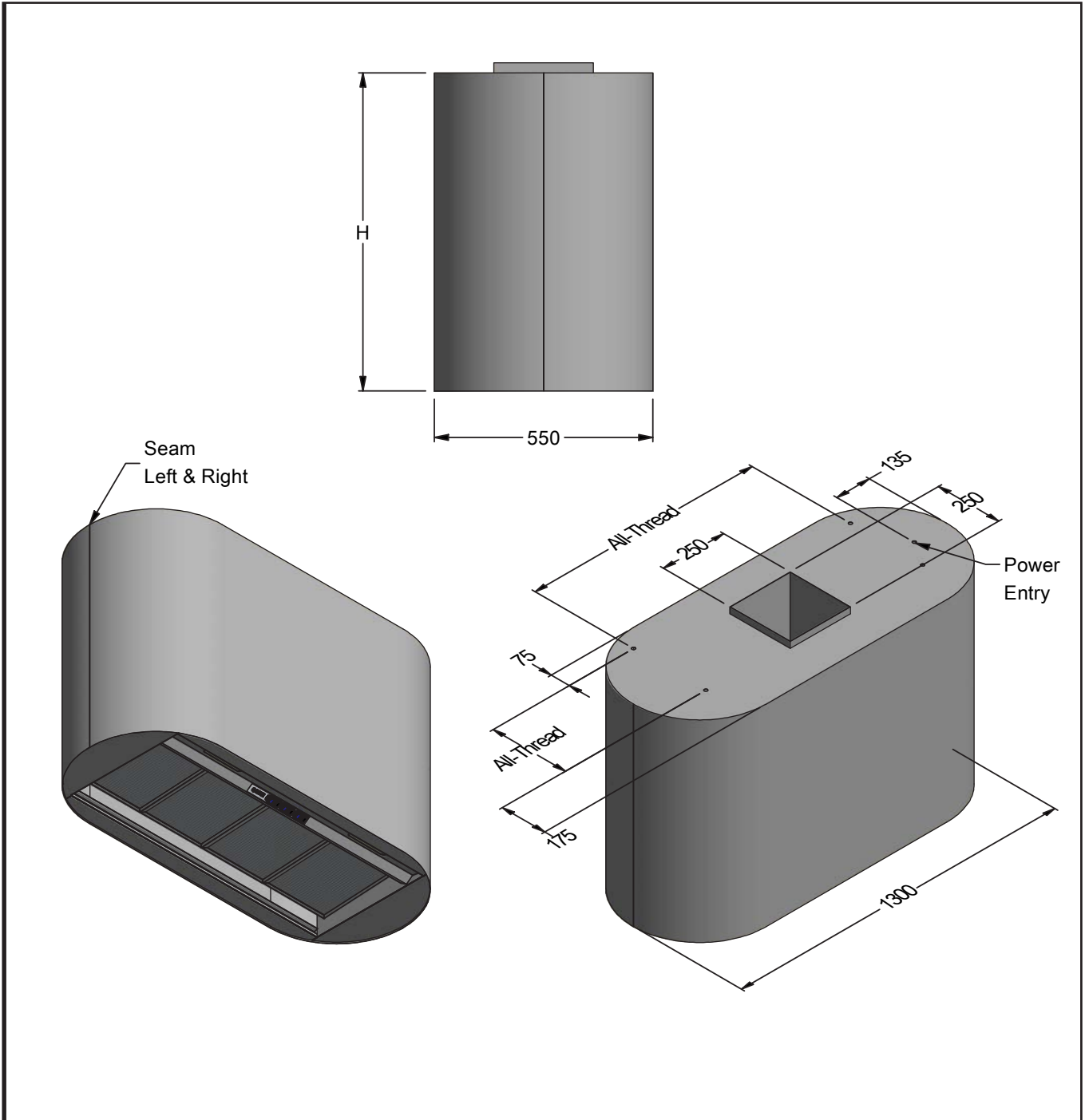
Model	BEL 1000L-2	BEL 1200L-2	Model	BEL 1000L-2	BEL 1200L-2
Body Width	1000mm	1200mm	Filter Size	290mm x 250mm	270mm x 250mm
Motor Box / Flue Width	N/A	N/A	Conversion Top/Back Back/Top	NO	NO
Motor Qty	2	2	Electrical Connection	10 Amp Lead	10 Amp Lead
LED Light	Cool	Cool	Minimum Height (H =)	400mm	400mm
Nightlight	YES	YES	Maximum Height (H =)	1100mm	1100mm
Light Qty	2	3	PowderKote® Available	N/A	N/A
Light Centres	430mm	380mm	All-thread Fixing Centres	500mm x 800mm	500mm x 1000mm
Filter Qty	6	8	Corner Type	Square	Square
I-xy** Series			Condari Pty Ltd.	Version: G 06/10/2021F Page 1 of 2	

BELGRAD - BEL



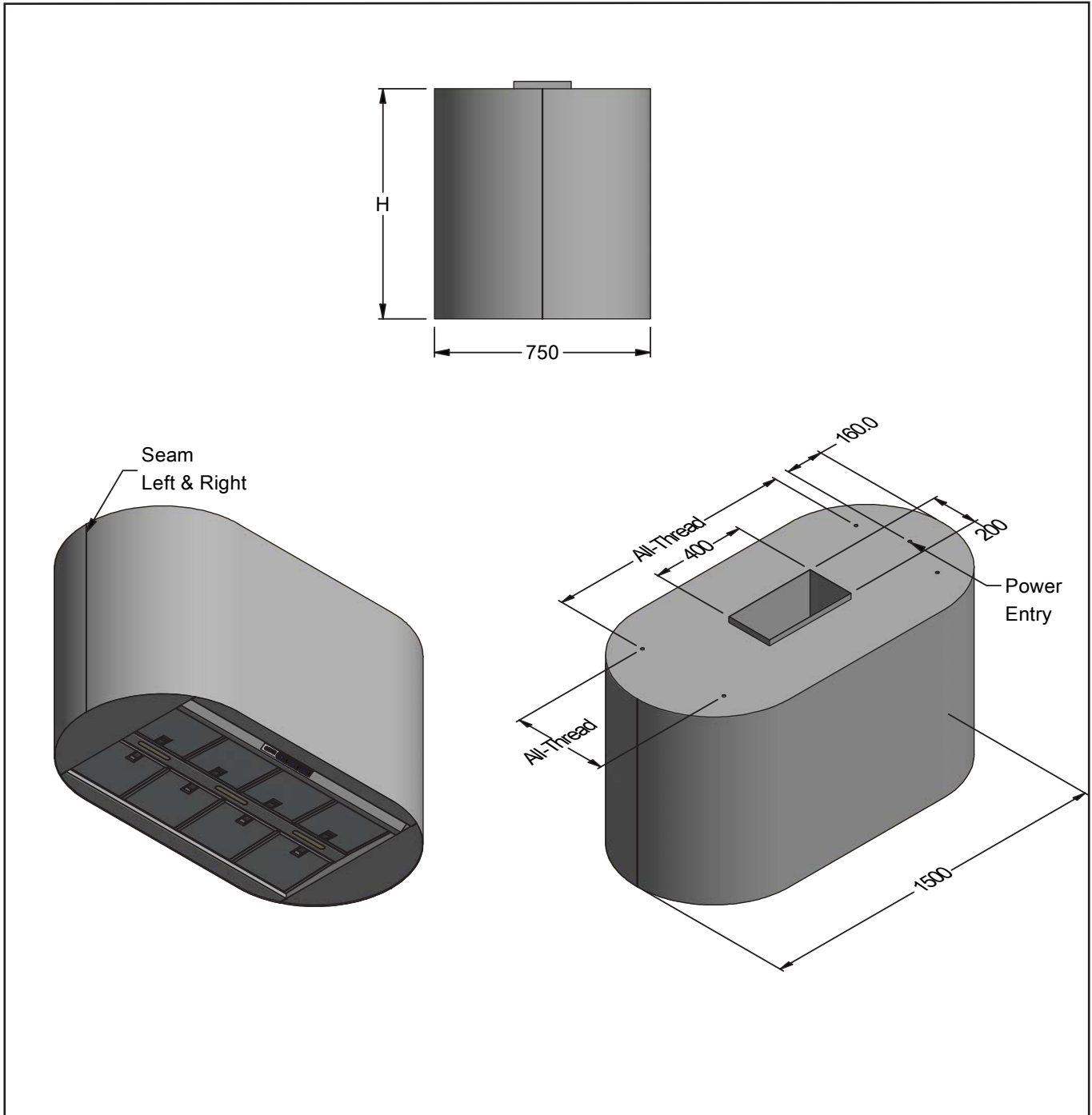
Model	BEL 1200L-3	BEL 1500L-3	Model	BEL 1200L-3	BEL 1500L-3
Body Width	1200mm	1500mm	Filter Size	270mm x 250mm	270mm x 250mm
Motor Box / Flue Width	N/A	N/A	Conversion Top/Back Back/Top	NO	NO
Motor Qty	3	3	Electrical Connection	10 Amp Lead	10 Amp Lead
LED Light	Cool	Cool	Minimum Height (H =)	400mm	400mm
Nightlight	YES	YES	Maximum Height (H =)	1100mm	1100mm
Light Qty	3	3	PowderKote® Available	N/A	N/A
Light Centres	380mm	510mm	All-thread Fixing Centres	500mm x 1000mm	500mm x 1300mm
Filter Qty	8	10	Corner Type	Square	Square
I-xy** Series			Condari Pty Ltd.	Version: G 06/10/2021F Page 2 of 2	

STADIUM - STM



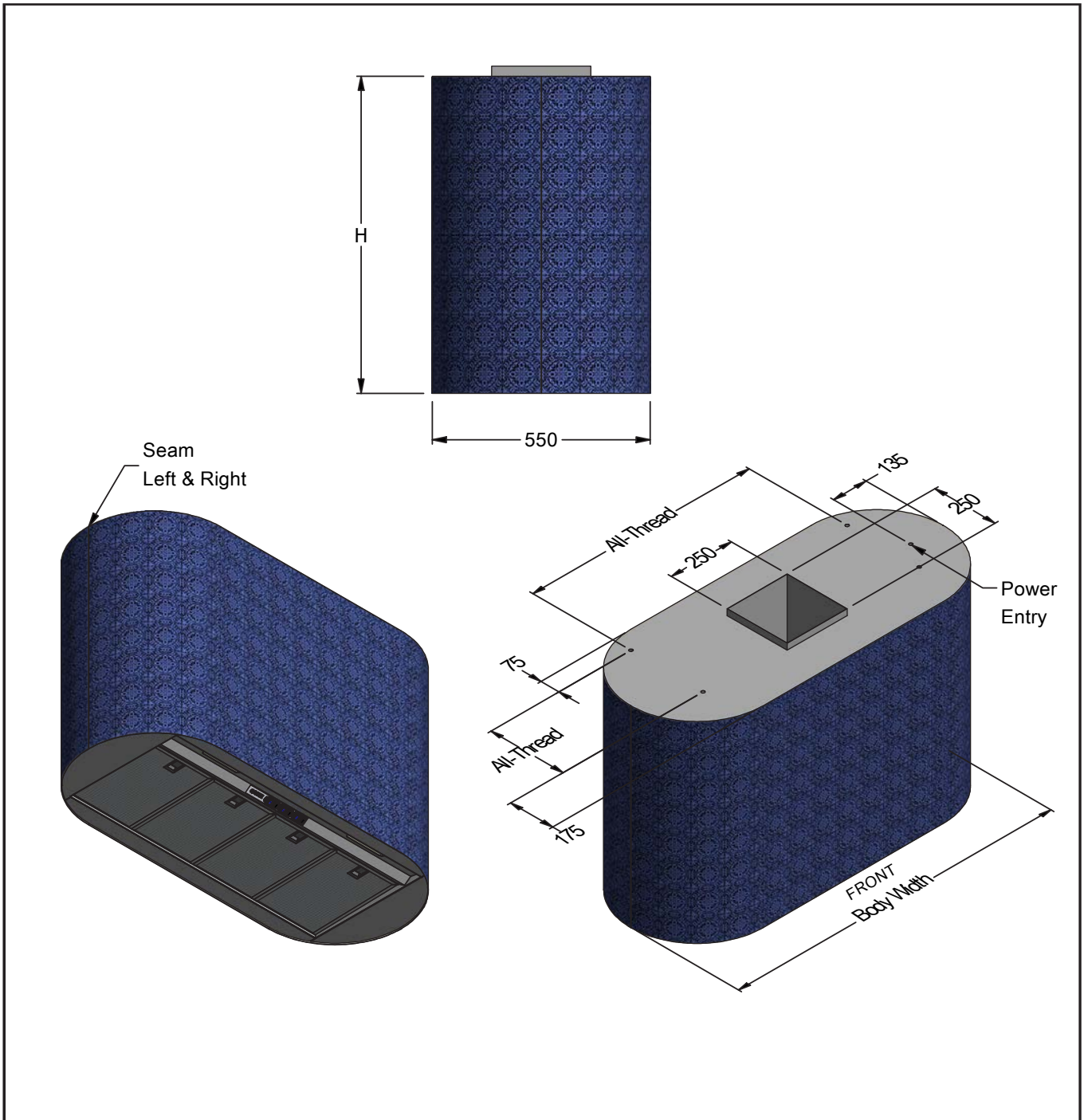
Model	STM 1300L-2	Model	STM 1300L-2
Body Width	1300mm	Filter Size	255mm x 355mm
Motor Box / Flue Width	N/A	Conversion Top/Back Back/Top	NO
Motor Qty	2	Electrical Connection	10 Amp Lead
LED Light	Cool	Minimum Height (H =)	500
Nightlight	YES	Maximum Height (H =)	1450
Light Qty	2	PowderKote® Available	YES
Light Centres	600mm	All-thread Fixing Centres	300mm x 900mm
Filter Qty	4	Corner Type	Round
I-xy** Series		Condari Pty Ltd.	Version: B 23/03/2021F Page 1 of 1

STADIUM ISLAND - STMI



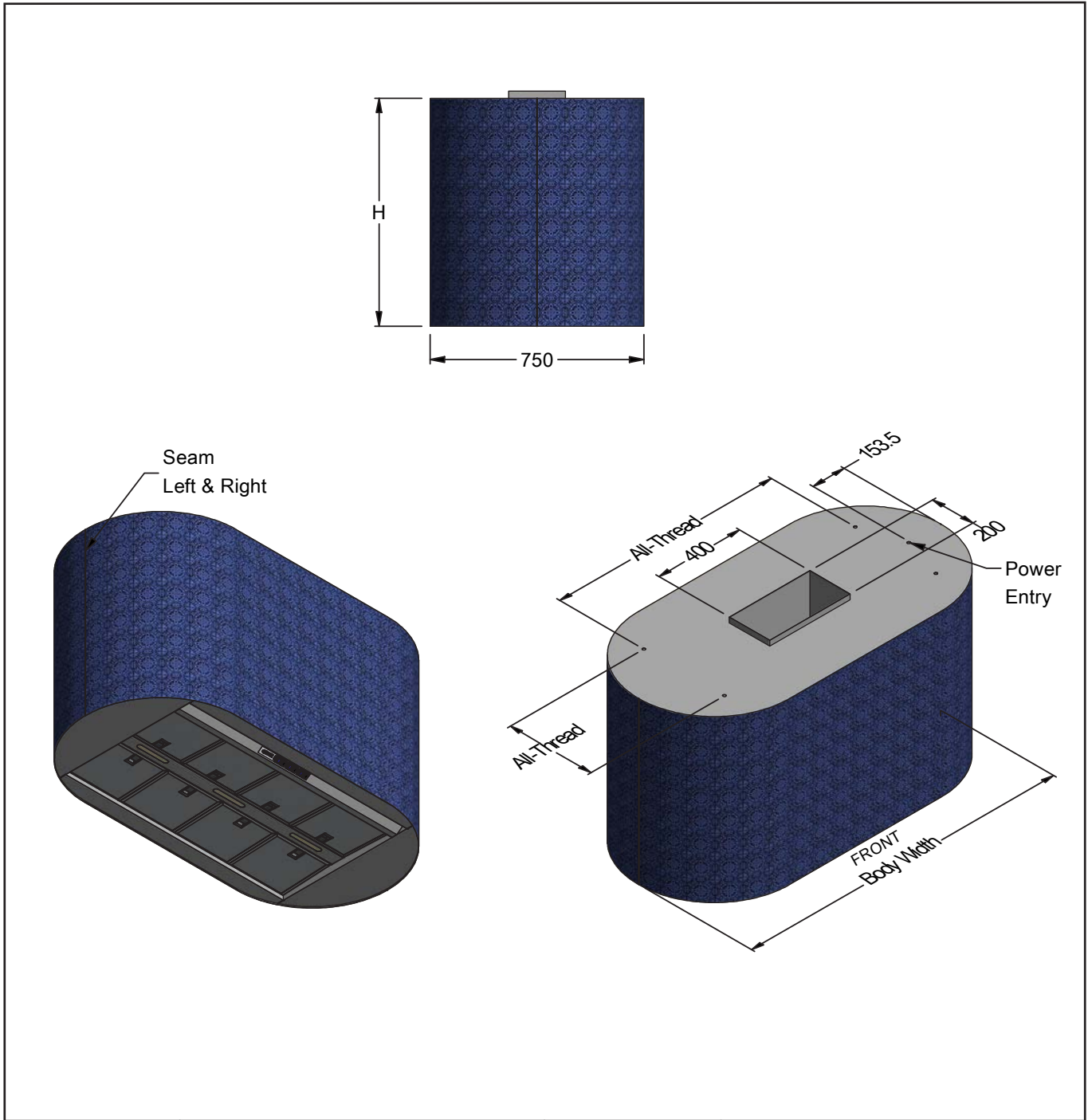
Model	STMI 1500L-3	Model	STMI 1500L-3
Body Width	1500mm	Filter Size	270mm x 250mm
Motor Box / Flue Width	N/A	Conversion Top/Back Back/Top	NO
Motor Qty	3	Electrical Connection	10 Amp Lead
LED Light	Cool	Minimum Height (H =)	500
Nightlight	YES	Maximum Height (H =)	1450
Light Qty	3	PowderKote® Available	YES
Light Centres	380mm	All-thread Fixing Centres	400mm x 1050mm
Filter Qty	8	Corner Type	Round
I-xy** Series		Condari Pty Ltd.	Version: B 23/03/2021F Page 1 of 1

PARKES - PAR



Model	PAR 1300L-2	Model	PAR 1300L-2
Body Width	1300mm	Filter Size	255mm x 355mm
Motor Box / Flue Width	N/A	Conversion Top/Back Back/Top	N/A
Motor Qty	2	Electrical Connection	10 Amp Lead
LED Light	Cool	Minimum Height (H =)	500
Nightlight	YES	Maximum Height (H =)	1150
Light Qty	2	PowderKote® Available	N/A
Light Centres	600mm	All-thread Fixing Centres	300mm x 900mm
Filter Qty	4	Corner Type	Round
I-xy** Series		Condari Pty Ltd.	Version: C 23/03/2021F Page 1 of 1

PARKES ISLAND - PARI

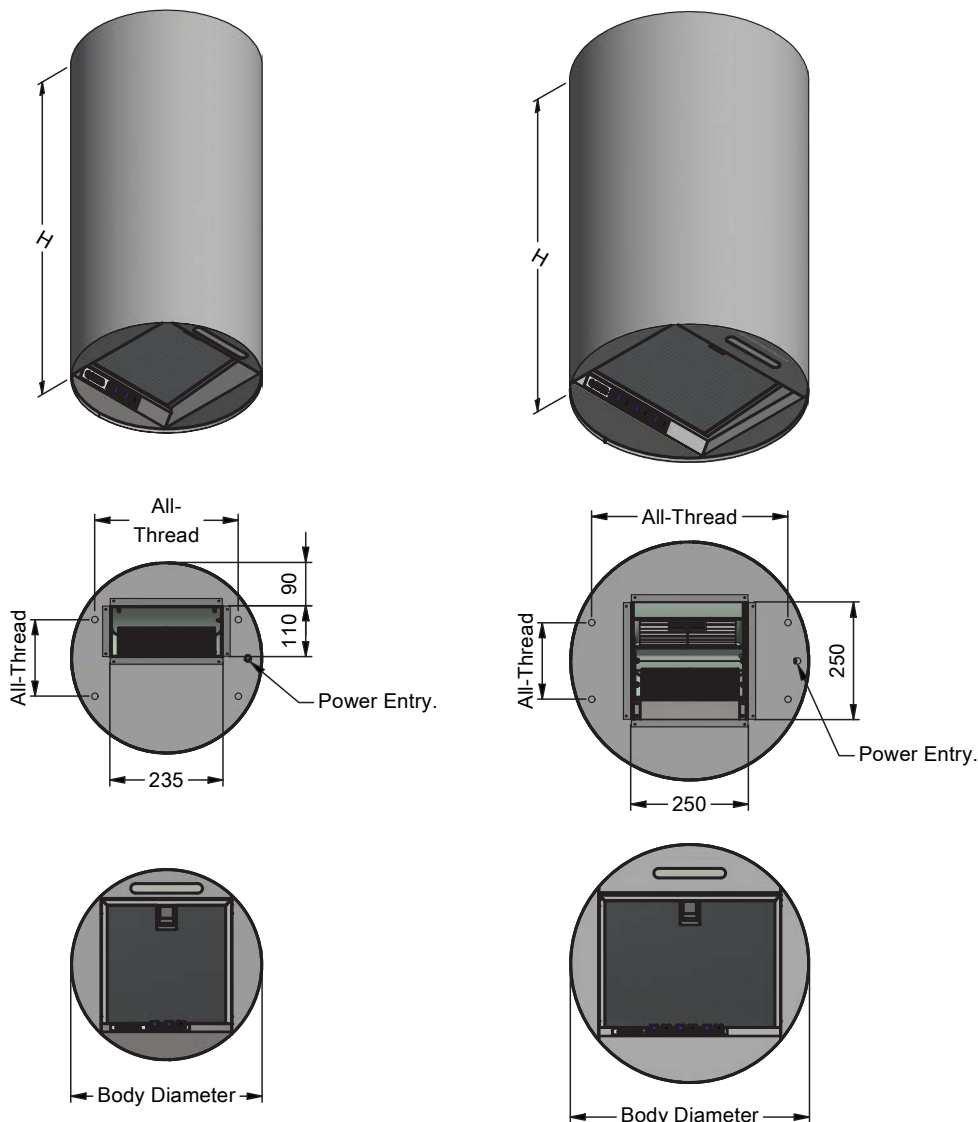
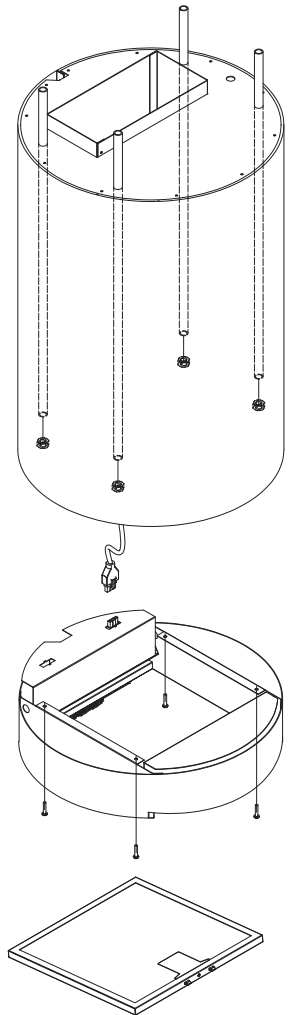


Model	PARI 1500L-3	Model	PARI 1500L-3
Body Width	1500mm	Filter Size	270x 250mm
Motor Box / Flue Width	N/A	Conversion Top/Back Back/Top	N/A
Motor Qty	3	Electrical Connection	10 Amp Lead
LED Light	Cool	Minimum Height (H =)	500
Nightlight	YES	Maximum Height (H =)	1150
Light Qty	3	PowderKote® Available	N/A
Light Centres	380	All-thread Fixing Centres	400mm x 1050mm
Filter Qty	8	Corner Type	Round
I-xy** Series		Condari Pty Ltd.	Version: C 23/03/2021F Page 1 of 1

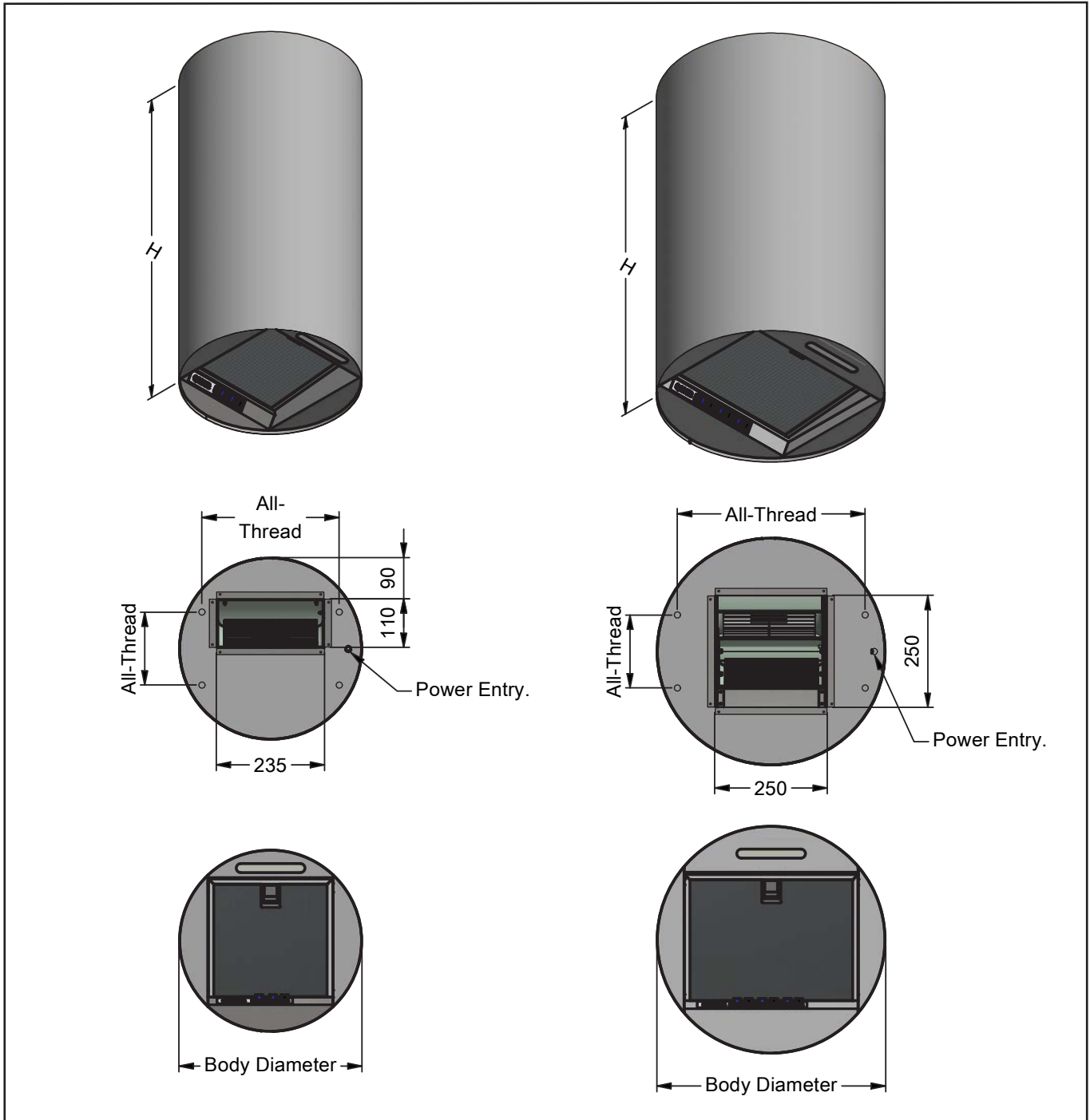
INSTALLATION INSTRUCTIONS

- D 400L-1 / SEN 400L-1
- D 500L-1 / SEN 500L-1

1. Remove rangehood from packaging and place on a flat clean surface.
2. Remove the filter.
3. Remove the four screws in the corners of the filter aperture.
4. Gently pull the base from the tube.
5. Once removed, the power supply and fan plug becomes visible. Disconnect and place the base assembly to one side.
6. Place the four lengths of All-thread rod through the holes in the hood and (make sure the seam is facing the right direction) secure through a brace in the ceiling. Feed the plug and cord into the ceiling space.
7. Fit nuts to top and bottom of All-thread rods and tighten.
8. Reconnect the power plug and reinstall base assembly.
9. Connect power supply in ceiling and test rangehood.
10. Fit off ducting as required

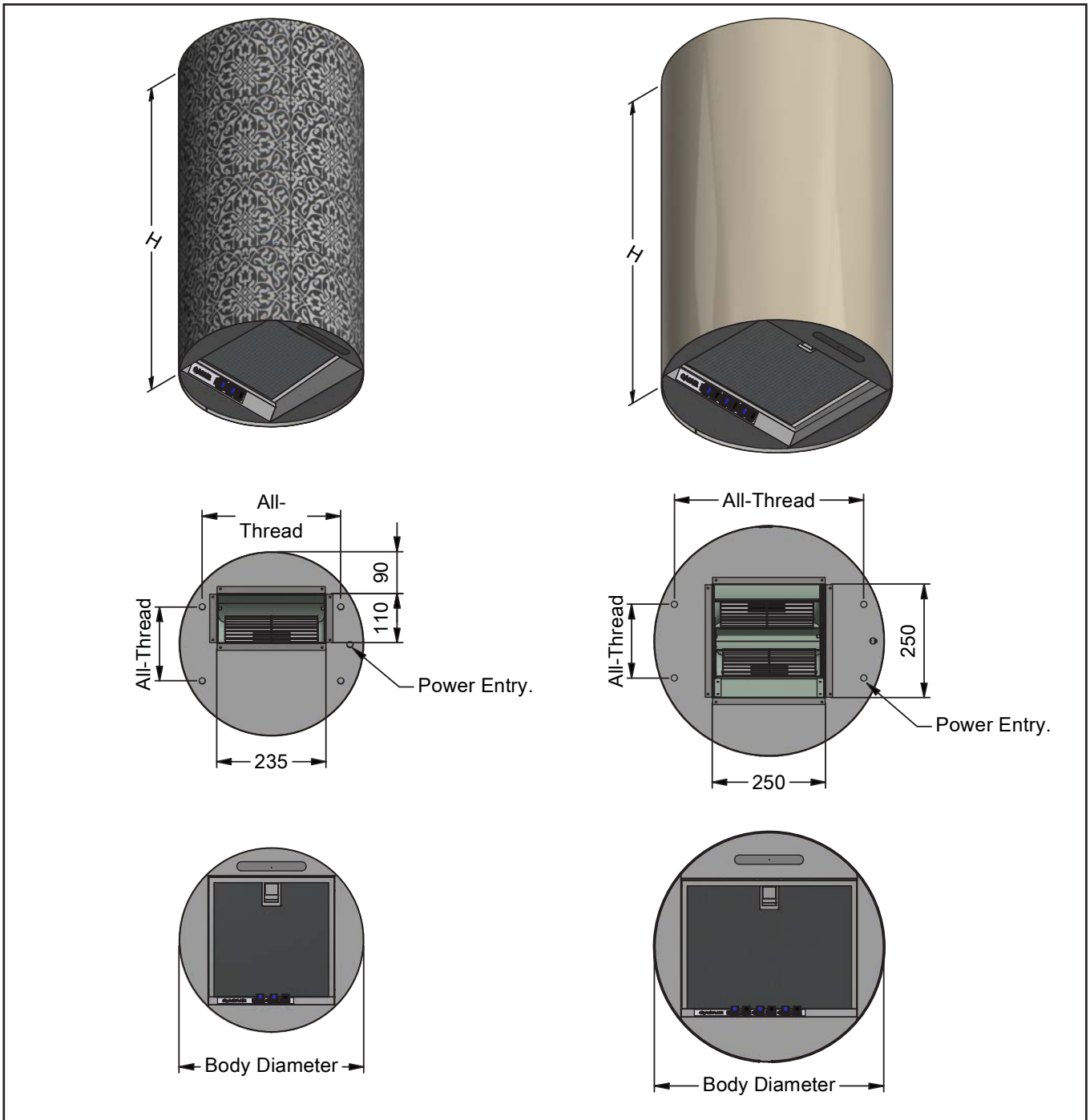


ALBANY - D



Model	D 400L-1	D 500L-2	Model	D 400L-1	D 500L-2
Body Diameter	400mm	500mm	Filter Size	272mm x 272mm	379mm x 290mm
Motor Box / Flue Width	N/A	N/A	Conversion Top/Back Back/Top	N/A	N/A
Motor Qty	1	2	Electrical Connection	10 Amp Lead	10 Amp Lead
LED Light	Cool	Cool	Minimum Height (H =)	550mm	650mm
Nightlight	NO	YES	Maximum Height (H =)	1500mm	1500mm
Light Qty	1	1	PowderKote® Available	YES	YES
Light Centres	Centre	Centre	All-thread Fixing Centres	300mm x 160mm	410mm x 160mm
Filter Qty	1	1	Corner Type	N/A	N/A
I-xy** Series			Condari Pty Ltd.	Version: D 17/03/2021F Page 1 of 1	

SENECA - SEN



Model	SEN 400L-1	SEN 500L-2	Model	SEN 400L-1	SEN 500L-2
Body Diameter	400mm	500mm	Filter Size	272mm x 272mm	379mm x 290mm
Motor Box / Flue Width	N/A	N/A	Conversion Top/Back Back/Top	N/A	N/A
Motor Qty	1	2	Electrical Connection	10 Amp Lead	10 Amp Lead
LED Light	Cool	Cool	Minimum Height (H =)	550mm	650mm
Nightlight	NO	YES	Maximum Height (H =)	1150mm	1150mm
Light Qty	1	1	PowderKote® Available	N/A	N/A
Light Centres	Centre	Centre	All-thread Fixing Centres	300mm x 160mm	410mm x 160mm
Filter Qty	1	1	Corner Type	N/A	N/A
I-xy** Series			Condari Pty Ltd.	Version: E 22/03/2021F Page 1 of 1	

INSTALLATION INSTRUCTIONS

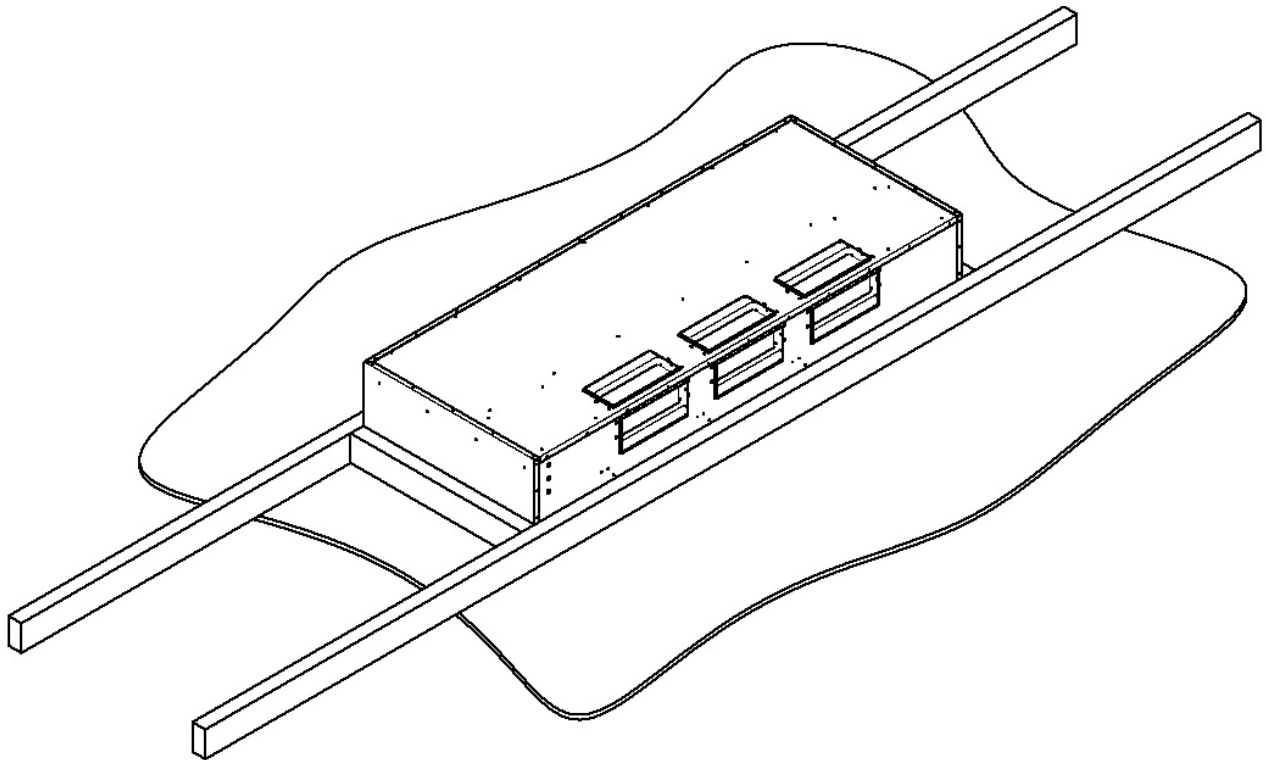
- **TR CT (REMOTE SWITCHED)**
- **LIV (REMOTE SWITCHED)**

*Installation must be carried out by the procedure outlined.
Failure to do so may void the guarantee.*

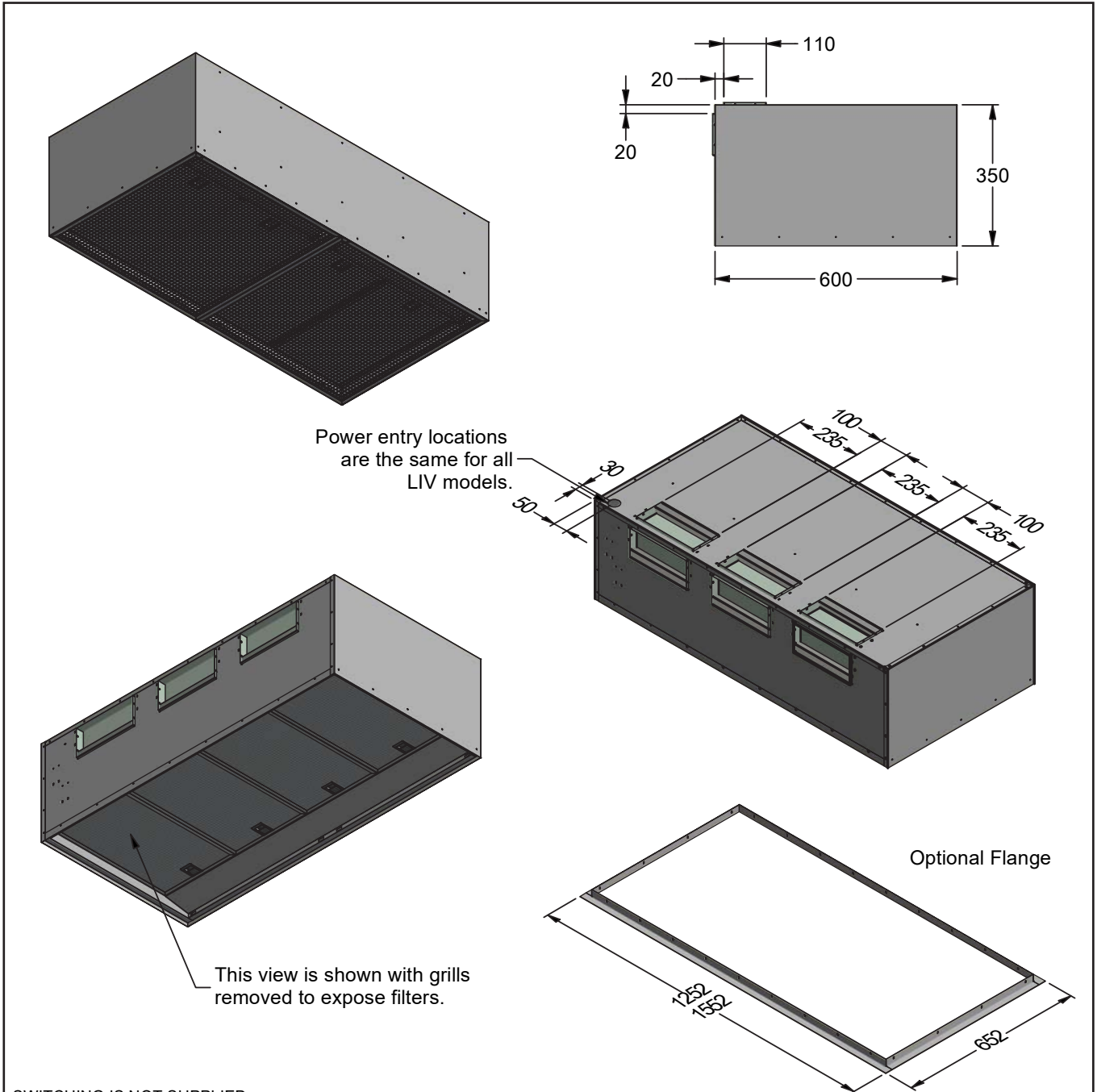
Electrical: *Wiring to the appliance must comply with State and local Regulations.
Connection to be carried out by a registered electrician.*

1. The Thermidor & Liverpool Rangehood is designed to be installed into an area that has a flat ceiling with no change in ceiling height. If the ceiling is part of a bulkhead or has a recess or has a cathedral ceiling adjacent to it please consult a Condari representative.
2. Remove hood from packaging being careful not to touch the stainless steel front.
3. Locate centre of stove and using level or plumb line, mark centre line up to the ceiling.
4. In a new house the hood can be fixed into the ceiling space by bolting or screwing into the ceiling joists or by building a frame to support the hood.
5. In an existing home, a hole must be cut into the ceiling and pushing the hood into the space. Ensure there are no obstructions to placing the hood in position. In these cases a ceiling flange in stainless can be supplied to finish the rangehood to the ceiling. It is not supplied in colours.
6. The outlets are either top or back ducted and can be changed on site and the hood can be reversed to suit the intended ducting direction.
7. Once secure in position standard ducting pieces can be used.
8. Switches are not provided and remote switching in a convenient position must be installed. The switching used must be an electrically approved switch and is not provided by Condari.
8. The TR CT can be wired with either individual fan control or one pair of switches to control all fans together.

Contact Condari for further information



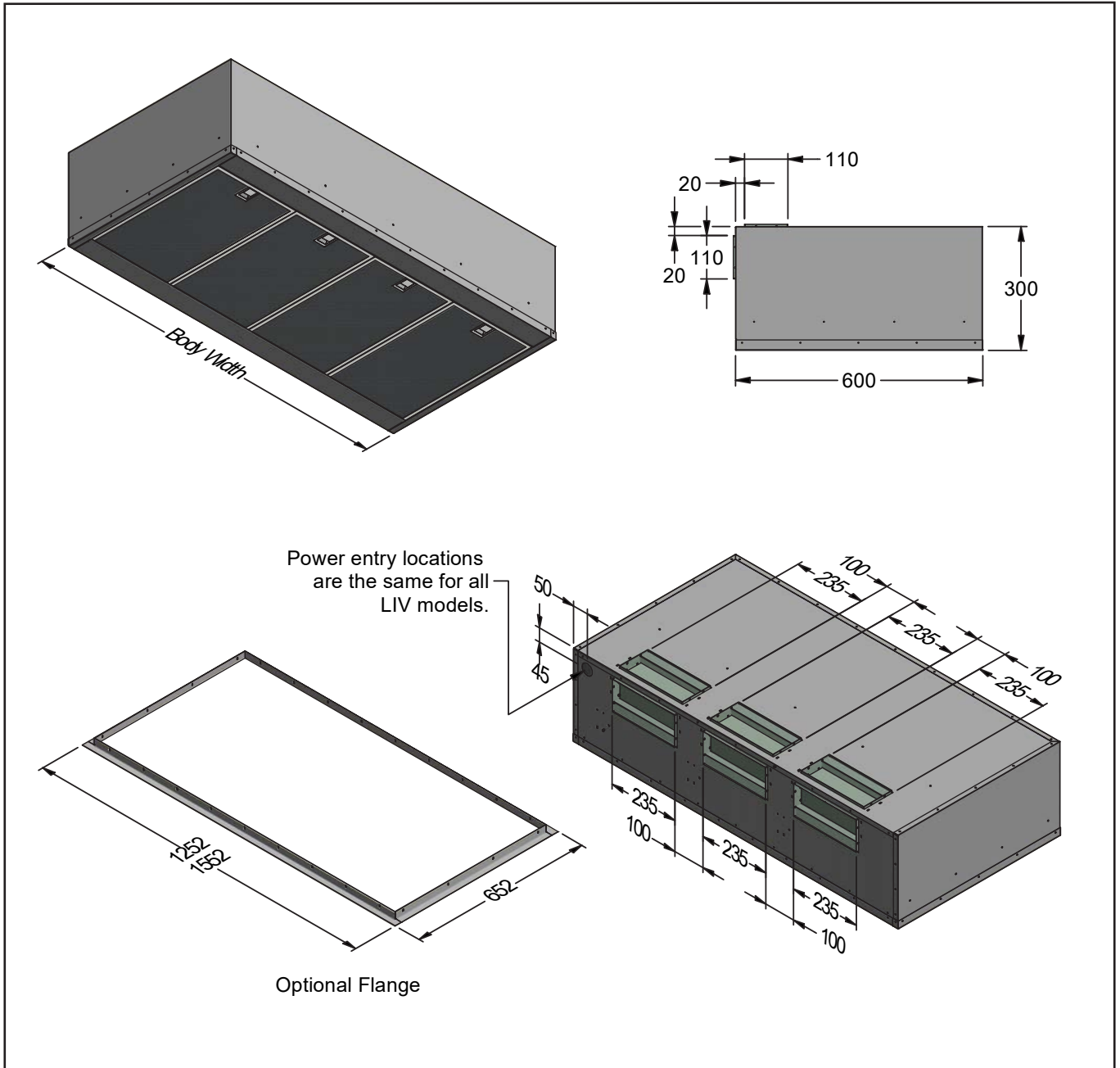
THERMIDOR - TR CT



SWITCHING IS NOT SUPPLIED.
ELECTRICAL CONNECTION IS MADE AT JUNCTION BOX INSIDE RANGEHOOD.

Model	TR CT 1200-3	TR CT 1500-3	Model	TR CT 1200-3	TR CT 1500-3
Body Width	1200mm	1500mm	Filter Size	290mm x 480mm	290mm x 480mm
Motor Box / Flue Width	N/A	N/A	Conversion Top/Back Back/Top	YES	YES
Motor Qty	3	3	Electrical Connection	Junction Box	Junction Box
LED Light	NO	NO	Minimum Height (H =)	N/A	N/A
Nightlight	NO	NO	Maximum Height (H =)	N/A	N/A
Grill Qty	2	3	PowderKote® Available	N/A	N/A
Grill Size	598mm x 596mm	498mm x 596mm	All-thread Fixing Centres	N/A	N/A
Filter Qty	4	5	Corner Type	Square	Square
I-xy** Series			Condari Pty Ltd.	Version: F 06/10/2021F Page 1 of 1	

LIVERPOOL - LIV



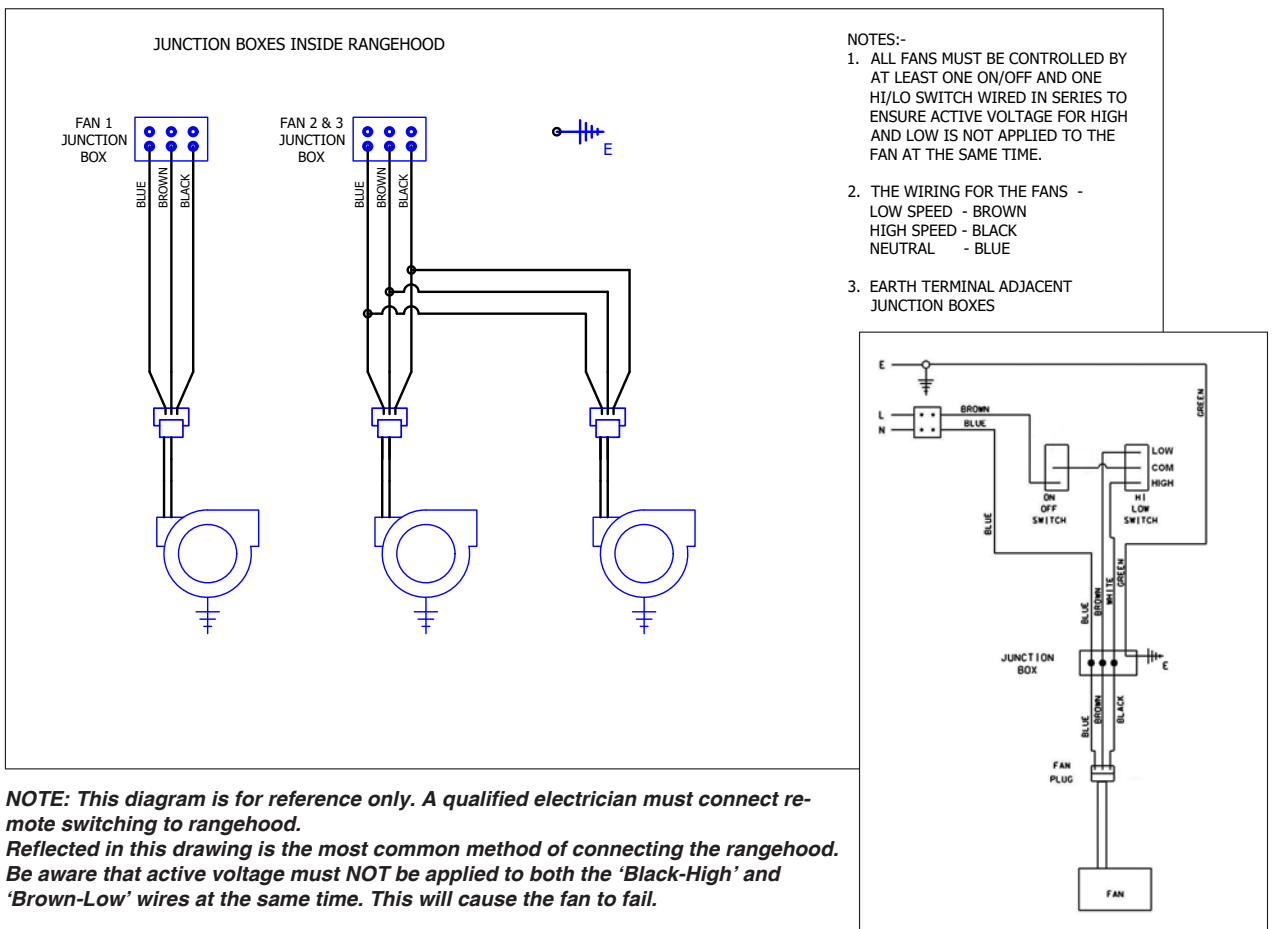
SWITCHING IS NOT SUPPLIED.
ELECTRICAL CONNECTION IS MADE AT JUNCTION BOX INSIDE RANGEHOOD.

Model	LIV 1200-3	LIV 1500-3	Model	LIV 1200-3	LIV 1500-3
Body Width	1200mm	1500mm	Filter Size	290mm x 480mm	290mm x 480mm
Motor Box / Flue Width	N/A	N/A	Conversion Top/Back Back/Top	YES	YES
Motor Qty	3	3	Electrical Connection	Junction Box	Junction Box
LED Light	N/A	N/A	Minimum Height (H =)	N/A	N/A
Nightlight	N/A	N/A	Maximum Height (H =)	N/A	N/A
Light Qty	N/A	N/A	PowderKote® Available	N/A	N/A
Light Centres	N/A	N/A	All-thread Fixing Centres	N/A	N/A
Filter Qty	4	5	Corner Type	Square	Square
I-xy** Series			Condari Pty Ltd.	Version: E 06/10/2021F Page 1 of 1	

REMOTE SWITCHING SPECIFICATIONS 3 FAN (no lights)

1. Wiring to the appliance must comply with State and local regulations.
2. Switching is not provided with this unit.
3. You may use any approved switching to connect the rangehood (e.g. Clipsal switches).
4. All fans must be controlled by at least one ON/OFF and one HI/LO switch.
5. Please refer to wiring diagram below for detailed wiring information.

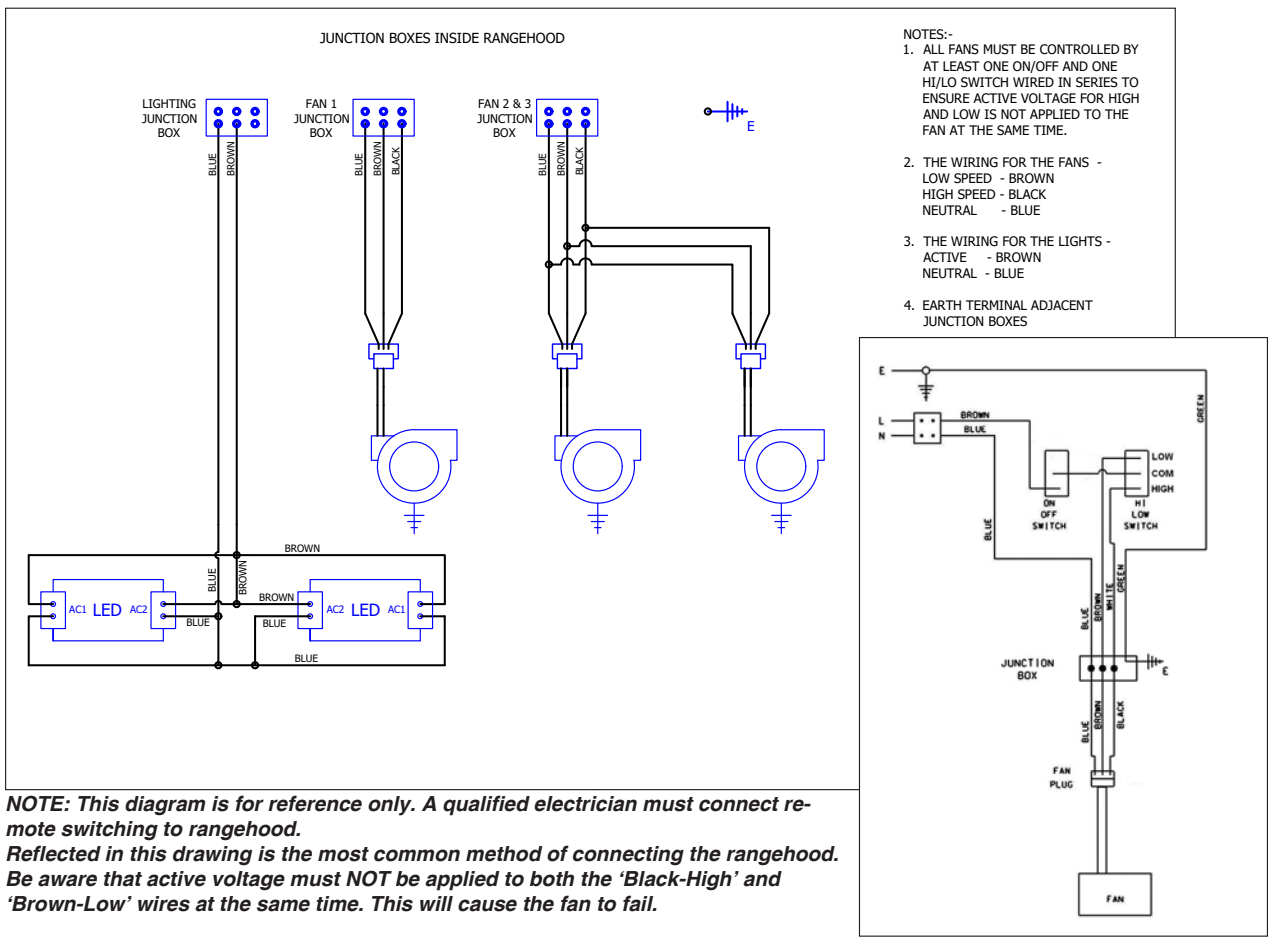
WIRING DIAGRAM



REMOTE SWITCHING SPECIFICATIONS 3 FAN with LED

1. Wiring to the appliance must comply with State and local regulations.
2. Switching is not provided with this unit.
3. You may use any approved switching to connect the rangehood (e.g. Clipsal switches).
4. All fans must be controlled by at least one ON/OFF and one HI/LO switch.
5. Please refer to wiring diagram below for detailed wiring information.

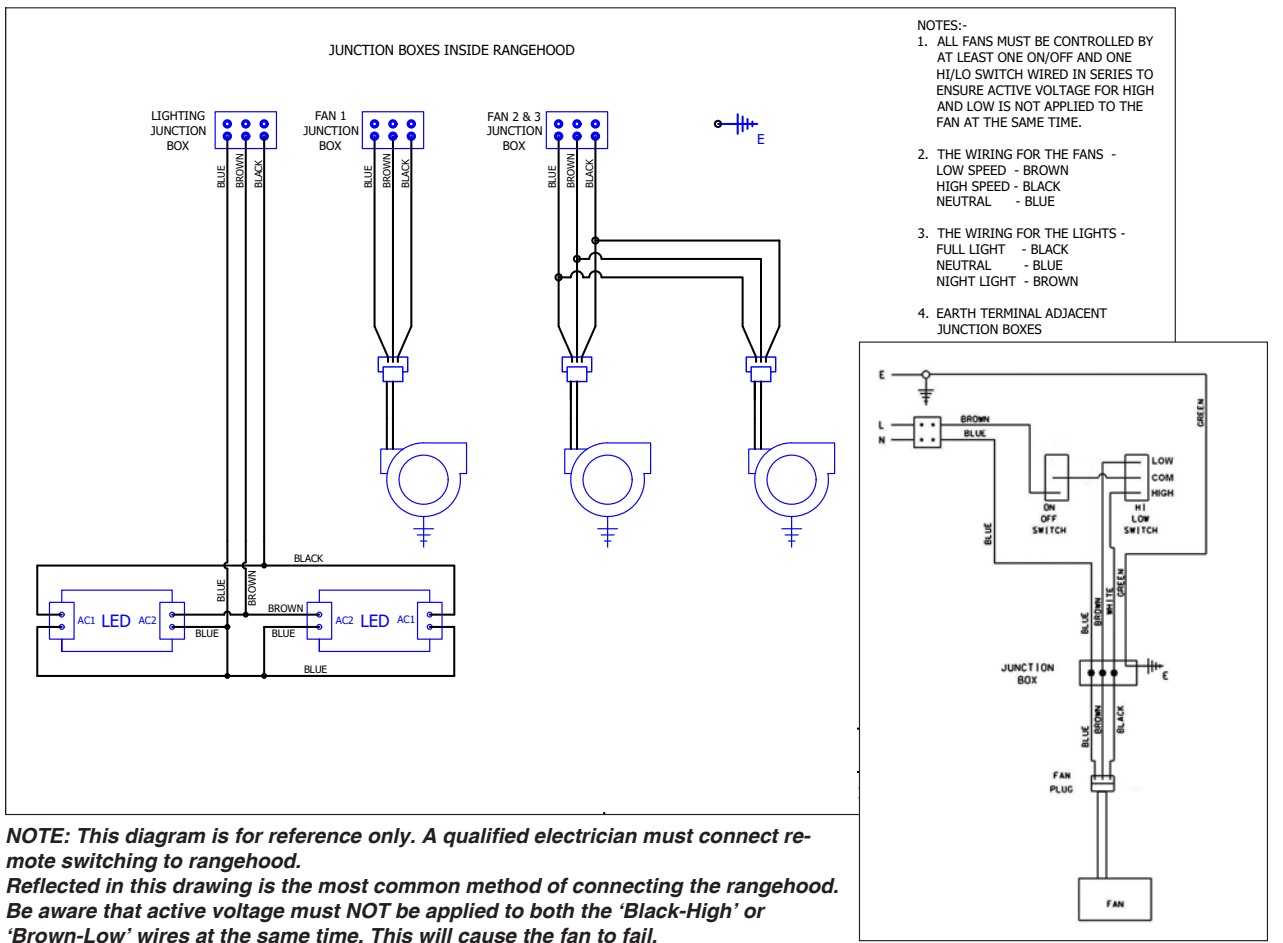
WIRING DIAGRAM



REMOTE SWITCHING SPECIFICATIONS 3 FAN, LED and NIGHTLIGHT

1. Wiring to the appliance must comply with State and local regulations.
2. Switching is not provided with this unit.
3. You may use any approved switching to connect the rangehood (e.g. Clipsal switches).
4. All fans must be controlled by at least one ON/OFF and one HI/LO switch.
5. Please refer to wiring diagram below for detailed wiring information.

WIRING DIAGRAM



INSTALLATION IDEAS

For all your ducting requirements please refer to the Qasair rangehoods ducting pieces brochure included with your rangehood or please consult our website where it can be viewed or downloaded.

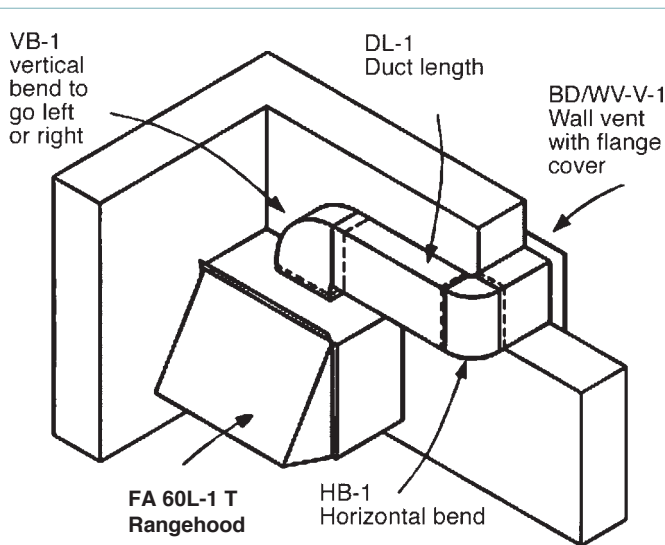
Condari recommends Qasair and Condor Rangehoods be installed using ducting that is:

- rigid
- non-flammable
- correctly sized

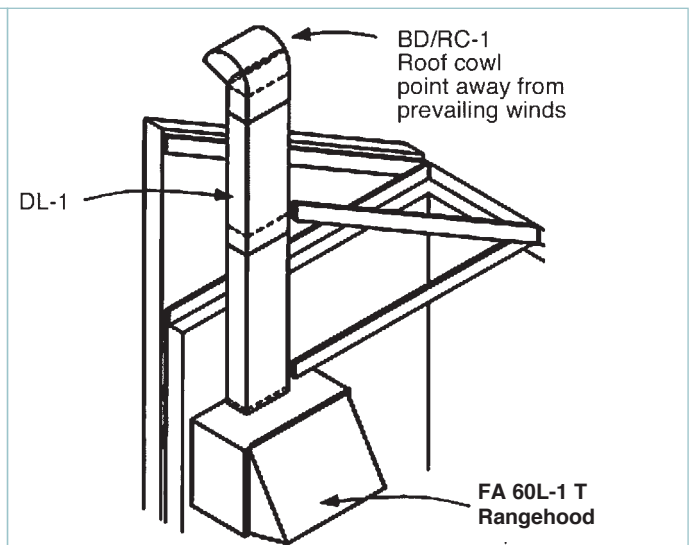
This will ensure that maximum air movement with minimum noise levels is achieved.

Ducting incorrectly, with flexible or smaller diameter ducting will dramatically reduce the air movement and increase the noise level of the rangehood and will void the manufacturer's warranty.

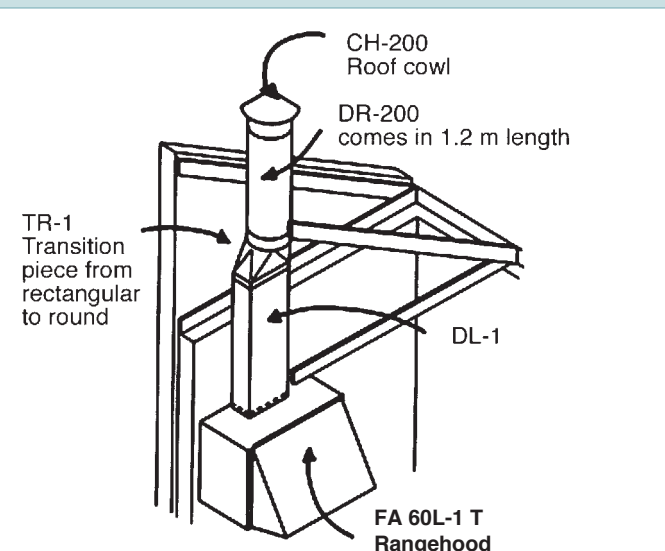
The Installation Ideas below will give you some guidelines on how to correctly duct your Qasair and Condor Rangehood using Qasair and Condor ducting pieces.



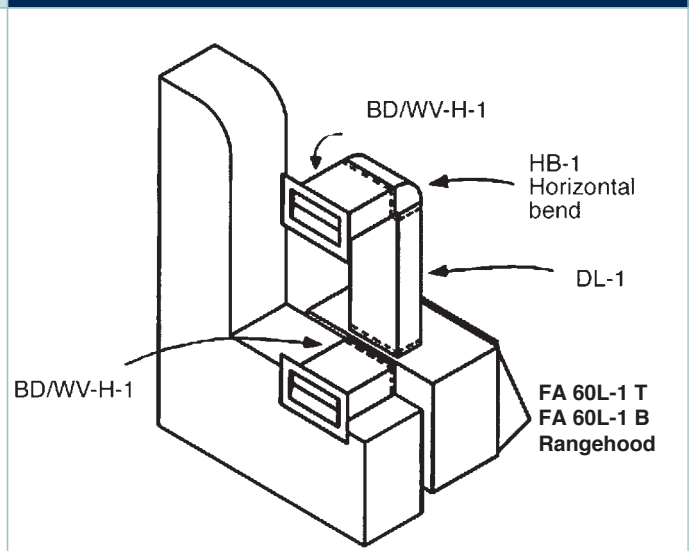
3. FA 60L-1 T



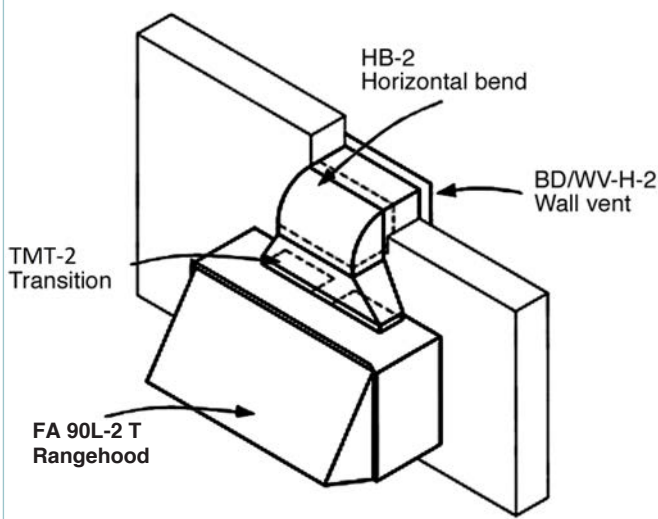
4. FA 60L-1 T



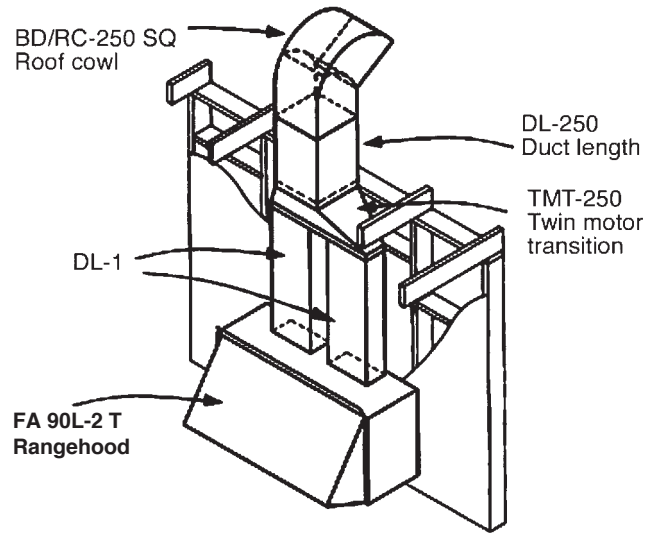
5. FA 60L-1 T



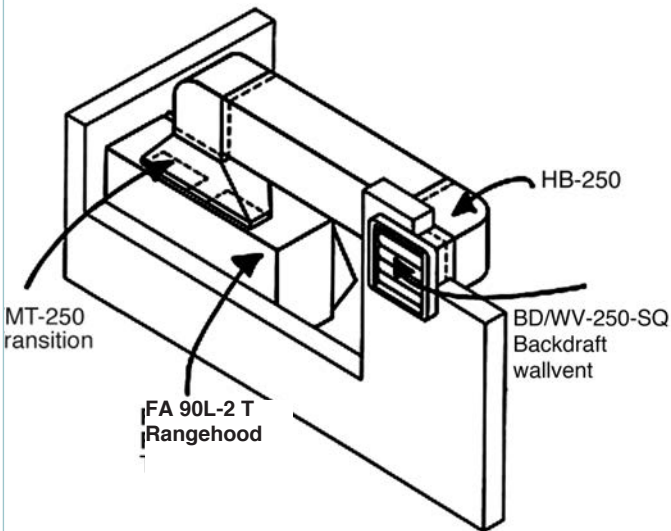
6. FA 60L-1 T / FA 60L-1 B



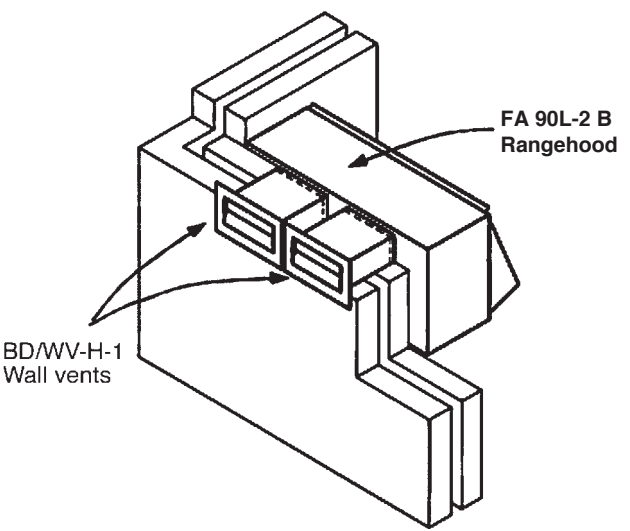
7. FA 90L-2 T



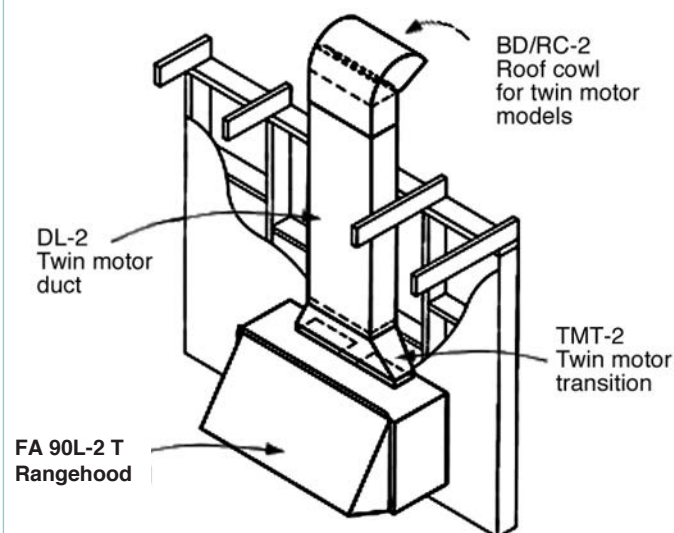
8. FA 90L-2 T



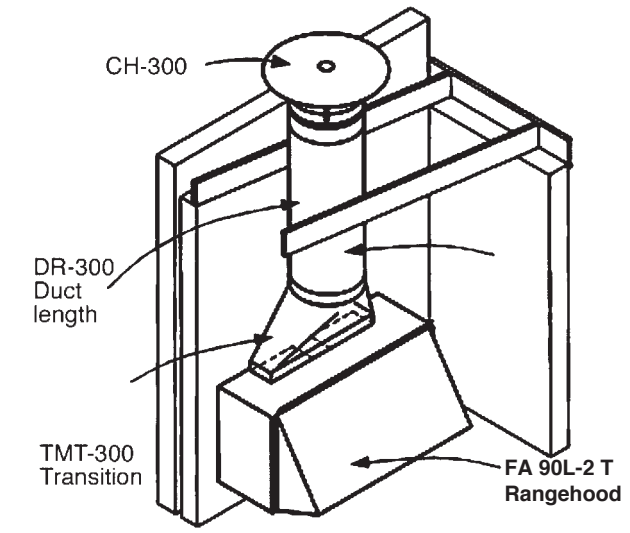
9. FA 90L-2 T



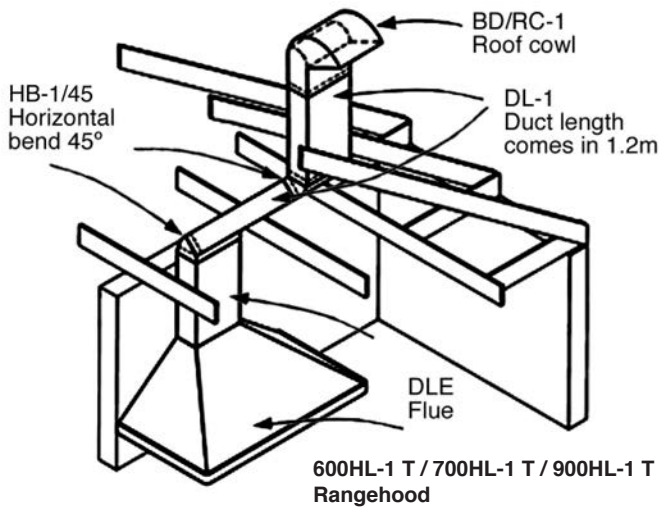
10. FA 90L-2 B



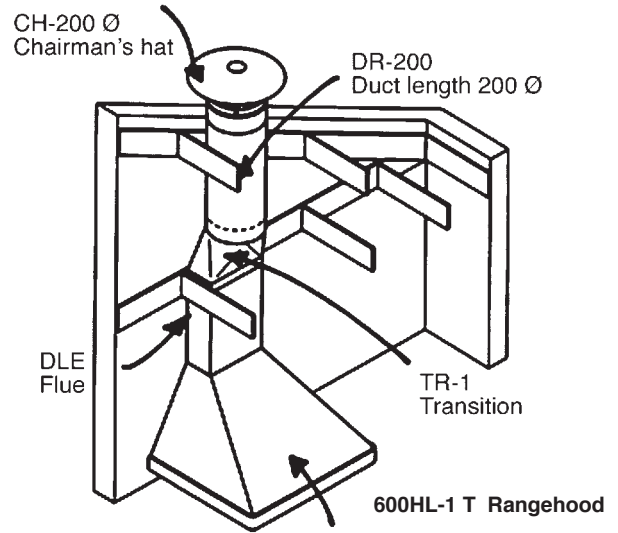
11. FA 90L-2 T



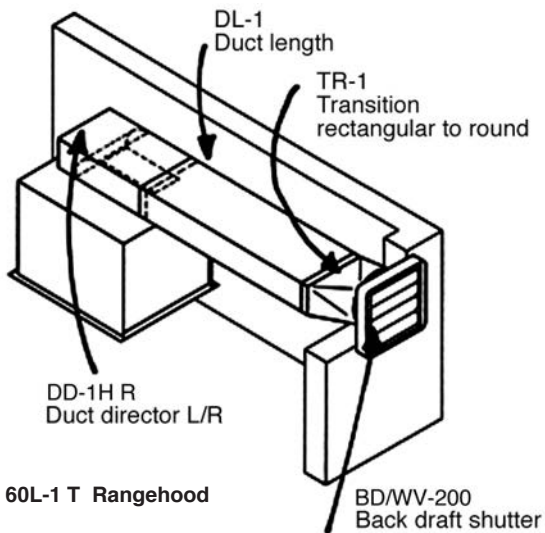
12. FA 90L-2 T



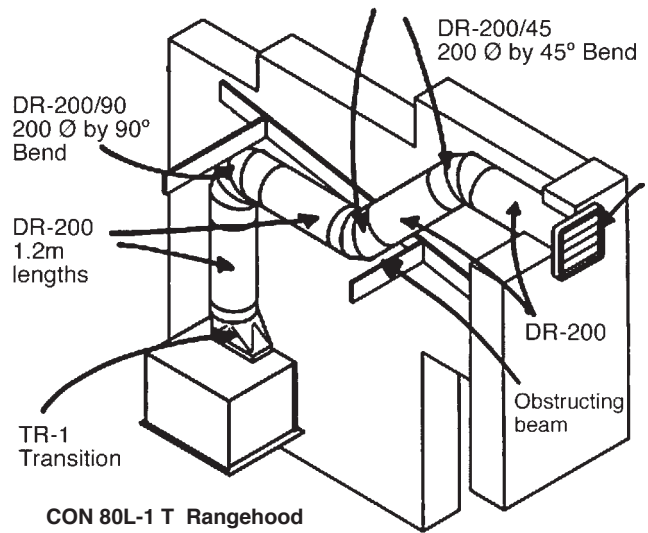
13. 600HL-1 T / 700HL-1 T / 900HL-1 T



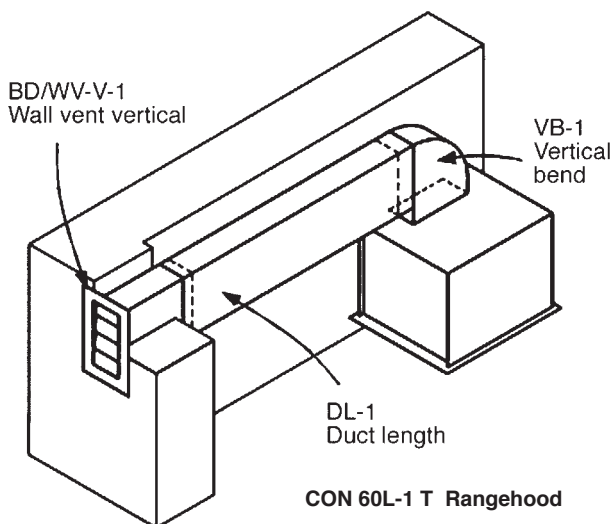
14. 600HL-1 T



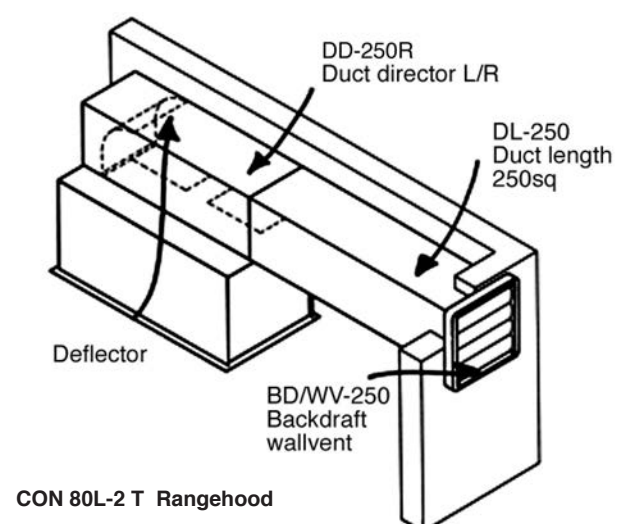
15. CON 60L-1 T



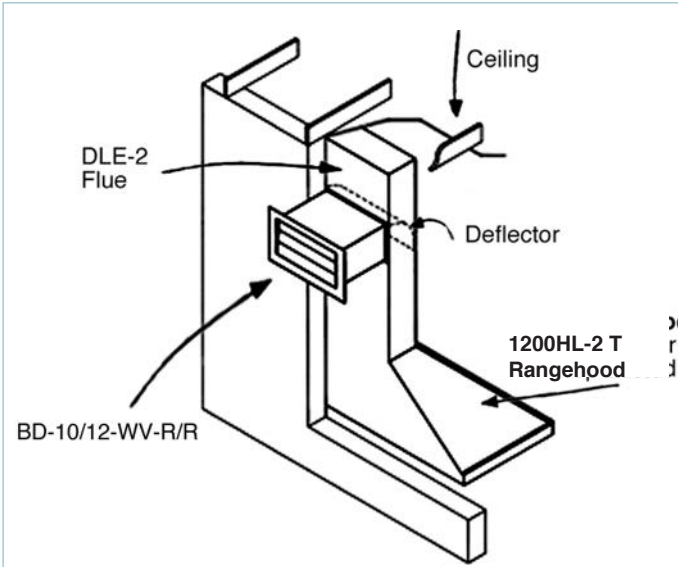
16. CON 80L-1 T



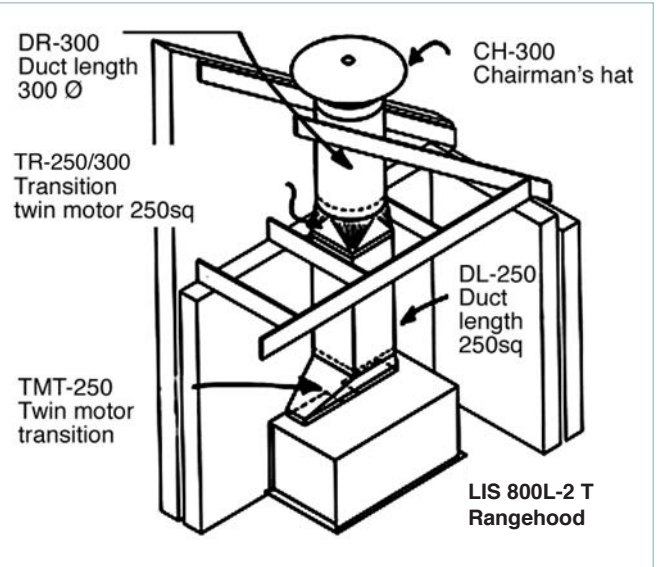
17. CON 60L-1 T



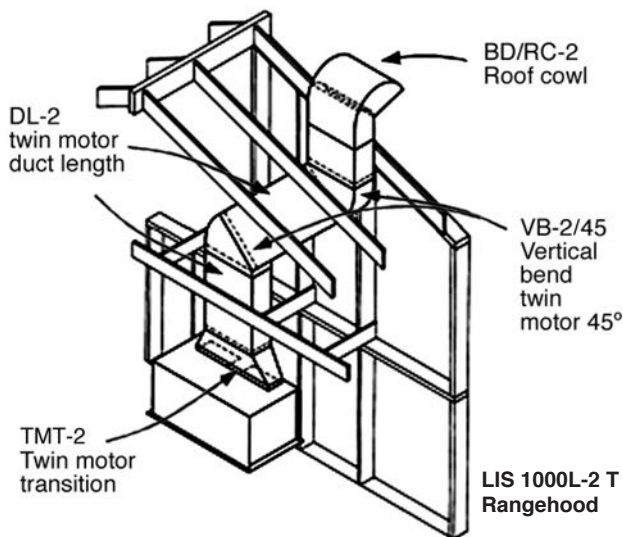
18. CON 80L-2 T



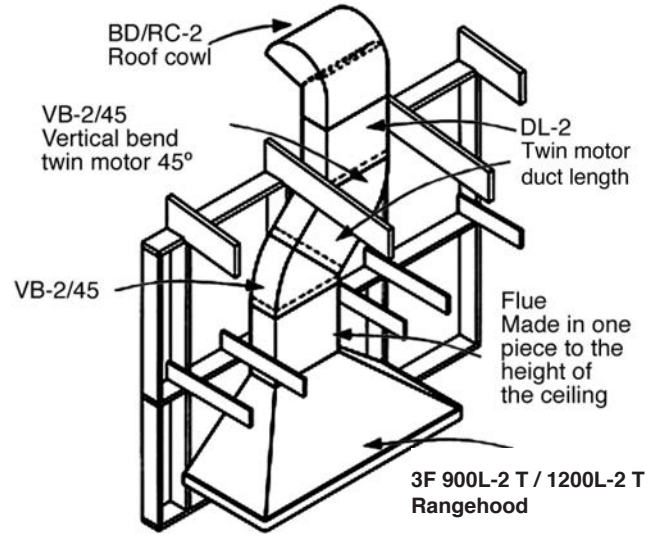
19. 1200HL-2 T



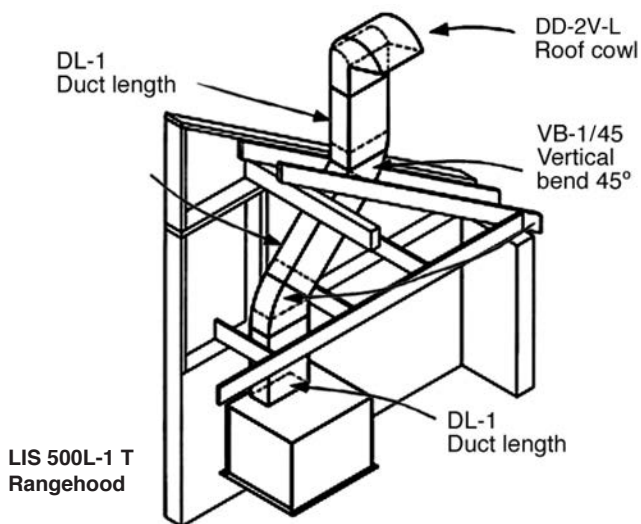
20. LIS 800L-2 T



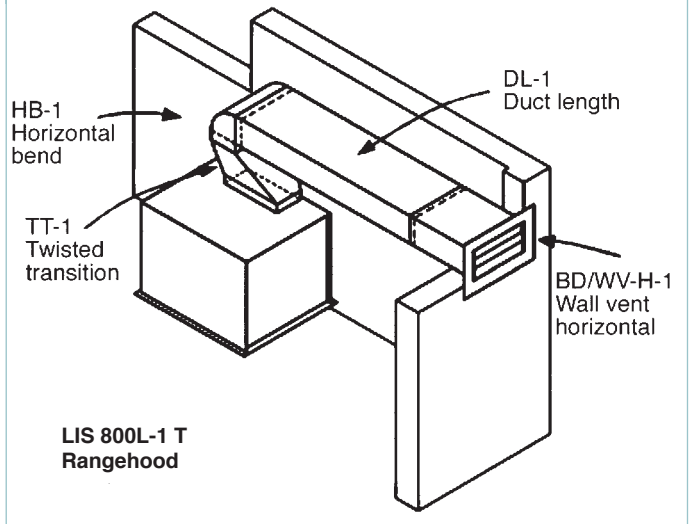
21. LIS 1000L-2 T



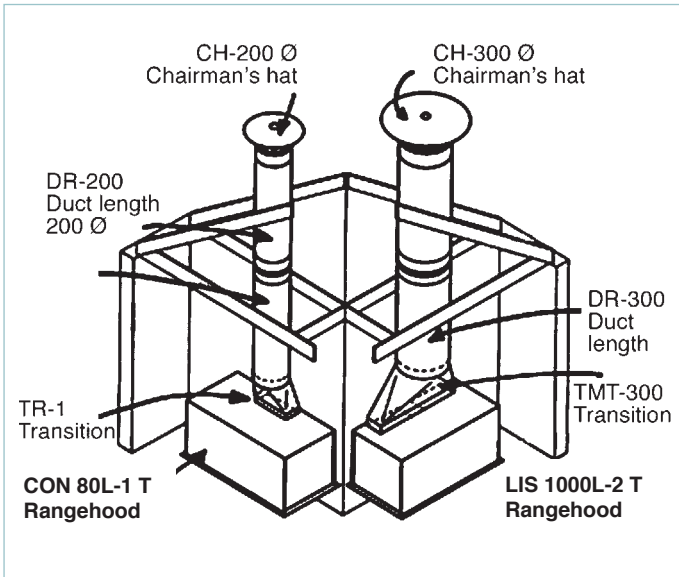
22. 3F 900L-2 T / 1200L-2 T



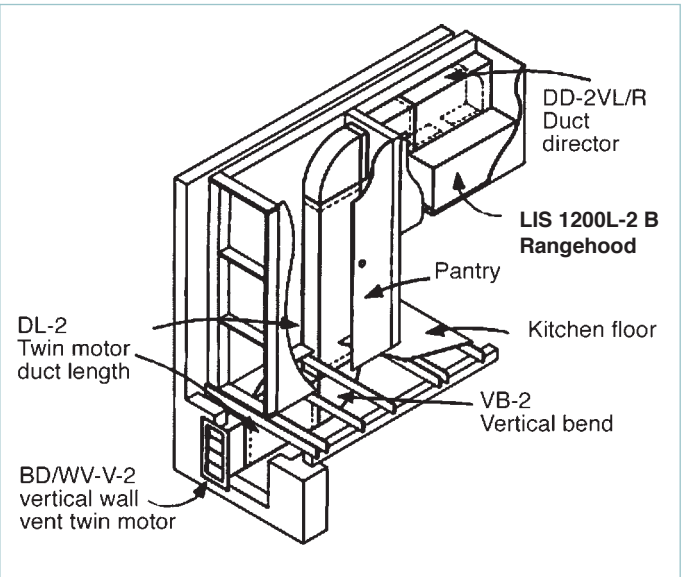
23. LIS 500L-1 T



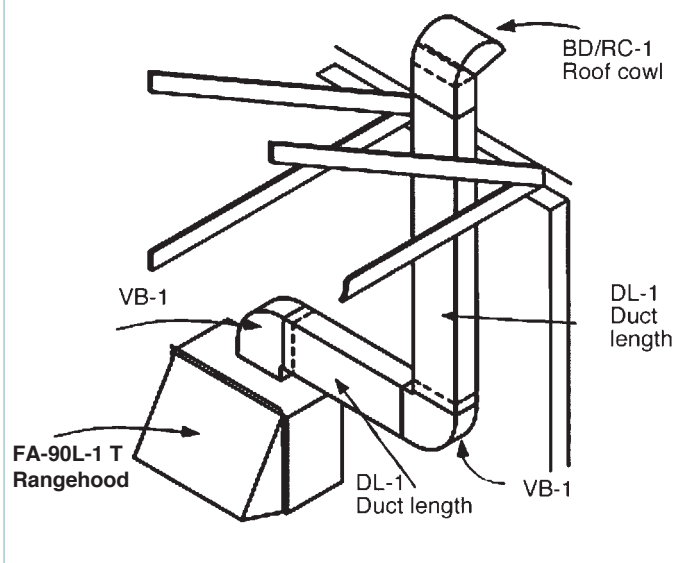
24. LIS 800L-1 T



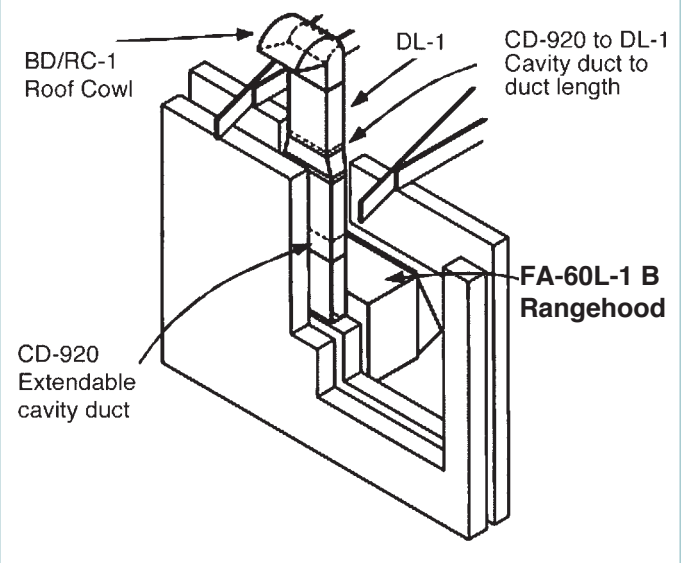
25. CON 80L-1 T / LIS 1000-2 T



26. LIS 1200L-2 B

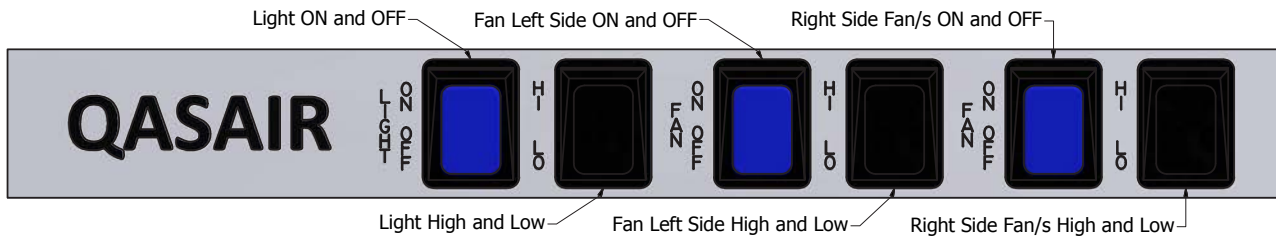


2. FA 90L-1 T



1. FA 60L-1 B

OPERATION DETAILS



RANGEHOOD CLEANING

Qasair rangehoods are made from stainless steel, either type 304 or type 316.

* Type 304 is classified as 18/8 stainless steel

* Type 316 is classified as 18/10 stainless steel

This means that the stainless steel is made of 18% nickel and either 8% or 10% of chromium respectively. Stainless steel gets its protective coating from the chromium oxidising in the air to form a protective surface of chromium oxide. This can be attacked by different substances, such as salt water or sea air. The stainless steel will start to show pit marks which are referred to in the industry as tea staining. This will happen to marine grade stainless steel type 316 in the same way it will happen to stainless steel type 304, it will just take longer to happen.

The way to overcome this is to clean the stainless steel with warm soapy water and then polish it with a cloth so that the chromium will oxidise again.

When exposed to sea water or sea side conditions this is only a stop gap measure as the attack will start again.

With stainless steel rangehoods exposed in alfresco areas we recommend spraying the hood with vegetable oil and rubbing it all over the rangehood, if it is going to be unused over a period of time.

FILTER CLEANING

For the best results, please clean filters regularly.

Condari recommends cleaning filters once per month, or immediately after heavy use.

You can do this by hand washing in warm soapy water, or by placing filters in the top rack of the dishwasher using a detergent of pH 8 or less.

Note: Washing the filters in the dishwasher may cause discolouration of the filters.

We recommend washing filters in the dishwasher without detergent or use one of the powder detergent.

Ensure the filters are completely dry before placing them back.

Do not operate the rangehood without the filters installed.

Condari does not recommend the use of corrosive, caustic or acidic products, particularly industrial or citric products.

Condari has experienced problems with many of the dishwashing detergents now on the market.

Particularly with the tablet type detergents as many come from overseas, which are made for a hard water environment. We have found that these detergents have a deleterious effect on the filters and the result is that the filters last for about 50 to 60 washes.

This is equivalent to about 5 to 6 years life.

CONDARI PTY LTD APPLIANCE GUARANTEE

The benefits conferred by this warranty are in addition to all other rights and remedies in respect of the product which the consumer has under the Competition and Consumer Act 2010 and similar state and territory laws.

Condari in Melbourne (and by their agency in Country Areas and other States) warrants that the appliance will be free from defects in materials and workmanship for a period of 36 months from the date of purchase of the appliance to the consumer.

If there is a breach of this warranty, Condari will rectify, free of charge, at its nearest service centre or authorised service agency any fault caused by faulty workmanship or material at the time of manufacture occurring in the appliance within 36 months from the date of purchase of the appliance to the customer.

This warranty is conditional upon the appliance being used only for personal, domestic and household purposes and installed and operated in accordance with Qasair instructions and does not apply to articles which by their nature are consumable.

If a defect is caused by neglect, misuse, or failure to follow operating instructions where special precautions are detailed for user attention then a charge shall be made for the service call.

For example:

With the filters the user is specifically requested:

- To clean filter regularly by handwashing or placing in a dishwasher at least once a month.
- To turn rangehood off after each use.
- Warranty under filter cleaning on page 34.

Where a claim is made under warranty, Condari reserves the right to determine whether or not the fault is caused by faulty workmanship or material or that the part is defective.

The consumer shall be fully responsible for all expenses whatsoever incidental to the removal of parts from the unit or to their replacement. Amongst other things, such responsibility shall extend to damaged walls, tiles, fixtures and fittings whether or not the unit has been built into a cupboard and irrespective of the stage either of its installation or the fitting of any other item whatsoever in its vicinity.

No other person, firm or corporation is authorised by Condari to offer or give on its behalf any other greater warranty than that given by Condari under this warranty.

Condari provides to all Qasair rangehoods a 10 year motor replacement warranty. This is a change over warranty.

The installation of the rangehood must comply with the information in this guide. Failure to follow the instructions may result in loss of the warranty.

We do point out that incorrect installation such as the ducting being the incorrect size or the duct run being too long will result in the motor failing and possible burning out.

The change over will be carried out by a authorised technician and will be charged at the rates applicable at time of the change over.

EXCLUSIONS

There are some exclusions from the Condari Guarantee. (on previous page)

Qasair rangehoods are not to be used over barbecues approved for outdoor use only.

Condor rangehoods are designed to be used over all domestic barbecues available in Australia.

For barbecues approved for outdoor use only we recommend the installation of a Condor rangehood. Condor rangehoods are designed to move a greater volume of air to cope with the extra heat and smoke that a barbecue will produce.

Qasair rangehoods are designed for use over all domestic cooking appliances with a megajoule rating up to 50mj. Qasair does manufacture rangehoods for high powered appliances that exceed this rating, please consult with your Qasair representative to determine which rangehood is suited to your needs or whether a special rangehood will need to be manufactured.

Condari will manufacture special rangehoods to go over commercial cooking appliances situated in domestic kitchens.



STANDARD WARRANTY

Date purchased: _____

Purchased from: _____

Model: _____

Serial No: _____

The purchaser must fill in the above information and keep this with the original purchase document. This form must be produced if and when a claim is made under this warranty.

QASAIR Rangehoods are made in Ringwood, Australia.

Tel: +61 3 9482 7088

Fax: +61 3 9482 7011

Email: sales@condari.com.au

The Warranty is from the date of purchase and the service technician will need to see proof of purchase before, we provide service under the guarantee.

If no proof of purchase can be provided, then the service call will be charged at standard rates, if proof is provided later reimbursement will be made.



EXTENDED WARRANTY

Condari provides an extended warranty from 36 months to 72 months if installed by an authorised Qasair installer and the below form is completed.

The authorised installer also offers a warranty on their workmanship for the same period of 72 months with a guarantee that the installation is in compliance with 'Qasair installation instructions'.

Customer Name: _____

Model Number: _____ Serial Number: _____

Purchased from: _____ Purchase Date: _____

Installer Name: _____ Installed Date: _____

Installer Signature: _____

Installer is to confirm the following:

- Rangehood has been installed as per Qasair Instructions.
- All Ducting installed is as per Condari type and size.
- Ducting cross-sectional area has not been reduced along the length of the duct run.
- All Ducting joints have been appropriately sealed.

The installation warranty does not cover the ageing process in a building or any problems due to storm damage.

The Extended Warranty is from the date of purchase and the service technician will need to see proof of purchase before, we provide service under the guarantee.

If no proof of purchase can be provided, then the service call will be charged at standard rates, if proof is provided later reimbursement will be made.



DISTRIBUTED IN AUSTRALIA BY CONDARI PTY LTD

Tel: 1300 360 563

HEAD OFFICE

VIC Tel: 03 9482 7088 Fax: 03 9482 7011

Email: sales@condari.com.au

Website: www.condari.com.au

YOUR DISTRIBUTORS

NSW/ACT	Tel: 02 9316 4599	Fax: 02 9316 9299	Email: salesnsw@qasair.com.au
QLD	Tel: 07 3423 3503	Fax: 07 3282 9122	Email: salesqld@qasair.com.au
WA	Tel: 08 9242 5387	Fax: 08 9201 0887	Email: saleswa@qasair.com.au
SA/NT	Tel: 1300 360 563	Fax: 03 9482 7011	Email: salessa@qasair.com.au
TAS	Tel: 03 9482 7088	Fax: 03 9482 7011	Email: sales@qasair.com.au

New Zealand

Kouzina Appliances

Email: sales@kouzina.co.nz

Singapore

Eldric Marketing Pte Ltd

Email: enquiry@eldric.sg

CONDARI RESERVES THE RIGHT TO CHANGE SPECIFICATION WITHOUT NOTICE
QASAIR RANGEHOODS MADE IN RINGWOOD 3134

rev. 061021



www.condari.com.au