

Royalet RM-2000

Remote Control Electronic Bidet seat.



	Features
Wash/Dry Functions	Wash
	Bidet
	Enema Wash
	Dry
	Deodorization
	Bubble Wash
	Continuous Warm Water Supply
Convenient/Comfort Function	Automatic Energy Saving
	Learning Energy Saving
	Massage
	Rhythmic Pulse
	Remote control unit
	Warm Seat
	Soft Close Lid & Seat
	Detachable Main Body
Child	

"The best seat in the house!"
Scott Cam, TV Presenter



WASH

Runs the wash function (2 mins).

BIDET

Runs the bidet function. (2 mins).

ENEMA WASH

Runs the Enema Wash function (2 mins). Will not operate during Child Mode.

DRY

Runs the dryer function (2 mins).

PULSE

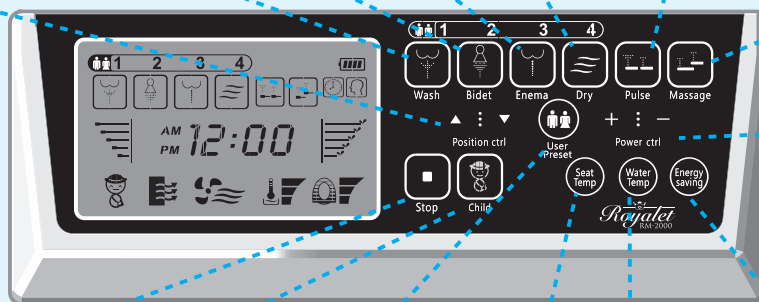
Runs the Pulse function on the Wash/Bidet/Enema mode. Water pressure cycles repeatedly from strong to weak.

MASSAGE

Runs the Massage function during Wash/Bidet mode. Nozzle moves back and forth repeatedly. Will not operate during Enema Wash Mode.

NOZZLE POSITION

Moves nozzle location to desired position.



POWER CONTROL

Adjusts level of water pressure or air dryer in 5 steps.

STOP

Stops all functions.

CHILD

Children safety mode. Nozzle moves forward and water pressure weakens. Enema Wash will not run.

USER PRESET

Users can preset and store personal settings in the memory.

WATER TEMP

Adjusts the water temperature: Off, Low (34°C) Medium (36°C) and High (38°C).

SEAT TEMP

Adjusts the seat temperature: Off, Low (34°C) Medium (38°C) and High (42°C).

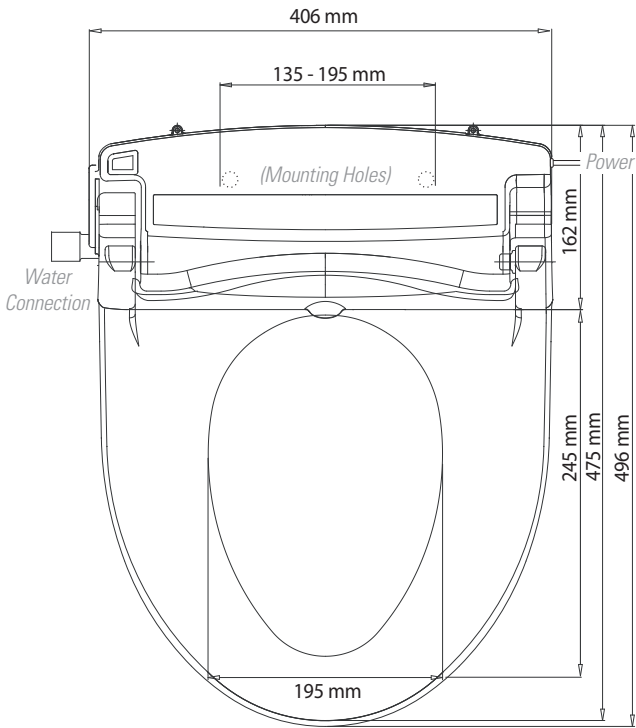
ENERGY SAVING

1 step: Automatic mode
 2 step: Learning Energy saving
 3 step: Cancel energy saving function

RM-2000 Dimensions

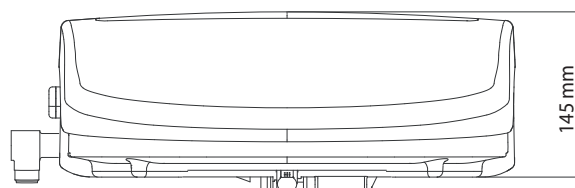
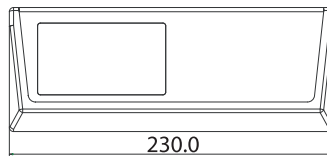
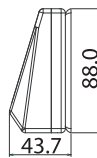
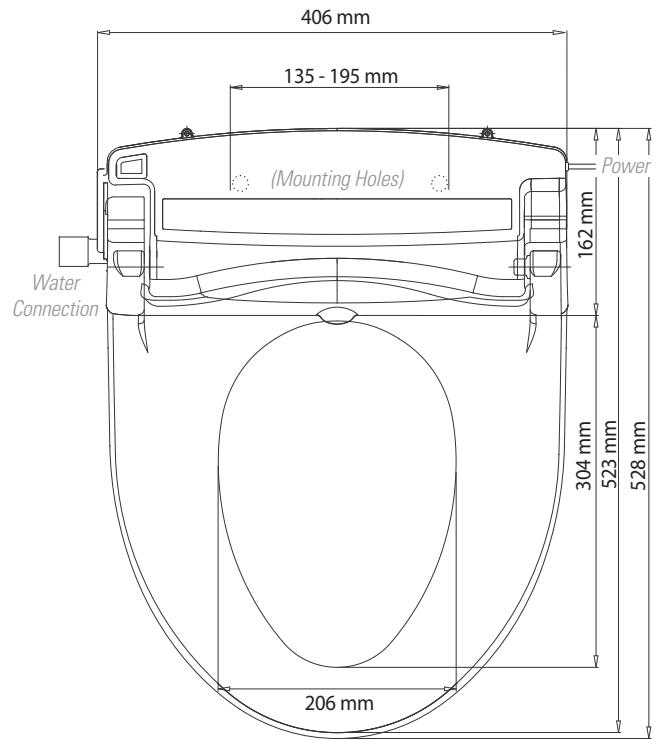
RM-2000R
[Round Seat]

Supplied as standard



RM-2000E
[Elongated Seat]

Available on request



**Uses normal 10 amp Powerpoint