

# Operating instructions

## Heat pump tumble dryer



It is **essential** to read these operating instructions before installing and using the appliance. This prevents both personal injury and damage to the appliance.

# Caring for the environment

---

## Disposal of the packing material

The packaging is designed to protect the appliance from damage during transportation. The packaging materials used are selected from materials which are environmentally friendly for disposal and should be recycled.

Recycling the packaging reduces the use of raw materials in the manufacturing process and also reduces the amount of waste in landfill sites. Ensure that any plastic wrappings, bags etc. are disposed of safely and kept out of the reach of babies and young children. Danger of suffocation.

## Disposing of your old appliance

Electrical and electronic appliances often contain valuable materials. They also contain specific materials, compounds and components, which were essential for their correct function and safety. These could be hazardous to human health and to the environment if disposed of with your domestic waste or if handled incorrectly. Please do not, therefore, dispose of your old appliance with your household waste.



Please dispose of it at your local community waste collection / recycling centre for electrical and electronic appliances. You are also responsible for deleting any personal data that may be stored on the appliance prior to disposal. Please ensure that your old appliance poses no risk to children while being stored prior to disposal.

---

<b>Caring for the environment</b> .....	2
<b>Warning and Safety instructions</b> .....	6
<b>Operating the tumble dryer</b> .....	16
Control panel .....	16
How the control panel works .....	17
<b>Before using for the first time</b> .....	19
<b>Energy saving tips</b> .....	20
<b>1. Notes on correct laundry care</b> .....	21
Points to note regarding washed laundry .....	21
Preparing the laundry before drying .....	21
Garment care label symbols .....	22
Laundry care when drying in a tumble dryer .....	22
<b>2. Loading the tumble dryer</b> .....	23
<b>3. Selecting a programme and starting it</b> .....	24
Programme selection .....	24
Select Gentle tumble (if required) .....	25
Selecting Delay start (if required) .....	26
Starting a programme .....	26
<b>4. Removing the laundry at the end of the programme</b> .....	27
End of programme/Anti-crease .....	27
Removing the laundry .....	27
<b>Delay start</b> .....	28
<b>Programme chart</b> .....	29
<b>Changing the programme sequence</b> .....	33

# Contents

---

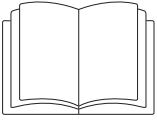
<b>Cleaning and care</b> .....	34
Emptying the condensed water container .....	34
Fluff filters .....	35
Removing visible fluff .....	35
Cleaning the fluff filters and air flow openings thoroughly .....	36
Plinth filter .....	38
Removing the plinth filter .....	38
Cleaning .....	38
Cleaning the plinth filter panel .....	39
Checking the heat exchanger unit .....	39
Replacing the plinth filter .....	40
<b>Fragrance flacon</b> .....	42
Inserting a fragrance flacon .....	42
Replacing the fragrance flacon .....	44
<b>Problem solving guide</b> .....	46
Check indicators and fault messages .....	46
Unsatisfactory drying results .....	48
Other problems .....	49
<b>After sales service</b> .....	51
Contact in case of fault .....	51
Optional accessories .....	51
Warranty .....	51
<b>Installation and connection</b> .....	52
Front view .....	52
Rear view .....	53
Transporting the tumble dryer to its installation site .....	53
Installation .....	54
Levelling the dryer .....	54
Ventilation .....	55
Before moving the tumble dryer again (e.g. when moving house) .....	55
Additional installation requirements .....	56
Externally draining condensed water .....	57
Installation conditions requiring a non-return valve .....	57
Arranging the drain hose .....	58
Examples .....	59
Electrical connection .....	61

---

<b>Consumption data</b> .....	62
.....	000
<b>Programmable functions</b> .....	64
Programming .....	64
<i>P01</i> Cotton drying levels.....	65
<i>P02</i> Minimum iron drying levels.....	66
<i>P04</i> Extended cool down .....	66
<i>P06</i> Keypad tone .....	67
<i>P07</i> PIN Code .....	67
<i>P08</i> Conductivity .....	67
<i>P11</i> Control panel switch-off status .....	68
<i>P12</i> Dryer switch-off status .....	68
<i>P13</i> Memory.....	68
<i>P14</i> Anti-crease .....	69
<i>P23</i> Backlight brightness dimmed .....	69

# Warning and Safety instructions

---



- ▶ It is essential to read these instructions.

This tumble dryer complies with current local and national safety requirements. Inappropriate use can, however, lead to personal injury and damage to property.

To avoid the risk of accidents and damage to the tumble dryer, please read these instructions carefully before using it for the first time. They contain important information on its safety, installation, use and maintenance.

Keep these instructions in a safe place and ensure that new users are familiar with the content. Pass them on to any future owner.

## Correct application

- ▶ This tumble dryer is designed for domestic use and for use in similar environments by guests in hotel or motel rooms, bed & breakfasts and other typical living quarters. This does not include common/shared facilities or commercial facilities within hotels, motels or bed & breakfasts.
  - ▶ This tumble dryer is not suitable for outdoor use.
  - ▶ It must only be used to dry items which have been washed in a water solution and which are marked on the manufacturer's care label as being suitable for tumble drying. If using dry cleaning kits, do so at your own risk, and follow the instructions provided on the packaging.
- Any other applications may be dangerous. Miele cannot be held liable for damage resulting from incorrect or improper use or operation.

## Warning and Safety instructions

---

▶ This appliance is not intended for use by persons (including children) with reduced physical, sensory or mental capabilities, or lack of experience or knowledge, unless they are supervised whilst using it or have been shown how to use it by a person responsible for their safety.

### **Safety with children**

- ▶ Young children must not be allowed to use this appliance.
- ▶ Older children may only use the appliance when its operation has been clearly explained to them and they are able to use it safely, recognising the dangers of misuse.
- ▶ Children must not be allowed to clean or maintain the tumble dryer unsupervised.
- ▶ Please supervise children in the vicinity of the tumble dryer and do not let them play with it.

# Warning and Safety instructions

---

## Technical safety

- ▶ Before setting up the tumble dryer, check it for any externally visible damage.  
Do not install or use a damaged tumble dryer.
- ▶ Before connecting the tumble dryer, ensure that the connection data on the data plate (fuse rating, voltage and frequency) matches the mains electricity supply. If in any doubt, consult a qualified electrician.
- ▶ The electrical safety of this tumble dryer can only be guaranteed when correctly earthed. It is essential that this standard safety requirement is met. If in any doubt, please have the household wiring system tested by a qualified electrician. Miele cannot be held liable for the consequences of an inadequate earthing system (e.g. electric shock).
- ▶ Reliable and safe operation of this tumble dryer can only be assured if it has been connected to the mains electricity supply.
- ▶ Do not connect the tumble dryer to the mains electricity supply by an extension lead. Extension leads do not guarantee the required safety of the appliance (e.g. danger of overheating).
- ▶ If the connection cable is faulty, it must only be replaced by a Miele approved service technician to protect the user from danger.
- ▶ Unauthorised repairs could result in unforeseen dangers for the user, for which Miele cannot accept liability. Repairs should only be undertaken by a Miele authorised service technician, otherwise any subsequent damage will not be covered by the warranty.
- ▶ Faulty components must only be replaced by genuine Miele spare parts. Miele can only guarantee the safety of the appliance when Miele replacement parts are used.



## Warning and Safety instructions

---

- ▶ In the event of a fault or for cleaning purposes, the tumble dryer is only completely isolated from the electricity supply when:
  - it is switched off at the wall socket and the plug is withdrawn, or
  - it is switched off at the mains circuit breaker.
- ▶ This tumble dryer must not be installed and operated in mobile installations (e.g. on a ship).
- ▶ Do not make any alterations to the tumble dryer, unless authorised to do so by Miele.
- ▶ Heat pump technology and refrigerant:

The heat pump in this tumble dryer uses a refrigerant which is condensed by the compressor and led in a closed circuit through the heat exchanger unit where heat exchange with the circulating drying air takes place.

  - The humming noises caused by the heat pump are normal and do not impair the efficient functioning of the dryer.
  - The refrigerant is not flammable or explosive.
  - In general it is not necessary to leave the dryer standing for any length of time before it is connected to the mains provided it has been transported and installed correctly.
- ▶ Please observe the instructions in "Installation and connection" and "Technical data".
- ▶ The accessibility of the plug must be always ensured in order to separate the tumble dryer from the mains.
- ▶ Do not block the gap between the bottom of the tumble dryer and the floor with plinth facings, deep pile carpet etc. This would hinder a sufficient flow of air to the tumble dryer.
- ▶ Make sure the dryer door can be opened without hindrance after installation.

# Warning and Safety instructions

---


## Correct use



READ THE INSTRUCTIONS

 Warning: Risk of fire / Flammable materials.

To avoid the possible danger of fire, please read these warnings carefully.

 A clogged filter is a fire hazard!  
The fluff filter must be cleaned after every programme.

- ▶ The maximum load for this tumble dryer is 7.0 kg (dry weight). See the "Programme chart" for the maximum recommended loads for individual programmes.
- ▶ To prevent the risk of fire, do not connect the tumble dryer via a controllable socket (e.g. a timer or a peak-load switch-off device). If the drying programme is interrupted before the end of the cooling down phase, this could cause the laundry to self-ignite.

## Warning and Safety instructions

---

- ▶ To prevent the risk of fire, the following textiles must not be dried in this tumble dryer:
- Items which have not been washed.
  - Items, such as workwear, which have not been thoroughly cleaned and which are still soiled with grease, oil or other desposits (such as cosmetics, lotions etc). If items have not been thoroughly cleaned, there is a danger that these might ignite when heated, even after they have been removed from the dryer at the end of the programme.
  - Items that have been soiled with substances such as cooking oil, acetone, petrol, kerosene, spot removers, turpentine, waxes, wax removers and other chemicals (e.g. mops and floor cloths).
  - Items which have been splashed with hair lacquer, hair spray, nail varnish remover or similar substances.

When washing such heavily soiled items ensure that you use sufficient detergent and select a high temperature. If in doubt, wash the items several times.

- ▶ Oil-affected items can ignite spontaneously, especially when exposed to heat sources such as in a tumble dryer. The items become warm, causing an oxidation reaction in the oil. Oxidation creates heat. If the heat cannot escape, the items can become hot enough to catch fire. Piling, stacking or storing oil-affected items can prevent heat from escaping and so create a fire hazard. If it is unavoidable that fabrics contaminated with vegetable or cooking oil, or hair care products, be placed in a tumble dryer, they should first be washed in hot water with extra detergent - this will reduce, but not eliminate, the hazard.
- ▶ Remove all items from pockets (e.g. lighters, matches).

## Warning and Safety instructions

---

- ▶ **Warning:** Ensure that you always wait until the end of the programme before removing the laundry. If the drying programme is stopped prematurely, remove the laundry immediately and hang it up or spread it out to cool it down.
- ▶ Fabric softener and similar products must be used according to the instructions on the manufacturer's packaging.
- ▶ To prevent the risk of fire, the following textiles must not be dried in this tumble dryer:
  - Items which have been cleaned using chemicals (e.g. professional dry-cleaning agents).
  - Fabrics which contain a large proportion of rubber, foam rubber or rubber-like materials. For example, products made from latex foam rubber, shower caps, waterproof textiles, rubberised articles and items of clothing and pillows with foam rubber filling.
  - Damaged fabrics which contain padding or fillings (e.g. pillows, jackets). When damaged, the filling can get out with the risk of it igniting in the dryer.
- ▶ In many programmes, the heating phase is followed by a cooling down phase to ensure that the items are not too hot to handle when you remove them (this also avoids the danger of the laundry self-igniting). The programme is not finished until the cooling down phase has been completed.

As soon as the programme has finished, remove all laundry from the drum.
- ▶ Do not let anyone sit or lean on the door, as this can cause the tumble dryer to tip up.
- ▶ Always close the door after use. This way you will avoid the danger of:
  - children climbing onto or into the dryer or hiding things in it.
  - pets or other small animals climbing into it.

## Warning and Safety instructions

---

- ▶ The tumble dryer must not be used without or
  - with damaged fluff filters.
  - with a damaged plinth filter.

This would cause an excessive build-up of fluff which in turn would cause a fault.

- ▶ The fluff filters must be cleaned after every drying cycle. Fluff must not be allowed to accumulate around the tumble dryer.
- ▶ The fluff filters and the plinth filter must be thoroughly dried after cleaning. Do not replace them if they are damp or wet. Damp or wet filters could cause operational faults.
- ▶ Do not install the tumble dryer in a room where there is a risk of frost occurring. At temperatures around freezing point the tumble dryer may not be able to operate properly. There is a risk of damage if the condensed water is allowed to freeze in the pump and hoses.
- ▶ If the water is drained externally through the drain hose instead of being collected in the condensed water container, make sure the drain hose is securely attached if you hang it in a sink or basin to avoid the hose slipping and the water causing damage.
- ▶ Condensed water is not drinking water. It can cause health problems in both people and animals.
- ▶ Always keep the area around the tumble dryer free of dust and fluff. Dust drawn into the tumble dryer can cause blockages in the heat exchanger over time.
- ▶ The tumble dryer must not be hosed down.

## Warning and Safety instructions


---

### Using a fragrance flacon (optional accessory)

- ▶ Only use genuine Miele original fragrance flacons.
- ▶ The fragrance flacon must be stored in its packaging so please make sure you retain this.
- ▶ Caution. The fragrance can run out of the flacon. Make sure that you always keep the flacon, or the fluff filter with the flacon inserted in it, in a horizontal position when carrying and do not tip or place down on any surface.
- ▶ Use an absorbent cloth immediately to wipe up any fragrance which has run out of the flacon onto the floor, the dryer or any dryer components (e.g. the fluff filter).
- ▶ If fragrance which has run out of a flacon should come in contact with the **skin** - wash the skin thoroughly with soap and water; come in contact with the **eyes** - rinse the eyes with clean water for at least 15 minutes; be swallowed - rinse out the **mouth** thoroughly with clean water. Seek medical advice in the case of contact with the eyes or if fragrance has been swallowed.
- ▶ If fragrance which has run out of a flacon comes in contact with clothing, change the clothing immediately. Wash the clothing or any cloths used for mopping up fragrance thoroughly with plenty of water and detergent.
- ▶ There is the risk of fire or damage to the tumble dryer if the following instructions are not observed:
  - Never refill a flacon with fragrance.
  - Never use a faulty fragrance flacon.
- ▶ Dispose of an empty fragrance flacon with the household waste and never use it for any other purpose.
- ▶ Please also observe the information supplied with the fragrance flacon.

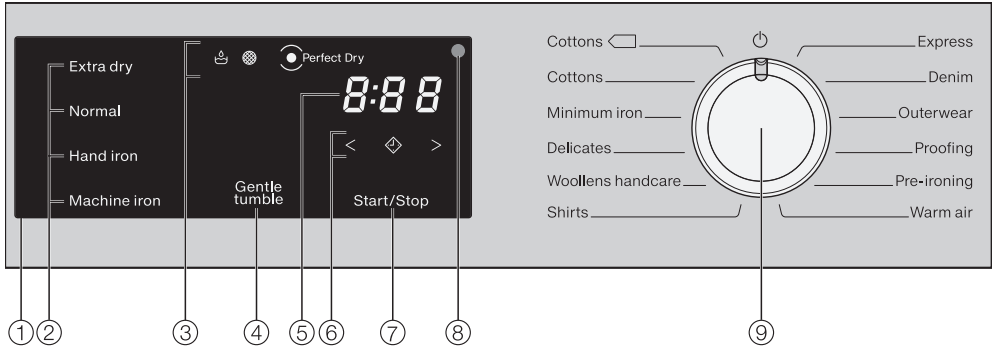
## Accessories

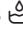





- ▶ Only use genuine Miele spare parts and accessories with this appliance. If spare parts or accessories from other manufacturers are used, this will invalidate the warranty, and Miele cannot accept liability.
- ▶ A Miele tumble dryer can be stacked on top of a Miele washing machine using the appropriate stacking kit (available as an optional accessory). Please make sure you order the correct one for the Miele washing machine and Miele tumble dryer.

 Miele cannot be held liable for damage caused by non-compliance with these Warning and Safety instructions.

# Operating the tumble dryer

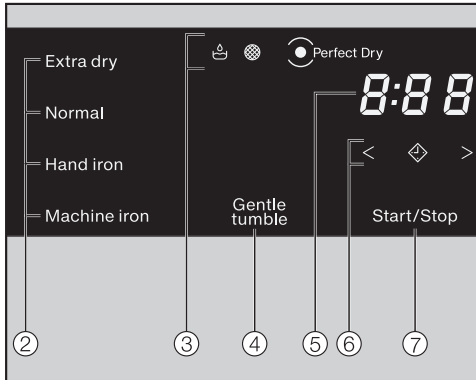
## Control panel



- ① **Control panel**
- ② **Sensors for the drying levels**
- ③ **Indicator lights**     
light up when necessary
- ④ **Gentle tumble sensor**  
for gentle drying
- ⑤ **Time display**  
for the programme duration
- ⑥ **Sensors** <   >  
for the time selection
- ⑦ **Start/Stop sensor**  
for programme start/cancellation
- ⑧ **Optical interface**  
for service technicians
- ⑨ **Programme selector**  
for selecting programmes and for switching off. The dryer is switched on when you select a programme, and switched off by turning the programme selector to the  position.



## How the control panel works



The ②, ④, ⑥, and ⑦ sensors react to fingertip contact. Selection is possible as long as the respective sensor is illuminated.

If a sensor is brightly lit, this means: currently selected

If a sensor is dimly lit, this means: selection possible

### ② Sensors for the drying levels

After selecting a drying level programme with the programme selector, the proposed drying level lights up.

Drying levels that can be selected are dimly lit.

### ③ Indicator lights

- lights up when the condensed water container needs to be emptied.
- lights up when the plinth filter needs to be cleaned.
- **Perfect Dry**  
The Perfect Dry system measures the residual moisture present in the laundry in programmes with selectable drying levels and provides a more precise drying result. After starting the programme, this message . . .
  - . . . will flash until the programme duration has been determined, and then go out.
  - . . . will light up when the selected drying level is reached near the end of the programme.
  - . . . will remain dark with the following programmes: *Woolens handcare*, *Warm air*.

### ④ Gentle tumble sensor

For drying temperature-sensitive textiles with the symbol. When the sensor is touched, *Gentle tumble* will light up brightly.

With some programmes, *Gentle tumble* is always active (lights up) or inactive (does not light up).

# Operating the tumble dryer

---

## ⑤ Time display

The remaining programme duration will be displayed in hours and minutes.

With most programmes, the duration displayed may vary or "jump". The following factors, among others, affect the programme duration displayed: the quantity of the laundry, the type of fabric and the residual moisture in the laundry. The electronics will continually assess the conditions and adjust the programme duration with increasing accuracy.

## ⑥ Sensors < ◊ >

– ◊

After touching the ◊ sensor, a later start time for the programme (Delay start) can be selected. Once selected, ◊ lights up brightly.

– < >


The < or > sensors are used for selecting the duration of the delay start period or the duration of the *Warm air* programme.

## ⑦ Start/Stop sensor


Touching the *Start/Stop* sensor starts the selected programme or cancels a programme that has already been started. The sensor flashes slowly as soon as it is possible for a programme to be started and then lights up constantly after the programme has started.

## Removing the protective foil and stickers

- Please remove
  - the protective foil from the door.
  - any stickers from the front and the lid (Exception: warning labels must not be removed).

 Please do not remove any labels (e.g. the data plate) which are visible when you open the door.

## After installing the tumble dryer

 Before using the tumble dryer for the first time, ensure that it is installed and connected to the electricity supply correctly. If it has not been transported as described in "Installation and connection", then it must be left to stand for at least 1 hour before it is connected to the electricity supply.

## Following the procedure for using for the first time outlined in these instructions

- Read "1. Notes on correct laundry care" and "2. Loading the tumble dryer".
- You can then load the tumble dryer and select a programme as described in "3. Selecting a programme and starting it".

## Energy saving tips

---

To avoid unnecessarily long drying times and high consumption of energy:

- Make sure your laundry is spun at the maximum spin speed before drying. The higher the spin speed, the greater the savings that can be made in energy and time during drying, e.g. approx. 20% energy can be saved if spun at 1600 rpm instead of 1000 rpm.
- Load according to the optimum amount of laundry recommended for the programme being used. This will mean that the energy consumption for the amount of laundry is at its most economical.
- Make sure that the room temperature is not too high. If there are other heat producing appliances in the room in which the dryer is located, make sure the room is well ventilated and switch the other appliances off, if possible.
- Clean the fluff filters in the door opening after every drying cycle.

Please refer to "Cleaning and care" for information on cleaning the fluff filters and the plinth filter.


- If possible, make use of time-variable, low-cost electricity tariffs. Ask your energy supplier for information. Your tumble dryer's Delay start function will be useful as you can select when during the next 24 hours you want drying to start automatically.


# 1. Notes on correct laundry care

## Points to note regarding washed laundry

- When washing very heavily soiled items, ensure that you use sufficient detergent and select a high temperature. If in doubt, wash the items several times.
- Do not put soaking wet items into the tumble dryer. Make sure your laundry is thoroughly spun before drying. The higher the spin speed, the greater the savings that can be made in energy and time during drying.
- New dark coloured garments should be washed and dried separately from light coloured garments to avoid the risk of colours running and discolouring other garments or even plastic components in the dryer. Dark coloured fibres can also settle on light coloured garments and vice versa.
- Starched laundry can be dried in the tumble dryer. To achieve the usual finish, double the amount of starch should be used.

## Preparing the laundry before drying

 Make sure that any objects, e.g. detergent dosing balls, lighters etc. have been removed from the laundry. They could melt or explode and cause damage to the tumble dryer or the laundry.








 See "Warning and Safety" instructions for further information. Loading or using the tumble dryer incorrectly could cause a fire.

- Sort the laundry according to the type of fibre and weave, size, garment care label symbol and the drying level required.
- Check the seams of padded or down-filled items to prevent the risk of fillings coming out. These could catch fire when being dried.
- Disentangle the laundry.
- Tie together textile belts and apron ties.
- Fasten . . .  
. . . duvet covers and pillow cases to prevent small items from being trapped inside them.  
. . . hooks and eyes.
- Sew in or remove underwiring from bras.
- Leave jackets open and undo any long zips so that textiles dry evenly.
- Minimum iron fabrics tend to crease more, the greater the load. This is also the case for garments made from very fine weave fabric, such as shirts or blouses. If necessary, reduce the size of the load for these types of fabric.

# 1. Notes on correct laundry care

---

## Garment care label symbols

Drying	
	Normal/higher temperature
	Reduced temperature: select <i>Gentle tumble</i> (for delicate fabrics)
	Do not tumble dry
Ironing	
	Very hot
	Hot
	Warm
	Do not iron


- Woollens and wool blends are susceptible to becoming matted or shrinking. Only use the *Woollens handcare* programme for these textiles.
- Loopknit garments (e.g. T-Shirts, underwear) have a tendency to shrink after the first wash. Do not overdry these fabrics to prevent further shrinking. When buying loopknit garments, it is advisable to take their shrinkage potential into account.
- With fabrics that are particularly heat-sensitive or susceptible to creasing, reduce the drying load and select *Gentle tumble*.

## Laundry care when drying in a tumble dryer

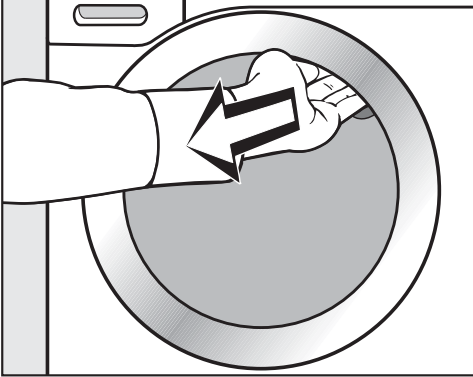
See the "Programme chart".  
It lists all programmes and their maximum load.

- Always observe the maximum recommended load for each programme. The energy consumption for the amount of laundry will then be the most economical.
- When prompted, select a drying level, e.g. . . .
  - . . . *Normal*: If you want to fold and store the laundry after drying.
  - . . . *Machine iron*: If you want to machine iron the laundry after drying.
- Pure linen should only be tumble dried if it is specified as suitable on the care label. The surface of the fabric may otherwise become rough.

## 2. Loading the tumble dryer

 It is essential to read "1. Notes on correct laundry care" first.

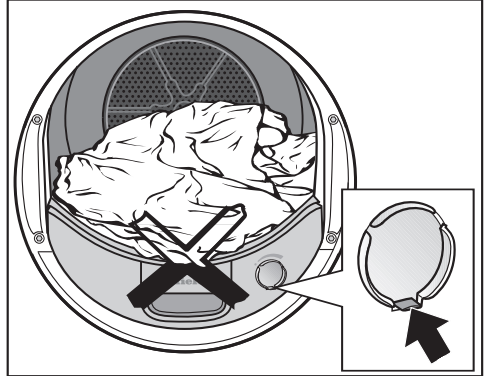
### Opening the door



- Reach under the door grip and pull the door open.
- Unfold the laundry and load loosely into the drum.

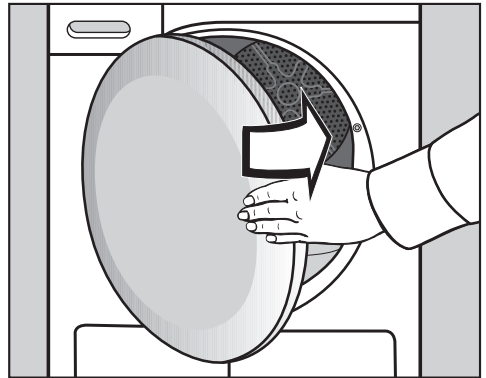
Do not overload the drum. Overloading can cause unnecessary wear and tear to the laundry, give a disappointing drying result and cause more creasing.

When closing the door, make sure that laundry does not get trapped in the door opening. This could damage the laundry.



If you are not using a fragrance flacon: the tab must be pushed down completely (see arrow).


### Closing the door

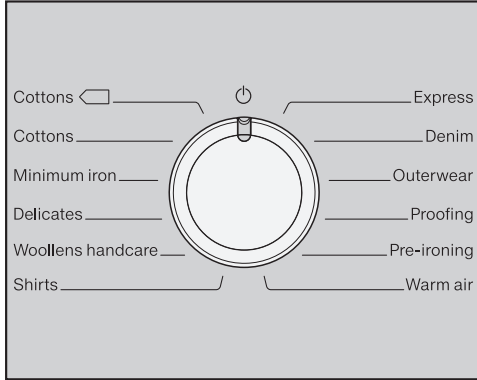


- Shut the door with a gentle swing.

### 3. Selecting a programme and starting it

#### Programme selection

The dryer is switched on by selecting a programme, and switched off by turning the programme selector to the  position.



- Turn the programme selector.

A drying level may light up and durations will appear in the time display.

#### Programmes with drying levels

- ***Cottons, Minimum iron, Delicates, Express, Shirts, Denim, Outerwear, Pre-ironing***

The drying level can be altered after selecting one of these programmes.

Extra dry

**Normal**

Hand iron

Machine iron

- Touch the sensor for the drying level you want. It then lights up brightly.

Any drying level can be selected for the *Cottons* and *Express* programmes. A limited range is available with the other programmes.



### 3. Selecting a programme and starting it

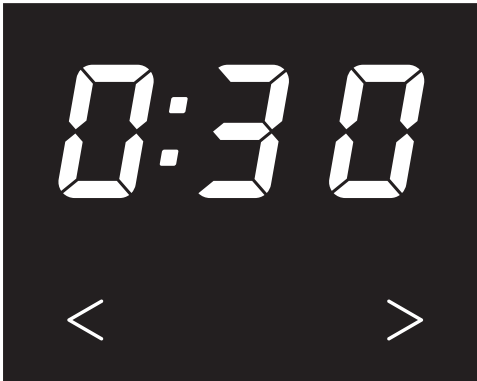
#### Other programmes and timed drying programmes

- **Cottons** , **Woollens handcare, Proofing**

The drying level/duration is preset by the dryer automatically and cannot be altered.


- **Warm air**

You can set the duration in ten-minute increments from 0:20 minutes to 2:00 hours.



- Touch the > or < sensor repeatedly until the required programme duration appears in the time display.

#### Select Gentle tumble (if required)

Delicate fabric (with the  symbol on the care label, e.g. acrylic garments) is dried at a lower temperature. The programme duration is longer.

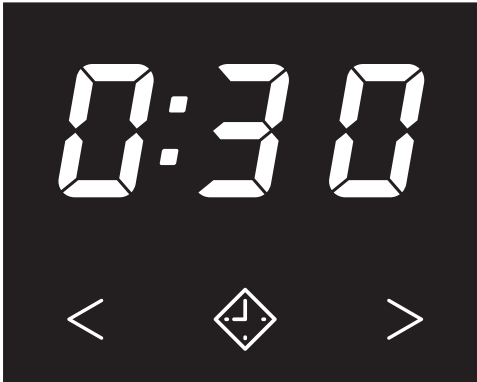
- Touch the *Gentle tumble* sensor. It then lights up brightly.
- *Gentle tumble* can be selected with the following programmes:
  - *Cottons*
  - *Minimum iron*
  - *Shirts*
  - *Denim*
  - *Warm air*
- *Gentle tumble* is always activated/ cannot be deselected with *Delicates*, *Pre-ironing*, *Outerwear*.



### 3. Selecting a programme and starting it

#### Selecting Delay start (if required)

With Delay start you can delay the start of a programme from 0:30 (minutes) up to 24h (hours).

**However:** Delay start cannot be used with the *Warm air* programme. Please see "Delay start" for more information.



- Touch the  sensor.
-  lights up brightly.
- Touch the > or < sensor repeatedly until the required delayed start time appears in the time display.

#### Starting a programme

- Touch the flashing *Start/Stop* sensor. *Start/Stop* lights up.

#### Notes

- The *Perfect Dry* indicator will only flash/light up with programmes with selectable drying levels (see also "Operating the tumble dryer").
- The dryer measures the residual moisture of the laundry and calculates the required programme duration. If a small load or dry laundry is placed in the dryer, it is dried/aired for a preset duration. In this case the *Perfect Dry* indicator does not light up at the end of the programme.

Avoid over-drying laundry and garments. Otherwise they can wear out.

#### Energy saving:

After 10 minutes, the indicators dim and the *Start/Stop* sensor starts flashing.

- Touch the *Start/Stop* sensor to switch the indicators on again (this does not have any effect on a running programme).

## 4. Removing the laundry at the end of the programme

### End of programme/Anti-crease

Programme end: 0:00 lights up and the Start/Stop sensor goes out.


After the programme has finished, the drum continues to rotate for a max. of 2 hours at intervals to reduce creasing. There is no Anti-crease with *Woolens handcare*.

See "Programmable functions - P14 Anti-crease".

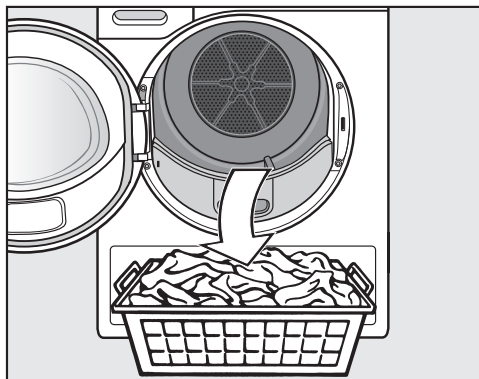
### Energy saving

- 10 minutes after the end of the programme, the Start/Stop sensor will begin to flash and the display will go out.
- The dryer will switch off automatically 15 minutes after the end of the Anti-crease phase (with programmes without an Anti-crease phase it will switch off 15 minutes after the end of the programme).

### Removing the laundry


 **Never** open the door before the drying process has finished.

- Reach under the door grip and pull the door open.



- Remove the laundry.

Check that all items have been removed from the drum. If items are left in the dryer, they could be damaged by overdrying when the dryer is used the next time.

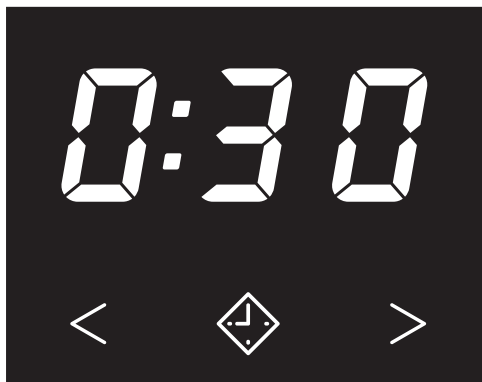
- Turn the programme selector to .
- Remove the fluff from the 2 fluff filters in the door opening (see "Cleaning and care - Fluff filters").
- Shut the door with a gentle swing.
- Empty the condensed water container.








### Drum lighting

The lighting helps to ensure that all items are removed from the drum. The drum lighting will go out automatically to save energy.


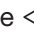

## Delay start

### Selecting




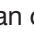
- Touch the  sensor.
-  lights up brightly.
- Touch the  or  sensor repeatedly until the required delayed start time appears in the time display.
- The selection is made in 30-minute increments from 0:30 (minutes) to 10h (hours), and after that in one hour increments up to 24h.
- If you keep the  or  sensors pressed, the time will continue to increase/decrease.
- If you touch the  sensor again, the selected time is deleted.

### Starting

- Touch the *Start/Stop* sensor.
- *Start/Stop* and  light up.
- The   sensors go out.
- Delay start times of more than 10h will count down in hours and then in minutes until the start of the programme.

- The drum will turn briefly every hour until the start of the programme to reduce laundry creasing.


### Changing

- Touch the *Start/Stop* sensor.
- You can change the time with the   sensors.
- Touch the *Start/Stop* sensor so that the delay start period continues.

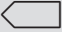
### Adding or removing laundry

- You can open the door to add/remove laundry.
- All programme settings will be saved.
- You can change the drying level, if required.
- Close the door.
- Touch the *Start/Stop* sensor so that the delay start period continues.

### Cancelling a programme


- To cancel, turn the programme selector to .

## Programme chart

<b>Cottons</b> 		<b>Max. load 7.0 kg*</b>
Items	Cotton items such as those described under <i>Cottons Normal</i> with normal residual moisture.	
Note	Items are dried to a <i>Normal</i> level only.	
<b>Cottons</b>		<b>Max. load 7.0 kg*</b>
<b>Extra dry, Normal</b>		
Items	Single and multi-layered cotton fabric such as towelling, jerseywear, T-shirts, underwear, workwear, covers, flannelette bed linen and baby clothes.	
Notes	<ul style="list-style-type: none"> <li>– Select <i>Extra dry</i> for multi-layered and very thick fabrics.</li> <li>– Do not use <i>Extra dry</i> for jersey fabrics (e.g. T-shirts, underwear), as they have a tendency to shrink.</li> </ul>	
<b>Hand iron, Machine iron</b>		
Items	Cotton or linen fabric requiring further processing, e.g.: table linen, bed linen, starched laundry.	
Note	To prevent laundry from drying out it should be rolled up until you are ready for ironing.	
<b>Minimum iron</b>		<b>Max. load 4.0 kg*</b>
<b>Normal, Hand iron</b>		
Items	Minimum iron items made of cotton, synthetic or mixed fibre, e.g.: tops, dresses, shirts, blouses, skirts, trousers and table linen.	

\* Weight of dry laundry

# Programme chart

<b>Delicates</b>		<b>Max. load 2.5 kg*</b>
<b>Normal, Hand iron</b>		
Items	Delicate items with the  symbol on the care label made of synthetic fibres, easy care cotton or blended fabric, e.g. shirts, blouses, lingerie and evening wear with sequins and beading.	
Note	Reducing the load will reduce creasing.	
<b>Woollens handcare</b>		<b>Max. load 2.0 kg*</b>
Items	Woollen garments and fabric containing wool blends, e.g. pullovers, jackets.	
Notes	<ul style="list-style-type: none"> <li>– Wool and wool blend items are only fluffed up; they are not dried completely.</li> <li>– Remove garments as soon as the programme has finished.</li> </ul>	
<b>Shirts</b>		<b>Max. load 2.0 kg*</b>
<b>Normal, Hand iron</b>		
Items	Shirts and blouses	
<b>Express</b>		<b>Max. load 4.0 kg*</b>
<b>Extra dry, Normal, Hand iron, Machine iron</b>		
Items	Garments suitable for the Cottons programme.	
Note	The programme duration is shorter.	

\* Weight of dry laundry

## Programme chart

<b>Denim</b>		<b>Max. load 3.0 kg*</b>
<b>Normal, Hand iron</b>		
Items	Denim garments, e.g. jeans, jackets, skirts, shirts.	
<b>Outerwear</b>		<b>Max. load 2.5 kg*</b>
<b>Normal, Hand iron<sup>Δ</sup></b>		
Items	Outerwear which is suitable for drying in a tumble dryer.	
<b>Proofing</b>		<b>Max. load 2.5 kg*</b>
<b>Normal</b>		
Items	Drying microfibre fabric, skiwear, outerwear, fine, closeweave cotton garments (poplin) or tablecloths which are suitable for drying in a tumble dryer and have been treated to provide a water and dirt-resistant finish.	
Notes	<ul style="list-style-type: none"> <li>– This programme includes a proofing fixing phase.</li> <li>– Only use proofing agents which are stated by the manufacturer as being "suitable for use on membrane textiles" as these contain fluorochemical compounds.</li> <li>– Do not dry items which have been treated with proofing agents containing paraffin. Fire hazard!</li> </ul>	

\* Weight of dry laundry

# Programme chart

<b>Pre-ironing</b>		<b>Max. load 1.0 kg*</b>
<b>Normal, Hand iron</b>		
Items	<ul style="list-style-type: none"> <li>– Cotton and linen fabric</li> <li>– Minimum iron items made of cotton, synthetic or mixed fibre, e.g. trousers, jackets, shirts.</li> </ul>	
Notes	<ul style="list-style-type: none"> <li>– This programme smooths out creasing caused during the spin cycle in the washing machine.</li> <li>– Also suitable for dry fabrics.</li> <li>– Remove garments as soon as the programme has finished.</li> </ul>	
<b>Warm air</b>		<b>Max. load 7.0 kg*</b>
Items	<ul style="list-style-type: none"> <li>– For further drying of multi-layered fabrics whose layers have different drying characteristics, e.g. jackets, pillows, sleeping bags and other voluminous items.</li> <li>– For drying individual items, e.g. bath towels, bathing costumes, tea towels and small loads.</li> </ul>	
Note	Do not select the longest drying time to start with. Check the items as you are drying them to find the optimum time.	
Note	Use <i>Warm air</i> to eliminate or reduce odours in clean cotton garments (duration 1/2 - 1 hour). The freshening up effect is increased when the laundry is dampened before drying or when a fragrance flacon (available as optional accessory) is used. The Warm air programme will not be as effective at removing odours from garments that are made of synthetic fibres.	

\* Weight of dry laundry



# Changing the programme sequence

You cannot change to another programme once a programme has started (this prevents unintentional alterations).

If you try to change a programme, -| lights up until the original programme is reset.

Exception: You can switch the dryer off by turning the programme selector to the | position.

You will need to cancel the current programme before you can select a new one.

Bear in mind that hot steam may escape when the door is opened.

## labelling="Section-Header">Cancelling a programme while it is running and selecting a new programme

- Touch the *Start/Stop* sensor.

The items will be cooled down, depending on the temperature reached and how long they have been dried for. 0:00 will light up if you press the *Start/Stop* sensor again during the cooling down phase.

- To cancel, turn the programme selector to |.
- Select and start a new programme straight away.

## labelling="Section-Header">Adding or removing laundry

- Touch the *Start/Stop* sensor.

The items will be cooled down, depending on the temperature reached and how long they have been dried for. 0:00 will light up if you press the *Start/Stop* sensor again during the cooling down phase.



**Danger of burning!**

Do not touch the back of the drum when adding or removing items. The drum and the items can be very hot.

- Add or remove items.
- Close the door.

To continue with the programme:

(select a drying level first, if necessary)

- Touch the *Start/Stop* sensor.

## labelling="Section-Header">Programme duration


Altering the programme sequence can cause the programme duration shown in the time display to be adjusted.


## Cleaning and care


### Emptying the condensed water container

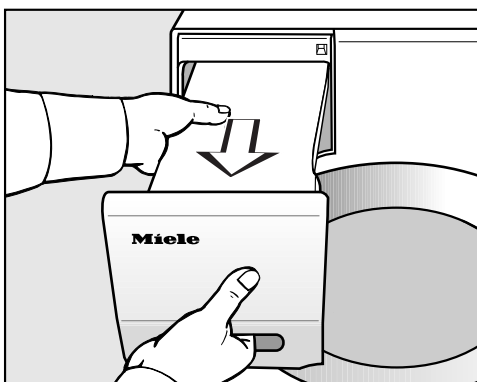
The condensed water is collected in the condensed water container.

Empty the condensed water container after every drying programme.

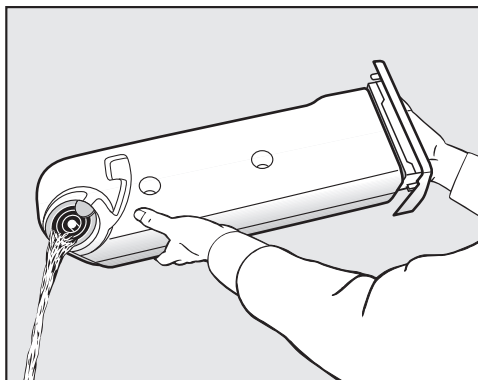
The  indicator will light up when the maximum level in the condensed water container is reached.

To turn the  indicator light off: Open and close the door while the dryer is switched on.


 To prevent damaging the door and the front of the condensed water container when pulling the container out of the dryer: always close the door completely.



- Pull out the condensed water container.
- Hold it at the front and towards the back and keep it in a horizontal position when carrying it.



- Empty the container.
- Replace the container in the dryer.

 Condensed water should not be consumed. It could lead to health problems for people and animals.

Condensed water can be put to household use (e.g. used in a steam iron or humidifier). To ensure that any residual particles of fluff in the condensed water are removed before use, pass it through a fine sieve or paper filter first.

## Fluff filters

This tumble dryer has 2 fluff filters in the door opening: the upper and lower fluff filters trap fluff produced during the drying process.

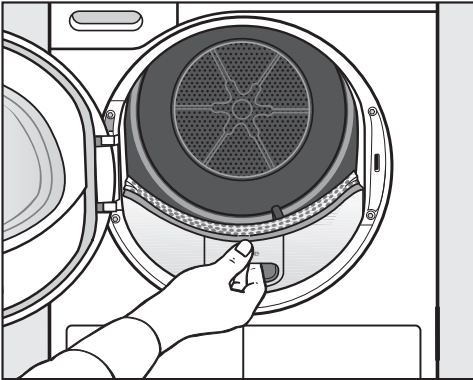
### Removing visible fluff

Remove any fluff after every drying cycle.

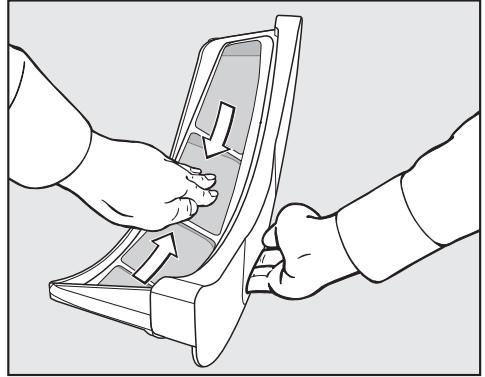
**Useful tip:** You can also use a vacuum cleaner so that you can remove the fluff without touching it.

- Open the door.

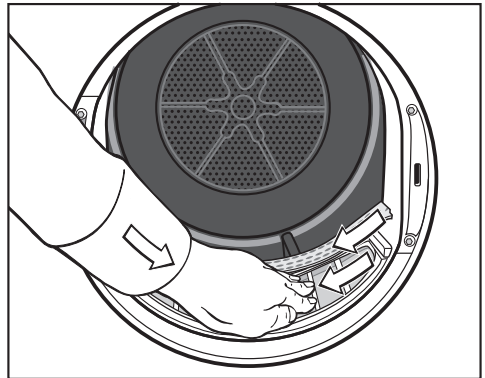
**!** You must remove the fragrance flacon (if present) beforehand (see "Fragrance flacon").



- Pull the upper fluff filter forwards to remove it.



- Remove the fluff (see arrows) . . .



- . . . from the surfaces of all the fluff filters.
- . . . from the perforated laundry deflector.
- Push the upper fluff filter back into position until it clicks.
- Close the door.

If there is a great deal of compacted fluff, carry out the following procedure.

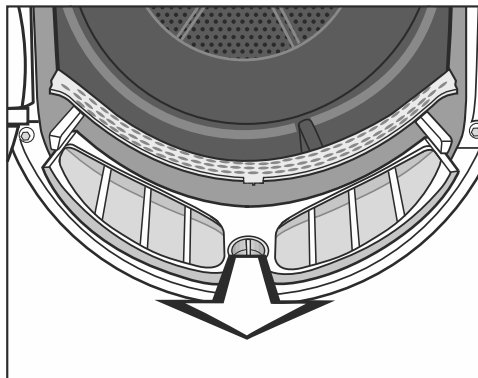
## Cleaning and care

### Cleaning the fluff filters and air flow openings thoroughly

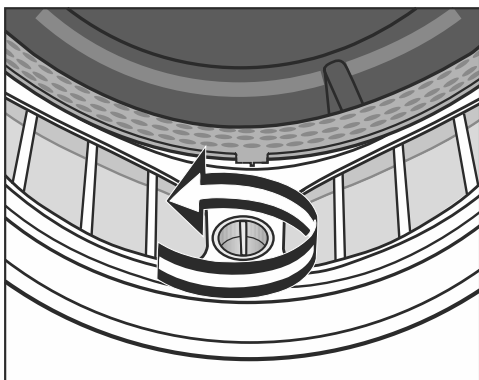
If the drying duration has become longer or the surface of the filters is visibly compacted with fluff, you should carry out the following cleaning procedure.

⚠ If using a fragrance flacon, make sure you remove it beforehand.

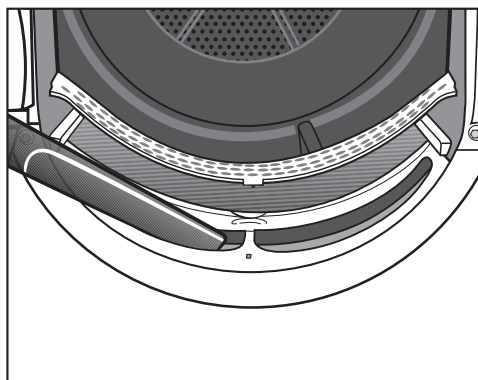
- Pull the upper fluff filter forwards to remove it.



- Hold the dial and pull the fluff filter forwards to remove it.




- Turn the yellow dial on the lower fluff filter in the direction of the arrow (until you hear it click).



- Use a vacuum cleaner with a long crevice nozzle attached to remove any visible fluff from the upper air flow openings.

## Cleaning the fluff filters with water


- Flush the fluff filters through with warm running water.
- Shake the fluff filters thoroughly and then dry them carefully.


 Ensure the filters are dry before replacing them. Wet filters could cause operational faults.

- Push the lower fluff filter in completely and lock it with the yellow dial.
- Push the upper fluff filter in completely.
- Close the door.

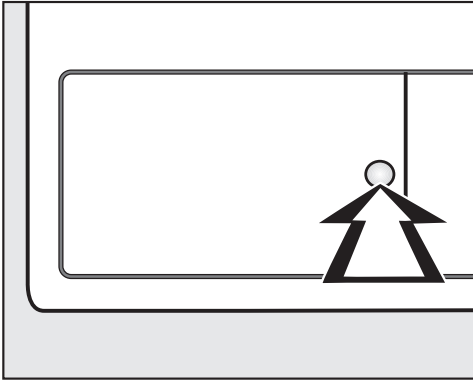
# Cleaning and care

## Plinth filter

Clean the plinth filter when  lights up or when the programme duration has been extended.

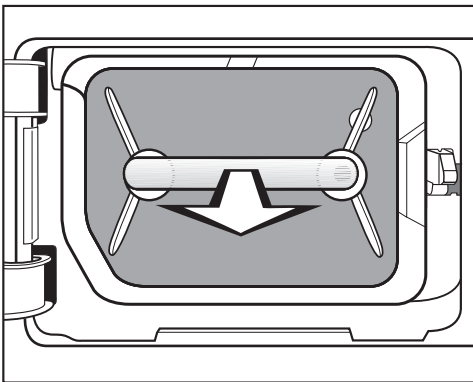
To turn the  indicator light off: Open and close the door while the dryer is switched on.

### Removing the plinth filter



- Press the round, indented area on the heat exchanger access panel to open it.

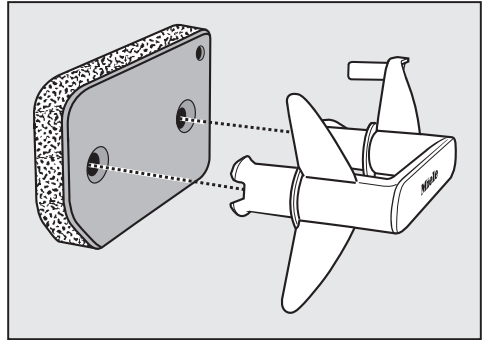
The panel will spring open.




- Pull the plinth filter out by the handle.

Removing the plinth filter will cause the right-hand guide pin in the dryer to come out. This pin ensures that the heat exchanger access panel can only be closed if the plinth filter is inserted the right way round.

### Cleaning

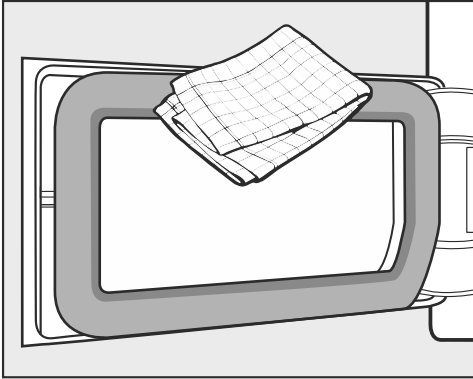


- Pull the handle out of the plinth filter.
- You can brush off a heavy build-up of fluff on the plinth filter or remove it with a vacuum cleaner.
- Clean the filter thoroughly under running water.
- Squeeze the water out of the plinth filter thoroughly.

 The plinth filter must not be replaced dripping wet. This can cause a fault.

- Use a damp cloth to remove any fluff from the handle.

## Cleaning the plinth filter panel



- Use a damp cloth to remove any fluff. Make sure that you do not damage the rubber seal when doing this.
- Check whether the cooling fins are blocked with fluff (as follows).

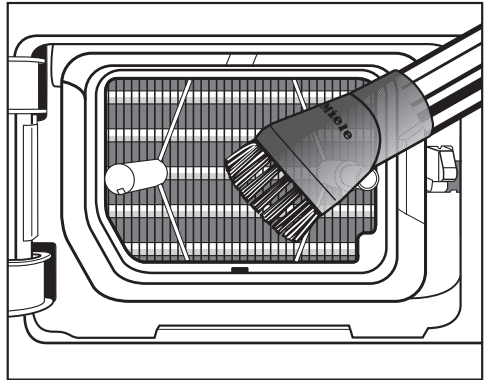
## Checking the heat exchanger unit

⚠ Danger of injury! Do not touch the cooling fins. You could cut yourself.

- Look to see if fluff has accumulated.

If there is visible soiling:

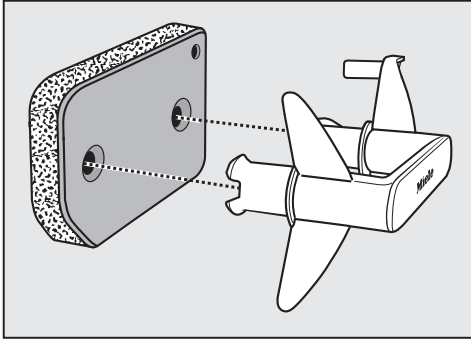
⚠ Clean using a vacuum cleaner with a dusting brush attached. Carefully pass the vacuum cleaner brush over the heat exchanger cooling fins without applying any pressure. Otherwise the cooling fins could be bent out of shape or become damaged.



- Carefully vacuum up any visible fluff or dirt.

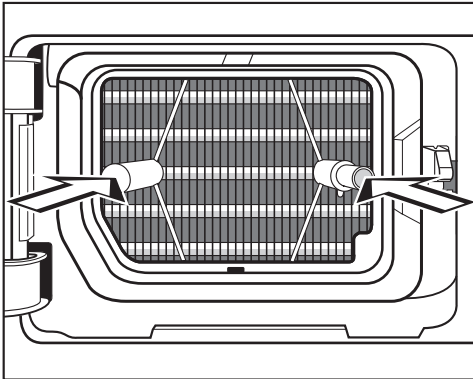
# Cleaning and care

## Replacing the plinth filter



- Fit the filter back on the handle. Make sure it is the correct way round.

To ensure that the filter is positioned correctly in the front of the heat exchanger unit:




- First insert the handle with the plinth filter attached over the two guide pins.
  - The word Miele on the handle must be the correct way up.

- Push the plinth filter in completely.

The act of pushing in the plinth filter will also push in the right-hand guide pin.

- Close the heat exchanger access panel.

 The dryer can only be operated with the plinth filter fitted correctly and the heat exchanger access panel closed. The access panel must be closed correctly to ensure that water cannot leak from the condenser system and to ensure that the dryer functions efficiently.

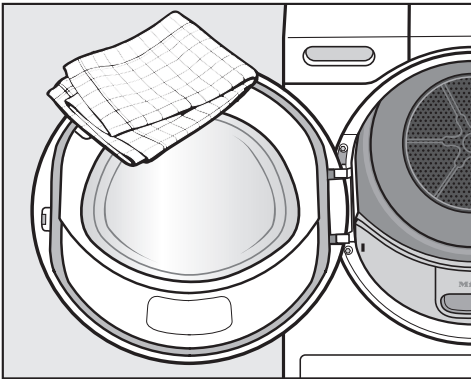


## Tumble dryer

⚠ Disconnect the machine from the mains electricity supply.

⚠ Do not use solvents, abrasive cleaners, glass cleaners or all-purpose cleaners.  
These could damage plastic surfaces and other parts.

- Clean the tumble dryer with a slightly damp cloth and a mild non-abrasive cleaning agent or a solution of washing-up liquid and water.



- Clean the seal around the inside of the door with a damp cloth.
- Dry all parts with a soft cloth.
- The drum and other stainless steel parts can be cleaned with a suitable proprietary stainless steel cleaner following the manufacturer's instructions. This, however, is not absolutely necessary.

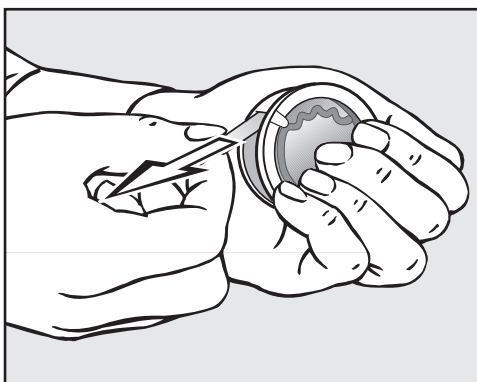
## Fragrance flacon

Using a fragrance flacon (optional accessory) will add a pleasant fragrance to your laundry.

**!** Before using a fragrance flacon, please read "Warning and safety instructions - Using a fragrance flacon (optional accessory)".

### Inserting a fragrance flacon

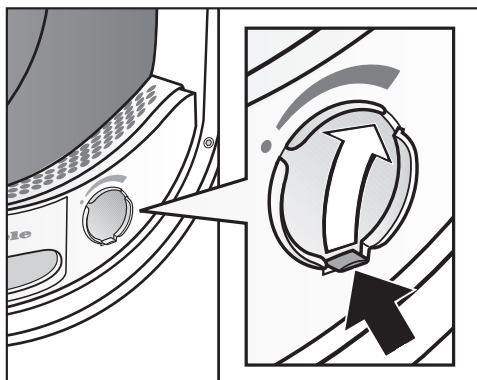
Only hold the fragrance flacon as illustrated. Do not hold it at an angle or tip it as the fragrance will run out of the flacon.



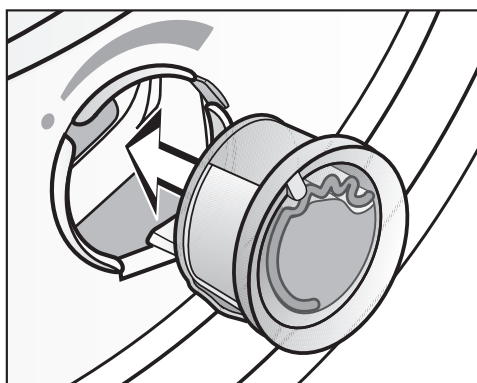
- Hold the flacon securely to prevent opening it by mistake.
- Pull off the protective seal.
- Open the door of the tumble dryer.

The fragrance flacon is inserted in the upper fluff filter in the opening on the right-hand side beside the grip.

If you are not using a fragrance flacon: the cover must always remain closed (push the cover down completely with the tab).

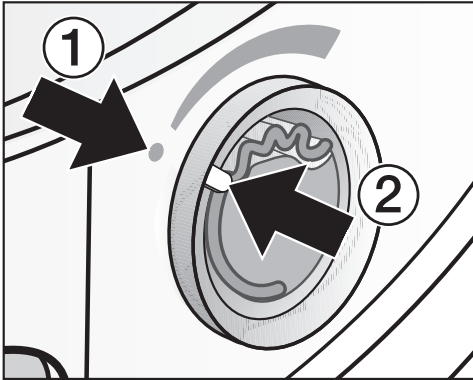


- Open the cover using the tab until the tab is at the top right-hand side as shown.

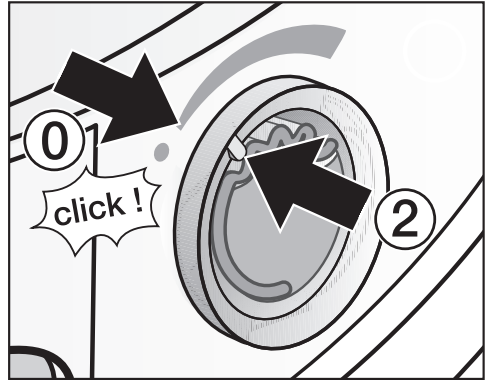


- Insert the flacon in the opening as far as it will go.

# Fragrance flacon

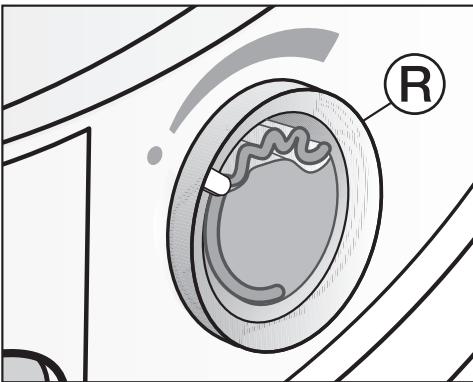


Markers ① and ② must line up with one another.



– You will feel a slight resistance and hear a soft click.

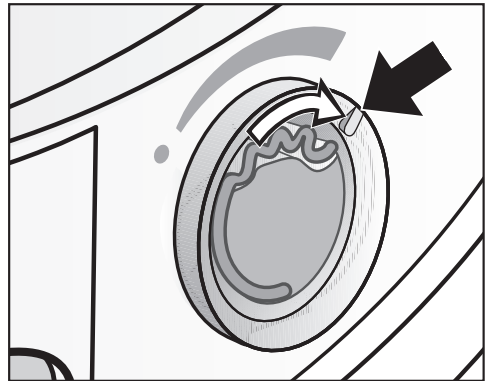
Marker ② must be in position ①: this is the position at which you can feel a resistance.



■ Turn the outer ring **R** clockwise a little.

## Before drying

You can select the intensity of the fragrance.



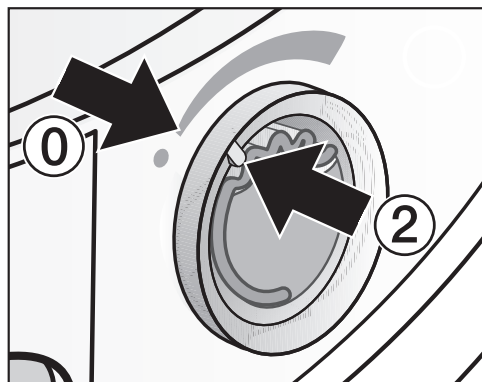
■ Turn the outer ring clockwise: the further you open the flacon, the more intense the fragrance.

## Fragrance flacon

Damp laundry and longer drying durations with sufficient heat transfer are needed for the fragrance to be released into the laundry effectively. The fragrance will also be noticeable in the room air during the process.

### After drying

To avoid the fragrance escaping needlessly:

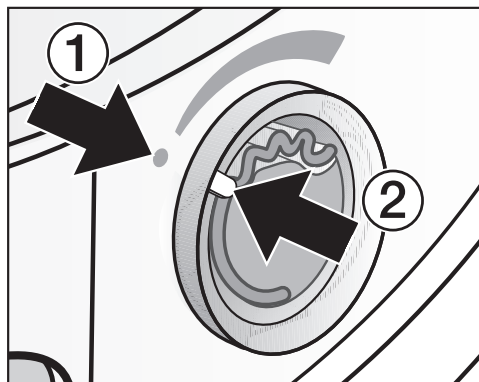


- Turn the outer ring anti-clockwise until marker ② is in position ①.
- You will feel a slight resistance.

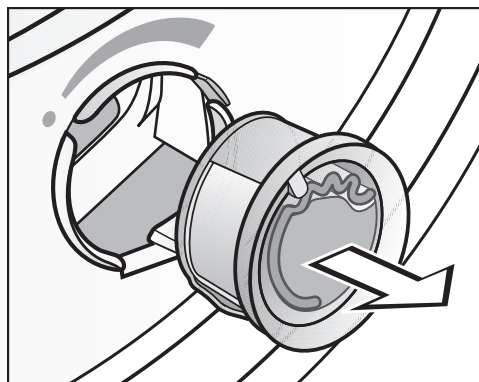
If you want to dry laundry without adding fragrance occasionally: remove the fragrance flacon and store it in its original packaging until you want to use it again. See the following section.

### Replacing the fragrance flacon

When the fragrance is no longer sufficiently intense:



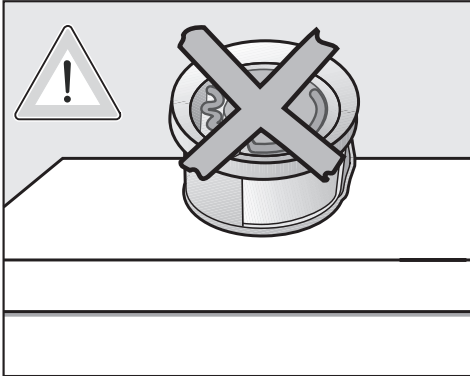
- Turn the outer ring anti-clockwise until markers ① and ② line up.



- Replace the fragrance flacon with a new one.

Fragrance flacons are available to order from Miele or online at [shop.miele.com](http://shop.miele.com) (depending on country).

# Fragrance flacon



- When purchasing new fragrance flacons: only remove the protective seal just before use.

## Cleaning the fluff filters

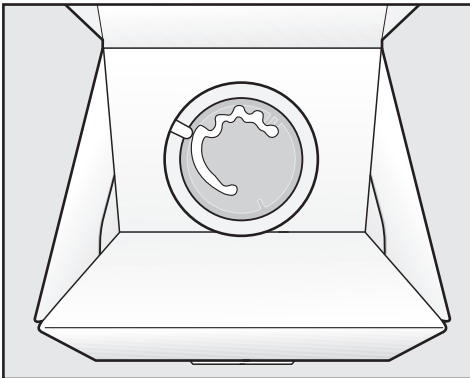
The intensity of the fragrance will be diminished if the fluff filters and the plinth filter are not cleaned.

⚠ The fragrance flacon must be removed before cleaning the fluff filter.

⚠ To prevent any fragrance running out of the flacon: when not in use, the fragrance flacon must only be stored in its original packaging as illustrated.

⚠ Never lay the fragrance flacon down on any surface as the fragrance will run out.

## Only store the fragrance flacon in its original packaging



- Clean the fluff filters and the plinth filter (see "Cleaning and care"). Afterwards, refit the fragrance flacon.

- When storing the fragrance flacon in its original packaging whilst you are not using it, e.g. whilst cleaning the tumble dryer: to prevent the fragrance running out, do not store the packaging upright on its edge or upside down.
- Store in a cool, dry place.
- Store away from direct sunlight.





## Problem solving guide

---

With the help of the following guide, minor faults in the performance of the appliance, some of which may result from incorrect operation, can be remedied without contacting Miele. This will save you time and money because you won't need a service call.

Please note that a call-out charge will be applied to unnecessary service visits where the problem could have been rectified as described in these operating instructions.

### Check indicators and fault messages

Problem	Possible cause and remedy
 <b>lights up after a programme has been cancelled and a signal sounds</b>	The condensed water container is full or there is a kink in the drain hose. <ul style="list-style-type: none"><li>■ Empty the condensed water container.</li><li>■ Check the drain hose.</li><li>■ See "Cleaning and care".</li></ul> To switch off  : <ul style="list-style-type: none"><li>■ Open and close the door (with the dryer switched on).</li></ul>
 <b>lights up at the end of a programme</b>	There is a build-up of fluff in the airways. <ul style="list-style-type: none"><li>■ Clean the fluff filters.</li><li>■ Clean the plinth filter.</li><li>■ See "Cleaning and care".</li></ul> To switch off  : <ul style="list-style-type: none"><li>■ Open and close the door (with the dryer switched on).</li></ul>

## Problem solving guide

Problem	Possible cause and remedy
-0- lights up	<p>The programme selector has been moved.</p> <ul style="list-style-type: none"> <li>■ Select the original programme. The time remaining will appear in the display again.</li> </ul>
<p><b>Bars flash in the display at the end of a programme:</b>  <i>L-3...L-3...L-3...</i></p>	<p>The programme has finished but the laundry has not yet cooled down.</p> <ul style="list-style-type: none"> <li>■ Either remove the laundry and spread it out to cool down or leave it in the tumble dryer to cool down during the cooling phase.</li> </ul>
<p><b>--- flashes/lights up after the tumble dryer is switched on and a programme cannot be selected</b></p>	<p>Access via a code has been activated.</p> <ul style="list-style-type: none"> <li>■ See "Programmable functions - P07 Code".</li> </ul>
<p><b>F and 066 light up after a programme has been cancelled, a signal sounds</b></p>	<p>An excessive amount of fluff has built up.</p> <ul style="list-style-type: none"> <li>■ Clean the fluff filters.</li> <li>■ Clean the plinth filter.</li> <li>■ Clean the airways: the area underneath the plinth filter and the heat exchanger.</li> <li>■ See "Cleaning and care".</li> </ul> <p>To switch off <i>F 066</i>:</p> <ul style="list-style-type: none"> <li>■ Switch the dryer off and then on again.</li> </ul>
<p><b>F and another number combination flash after a programme has been cancelled, a signal sounds</b></p>	<p>There is no obvious cause.</p> <ul style="list-style-type: none"> <li>■ Switch the dryer off and then on again.</li> <li>■ Start a programme.</li> </ul> <p>If the programme terminates again with the same error message, then there is a fault. Contact Miele.</p>
<p><b>0:00 lights up and the programme has been cancelled, a signal sounds</b></p>	<p>The laundry is unevenly distributed or has rolled up.</p> <ul style="list-style-type: none"> <li>■ Disentangle the laundry and remove a few items, if necessary.</li> <li>■ Switch the dryer off and then on again.</li> <li>■ Start a programme.</li> </ul>

## Problem solving guide

---

### Unsatisfactory drying results

Problem	Possible cause and remedy
<b>The laundry is not sufficiently dry</b>	<p>The load consisted of different types of fabric.</p> <ul style="list-style-type: none"><li>■ Finish drying using the <i>Warm air</i> programme.</li><li>■ Select a more suitable programme next time.</li></ul> <p>Useful tip: You can alter the drying levels for some programmes. See "Programmable functions", sections "<i>P01</i> Cotton drying levels", "<i>P02</i> Minimum iron drying levels".</p>
<b>Laundry or feather filled pillows smell after drying</b>	<p>The laundry was washed with insufficient detergent. Feathers are a natural product and this is quite normal.</p> <ul style="list-style-type: none"><li>■ Laundry: use sufficient detergent next time.</li><li>■ Pillows: take out of the tumble dryer and aerate.</li><li>■ Use a fragrance flacon (available as an optional accessory) for your favourite fragrance.</li></ul>
<b>Items made of synthetic fibres are charged with static electricity after drying</b>	<p>Synthetic fibres tend to attract static charge.</p> <ul style="list-style-type: none"><li>■ Static charge can be reduced by adding a fabric softener to the final rinse in the washing programme.</li></ul>
<b>There is a build-up of fluff</b>	<p>Fluff is principally the result of friction when garments are being worn and to some extent when they are being washed. Machine drying hardly causes any fluff to form.</p> <p>Fluff is collected by the fluff filters and the plinth filter and can be removed easily.</p> <ul style="list-style-type: none"><li>■ See "Cleaning and care".</li></ul>



## Other problems

Problem	Possible cause and remedy
<p><b>The drying process goes on too long or even switches off*</b></p>	<p>The room in which the tumble dryer is located is too warm.</p> <ul style="list-style-type: none"> <li>■ Ventilate the room thoroughly.</li> </ul>
	<p>Detergent residues, hair and fine fluff can clog the filters.</p> <ul style="list-style-type: none"> <li>■ Clean the fluff filters and the plinth filter.</li> <li>■ Remove any visible fluff behind the panel in the heat exchanger cavity (see "Cleaning and care - Plinth filter").</li> </ul>
	<p>The cool air intake (bottom right grille) is blocked.</p> <ul style="list-style-type: none"> <li>■ Move any objects, such as a laundry basket, away from the dryer.</li> </ul>
	<p>The fluff filters and the plinth filter were wet when replaced.</p> <ul style="list-style-type: none"> <li>■ The fluff filters and the plinth filter must be dry.</li> </ul>
	<p>The laundry is too damp.</p> <ul style="list-style-type: none"> <li>■ Spin using a higher spin speed in the washing machine.</li> </ul>
	<p>The tumble dryer has been overloaded.</p> <ul style="list-style-type: none"> <li>■ Do not exceed the maximum load for the programme selected.</li> </ul>
	<p>Metallic components, e.g. zippers, have prevented the dryer from registering the correct moisture level.</p> <ul style="list-style-type: none"> <li>■ Open the zippers next time.</li> <li>■ If the problem recurs, dry these items using the <i>Warm air</i> timed drying programme.</li> </ul>
	<p><b>* Before starting another programme:</b></p> <ul style="list-style-type: none"> <li>■ Switch the dryer off and then on again.</li> </ul>
<p><b>There are humming noises</b></p>	<p>The compressor is operating. These noises are quite normal and do not indicate a fault.</p>

## Problem solving guide

Problem	Possible cause and remedy
<p><b>A programme cannot be started</b></p>	<p>There is no obvious cause.</p> <ul style="list-style-type: none"> <li>■ Connect the tumble dryer to the mains electricity supply.</li> <li>■ Turn on the tumble dryer.</li> <li>■ Close the door.</li> <li>■ Check whether the mains fuse has tripped.</li> </ul> <p>Has there been a power cut? When power is restored, any previously running programme will restart automatically.</p>
<p><b>Only the <i>Start/Stop</i> sensor is flashing</b></p>	<p>10 minutes after the end of the programme, the <i>Start/Stop</i> sensor will begin to flash and the display will go out to save energy. This is not a fault, but a normal function.</p> <p>The drum will turn at intervals in the anti-crease phase.</p> <ul style="list-style-type: none"> <li>■ Touch a sensor to switch on the indicators.</li> </ul> <p>See "Programmable functions", section "<i>P//</i> Control panel switch-off status".</p>
<p><b>The dryer is switched off at the end of the programme</b></p>	<p>The dryer switches off automatically to save energy. This is not a fault, but a normal function.</p> <ul style="list-style-type: none"> <li>■ To switch the dryer on, select a programme.</li> </ul> <p>You can change the automatic switch-off function. See "Programmable functions", section "<i>P/2</i> Dryer switch-off status".</p>
<p><b>The interior drum lighting does not come on</b></p>	<p>The drum lighting will switch off automatically ...</p> <ul style="list-style-type: none"> <li>... when the door is closed.</li> <li>... after a few minutes when the door is open (to save energy).</li> </ul> <p>If the dryer is switched on, the drum lighting will come on when the door is opened.</p>

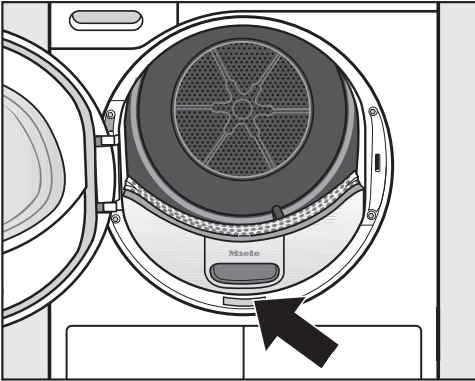
## Contact in case of fault

In the event of any faults which you cannot remedy yourself, please contact Miele.

Contact information for Miele can be found at the end of this document.

Please quote the model and serial number of your appliance when contacting Miele. This information can be found on the data plate.

The data plate is visible when the door is open.



## Optional accessories

Optional accessories for this tumble dryer are available from Miele (see contact details at the back of these instructions).

You also can order these and many other useful products via the internet at [shop.miele.com](http://shop.miele.com) (depending on country).

## Drying basket

The drying basket is suspended in the drum and does not rotate with the drum. This enables items which must not be subjected to mechanical action to be dried or aired.

## Fragrance flacon

A fragrance flacon can be used in your tumble dryer to add a pleasant fragrance to your laundry.

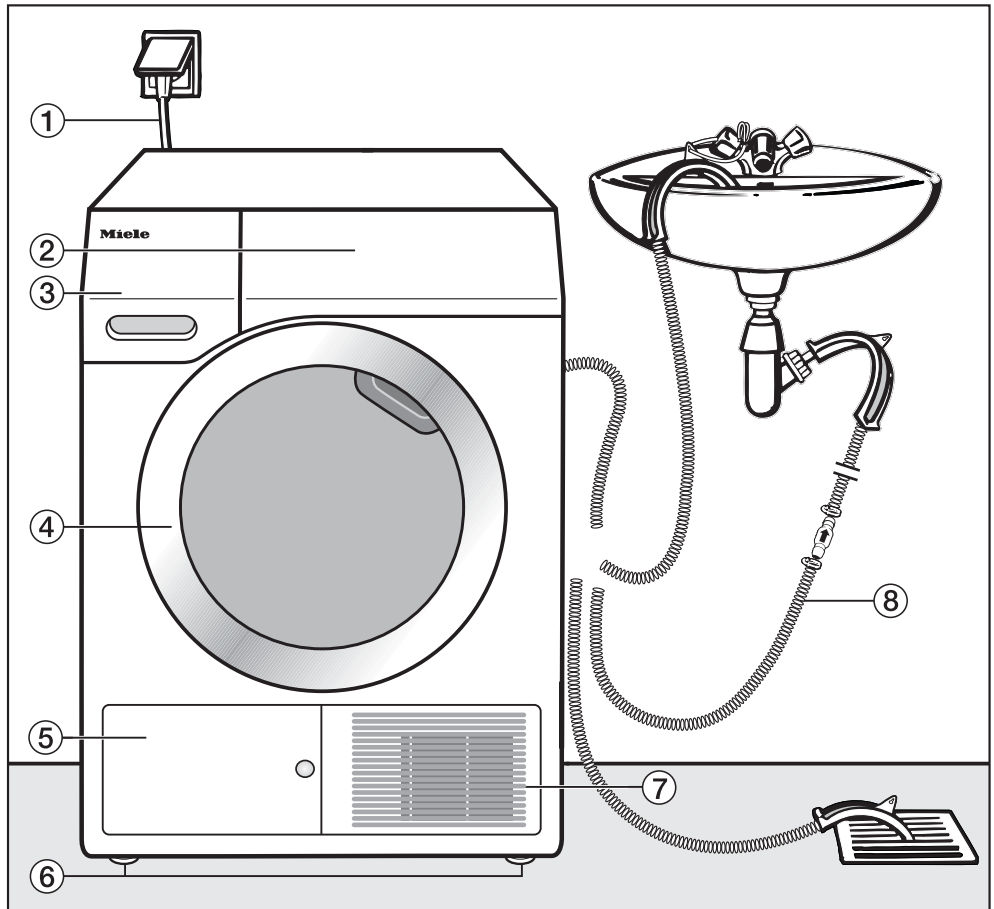
## Warranty

The manufacturer's warranty for this appliance is 2 years.

For further information, please refer to your warranty booklet.

# Installation and connection

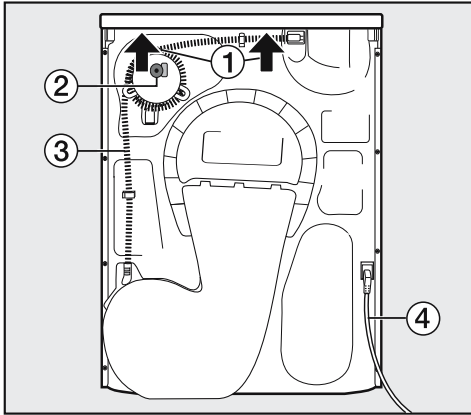
## Front view



- ① Mains connection cable
- ② Control panel
- ③ Condensed water container
  - empty after every drying cycle
- ④ Door
  - do not open during drying
- ⑤ Heat exchanger access panel
  - do not open during drying
- ⑥ Four height adjustable screw feet
- ⑦ Cool air intake grille
  - do not obstruct with a laundry basket or other objects
- ⑧ Hose for external drainage of condensed water

# Installation and connection

## Rear view



- ① Protruding lid for holding when moving the tumble dryer (see arrows)
- ② Accessories for external drainage of condensed water: hose clip, adapter and hose holder
- ③ Hose for external drainage of condensed water
- ④ Mains connection cable

## Transporting the tumble dryer to its installation site

**!** Make sure the fixings at the back of the lid are secure.

Otherwise there is a danger of the lid being pulled off when carrying the appliance.

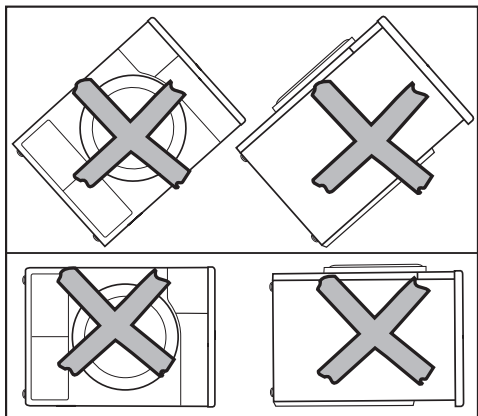
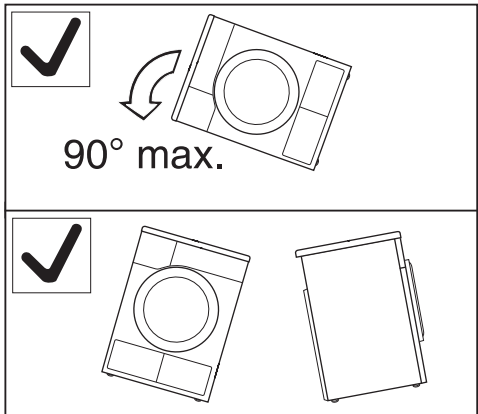
Before carrying the appliance, check that the lid is secure where it protrudes at the back of the appliance.

- Carry the tumble dryer by the front feet and by the lid where it protrudes at the back of the appliance.

**!** Only transport the dryer as illustrated. If transporting the dryer on its side, it must be tipped towards the left side.

If the tumble dryer has not been transported as described, then it must be left to stand for at least 1 hour before it is connected to the electricity supply.

Otherwise the heat pump can be damaged.



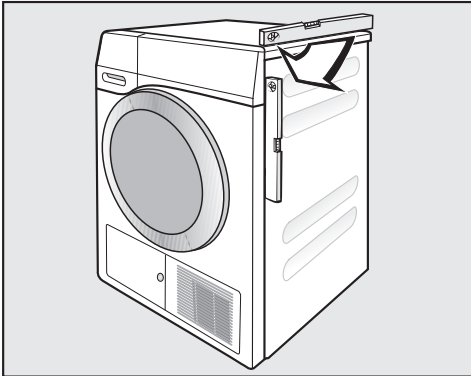
# Installation and connection

## Installation

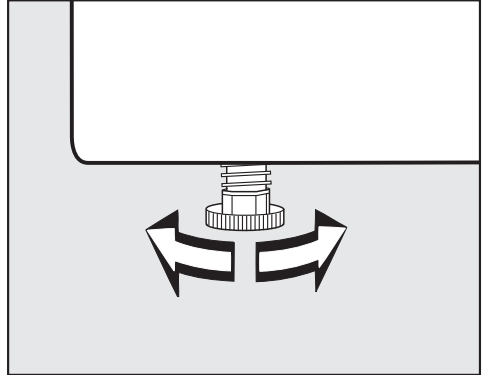
### Levelling the dryer

The appliance must not be installed behind a lockable door, a sliding door or a door with a hinge on the opposite side to that of the tumble dryer, in such a way that a full opening of the tumble dryer door is restricted.

Make sure the dryer door can be opened without hindrance after installation.





The appliance must stand perfectly level to ensure safe and proper operation.



The screw feet can be adjusted to compensate for any unevenness in the floor.

## Ventilation

 The cool air intake at the front of the dryer must not be blocked or covered. This would hinder a sufficient intake of cool air for the heat exchanger.

 Do not block the gap between the bottom of the tumble dryer and the floor with plinth facings, deep pile carpet etc. This would hinder a sufficient flow of air to the tumble dryer.

Adequate ventilation has to be provided to avoid the back flow of gases into the room from appliances burning other fuels, including open fires.

Air which is taken in to cool the heat exchanger is then blown back out of the dryer and warms up the air in the room. It is therefore very important to ensure adequate ventilation, e.g. by opening a window. Otherwise drying durations may be longer (increased energy requirement).


## Before moving the tumble dryer again (e.g. when moving house)

After each use a small quantity of condensed water will collect in the area of the pump. This water can run out if the tumble dryer is tipped up when it is being moved. Recommendation: Run the *Warm air* programme for approximately 1 minute before moving the tumble dryer. Any remaining condensed water will then be fed into the condensed water container, which can then be emptied, or out through the drain hose.

# Installation and connection

---

## Additional installation requirements

 The dryer should not be installed next to a refrigeration appliance. The warm air expelled from the rear of the dryer would increase the temperature around the refrigeration appliance's heat exchanger causing the compressor to run continuously. If it is not possible to install the dryer anywhere else, then the refrigeration appliance must be sealed off from the dryer.

It is very important to avoid a build-up of heat. The warm air which is expelled from the dryer must be able to dissipate. Warm air which cannot dissipate could cause a fault.

A build-up of heat can be avoided by:

- Adjusting the screw feet so that there is a gap of at least 20 mm between the floor and the bottom of the dryer.
- Creating a gap for the dryer in the kitchen furniture plinth facing.
- Creating ventilation gaps in the kitchen unit.

## Suitable for pushing under a worktop

This tumble dryer is suitable for pushing under a worktop.

- The appliance lid must not be removed.
- The electrical socket must be located in an accessible position near the appliance.
- Drying durations may increase slightly.

## Optional accessories

### – Washer-dryer stack

The tumble dryer can also be combined with a Miele washing machine in a washer-dryer stack. The appropriate Miele washer-dryer stacking kit is required.



## Externally draining condensed water

### Notes

When drying is in progress, condensed water is pumped into the condensed water container through the drain hose which is located at the back of the dryer.


The condensed water can also be drained away via the drain hose so that the condensed water container does not have to be emptied.

Drain hose length: 1.60 m  
Maximum delivery head: 1.50 m  
Maximum drain hose length: 4.00 m

### The following optional accessories are available:

- an extension hose,
- a non-return valve kit for connection to an external water outlet. The kit includes an extension hose.

### Installation conditions requiring a non-return valve

 There is a risk of backflow into the dryer if a non-return valve is not fitted.


Backflow could damage the dryer and also the room in which it is located.

Certain installation conditions, such as those described below, require the fitting of a non-return valve.

Maximum delivery head with non-return valve fitted: 1.00 m

### Installation conditions requiring the fitting of a non-return valve:

- Drainage into a sink or floor gully where the end of the hose is immersed in water.
- Connection to a sink drain outlet.
- Connection to a drainage system already in use by another appliance, e.g. a dishwasher or washing machine.

 The non-return valve has to be fitted with the arrow pointing in the direction of flow. Otherwise water will not drain out of the appliance.

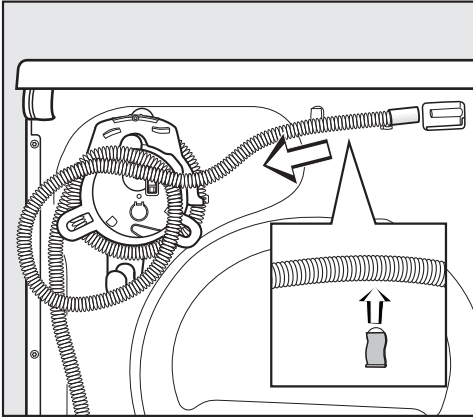
# Installation and connection

## Arranging the drain hose

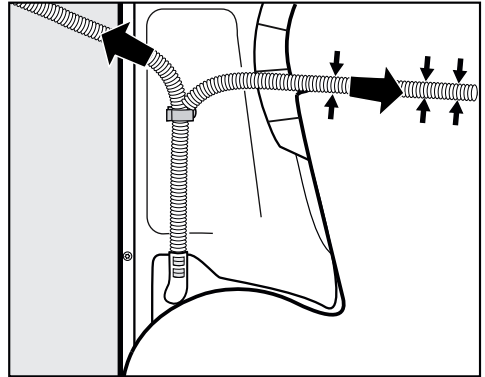
⚠ Do not pull on the drain hose and do not stretch it or allow it to become kinked.

This could damage the hose.

There will be a small amount of residual water left in the drain hose. Have a container ready to collect this.



- Pull the drain hose off its connection.
- Unwind the hose and pull it carefully out of the holders.
- Allow any residual water to run into the container.



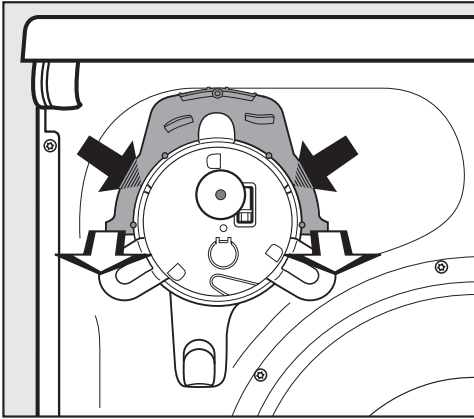
- Guide the hose to the right or left side of the dryer, as required.
  - If you are guiding it to the right, you can fit the hose into the groove.
  - Leave the hose in the lower holder to prevent it from being kinked inadvertently.

# Installation and connection

## Examples

### – Drainage into a sink or floor gully

Use the hose holder to prevent the drain hose from becoming kinked.



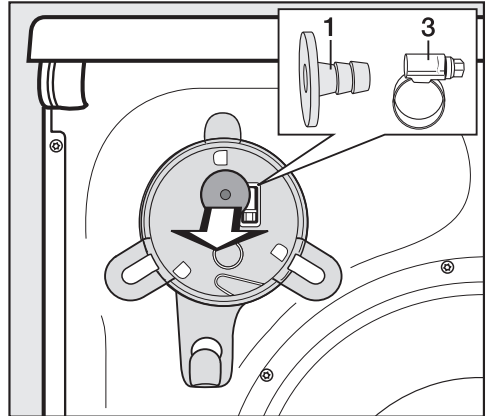
- Press the small catches on the left and right of the hose holder with your thumbs (black arrows) and ...
- ... pull the hose holder forwards to remove it (white arrows).\*

⚠ If you want to drain the water off into a sink or basin, you will need to secure the hose carefully, e.g. by tying it to a tap, to make sure it cannot slip during use (see the drawing under "Installation and connection - Front view").  
Overflowing water can cause damage.

- The non-return valve can be fitted in the end of the hose.

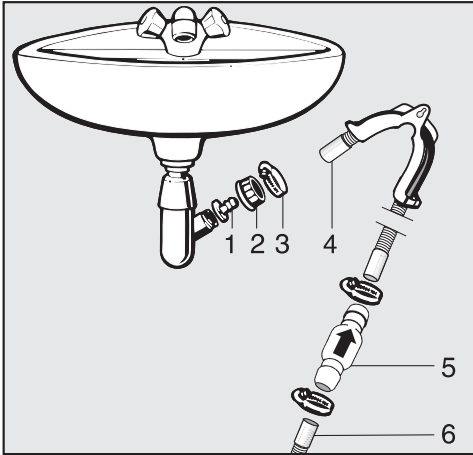
\* You can refit the hose holder at a later stage if you decide that you no longer want to drain the condensed water externally.

### Direct connection to a sink drain outlet



- Remove the following from the back of the dryer at the top: Adapter **1** and hose clip **3** behind it.
- Connect the drain hose as described below.

## Installation and connection



1. Adapter
2. Nut
3. Hose clip
4. End of the hose (secured with the hose holder)
5. Non-return valve
6. Tumble dryer drain hose

- Fit the adapter **1** to the sink drain outlet using the nut **2**.  
The nut is usually fitted with a washer which must be removed.
- Attach the end of the hose **4** to the adapter **1**.
- Use the hose holder.
- Use a screwdriver to tighten the hose clip **3** up close to the nut.
- Fit the non-return valve **5** to the tumble dryer drain hose **6**.

The non-return valve **5** has to be fitted so that the arrow points in the direction of flow (i.e. towards the sink).

- Secure the non-return valve using hose clips.

## Electrical connection

This tumble dryer is supplied with a mains cable with moulded plug.

The accessibility of the plug must be always ensured in order to separate the tumble dryer from the mains.

Connection of this appliance must comply with national and local safety regulations.

Do not connect the appliance via an extension lead. Extension leads do not guarantee the required safety of the appliance (e.g. danger of overheating).

The appliance must be connected only by a qualified electrician in accordance with national and local safety regulations. For extra safety, it is advisable to install a residual current device (RCD) with a trip current of 30 mA.

The voltage, rated load and plug rating are given on the data plate. Please ensure that these match the household mains supply.

## Important

The wires in the mains lead are coloured in accordance with the following code:

Green/yellow = earth


Blue = neutral

Brown = live

As the colours of the wires in the mains lead of this appliance may not correspond with the coloured markings identifying the terminals in your plug, proceed as follows: The wire which is coloured green and yellow must be connected to the terminal in the plug which is marked with the letter E or by the earth symbol or coloured green or green and yellow. The wire which is coloured blue must be connected to the terminal which is marked with the letter N or coloured black. The wire which is coloured brown must be connected to the terminal which is marked with the letter A or coloured red.

**WARNING**  
**THIS APPLIANCE MUST BE**  
**EARTHED**

# Consumption data

	Load <sup>1</sup>	Final spin speed of the washing machine	Residual moisture	Energy	Duration	
	kg	rpm	%	kWh	min.	
<b>Cottons</b> 	7.0 3.5	1000 1000	60 60	1.73 0.97	137 83	
<b>Cottons Normal</b>	7.0 7.0 7.0	1200 1400 1600	53 50 44	1.55 1.45 1.30	124 118 105	
<b>Cottons Normal incl. Gentle tumble</b>	7.0	1000	60	1.78	145	
<b>Cottons Hand iron</b>	7.0 7.0 7.0 7.0	1000 1200 1400 1600	60 53 50 44	1.29 1.15 1.05 0.90	102 89 83 71	
<b>Minimum iron Normal</b>	4.0	1200	40	0.65	57	
<b>Minimum iron Normal incl. Gentle tumble</b>	4.0	1200	40	0.66	59	
<b>Proofing</b>	2.5	800	50	1.22	110	
<b>Woollens handcare</b>	2.0	1000	50	0.03	5	
<b>Express Normal</b>	4.0	1000	60	1.10	97	
<b>Shirts Normal</b>	2.0	600	60	0.60	58	
<b>Denim Normal</b>	3.0	900	60	1.28	116	
<b>Outerwear Normal</b>	2.5	800	50	0.85	76	
<sup>1</sup> Weight of dry laundry						
All data was calculated using EN 61121 unless otherwise stated.						
Power consumption when switched off:				0.4 W		
Power consumption when not switched off:				1.5 W		

**Consumption data can vary from the nominal values given above depending on the size of the load, types of textiles, residual moisture levels after spinning and fluctuations in the electricity supply.**

Using the Cottons Normal dry programme is recommended for a mixed cotton load and is the programme used in energy consumption tests to AS/NZS 2442 (Refer to [www.energyrating.gov.au](http://www.energyrating.gov.au) website for consumption data).

Height	850 mm
Width	596 mm
Depth	636 mm
Depth with door open	1054 mm
Height for building under	850 mm (+5/-5 mm)
Width for building under	600 mm
Depth for building under	600 mm
Suitable for pushing under a worktop	Yes
Suitable for stacking	Yes
Weight	Approx. 62 kg
Drum volume	120 l
Maximum capacity	7.0 kg (weight of dry laundry)
Capacity of condensed water container	4.8 l
Drain hose length	1.60 m
Maximum delivery head	1.50 m
Maximum drain hose length	4.00 m
Length of connection cable	2.00 m
Voltage	See data plate
Rated load	See data plate
Fuse rating	See data plate
Test certificates awarded	See data plate
Energy consumption	See "Consumption data"
LEDs	Class 1

# Programmable functions

## Programming

You can use the programmable functions to alter the dryer's electronics to suit your requirements.

Programming is carried out in 8 steps (1, 2, 3 ... 8) using the sensors.

### Accessing the programming level

Before you begin, ensure the following:

- The dryer is switched on and a programme is selected.
  - The door of the dryer is open.
- 1 Touch the *Start/Stop* sensor and hold it down during steps 2-3.
  - 2 Close the dryer door.

Wait until the *Start/Stop* sensor lights up constantly ...

- 3 ... then release the *Start/Stop* sensor.

## Choosing and selecting a programmable function

The number of the programmable function will appear in the display as *P* and a number: e.g. *P01*.

- 4 Touch the > or < sensor to scroll to the next or previous programmable function:

Programmable function	
<i>P01</i>	Cotton drying levels
<i>P02</i>	Minimum iron drying levels
<i>P04</i>	Extended cool down
<i>P05</i>	Keypad tone
<i>P07</i>	PIN Code
<i>P08</i>	Conductivity
<i>P11</i>	Control panel switch-off status
<i>P12</i>	Dryer switch-off status
<i>P13</i>	Memory
<i>P14</i>	Anti-crease
<i>P23</i>	Backlight brightness dimmed

- 5 Confirm the selected programmable function by pressing the *Start/Stop* sensor.



# Programmable functions

## Editing and saving the programmable function

You can either switch a programmable function on or off or select different options.

- 6 Touch the > or < sensor to switch the programmable function on/off or to select an option:

Programmable function	Available options							
	-00	-01	-02	-03	-04	-05	-06	-07
	P01		X	X	X	O	X	X
P02		X	X	X	O	X	X	X
P04	O	X	X	X	X	to		-09
P06	O	X						
P07	O	X						
P08		O	X					
P11	X		O					
P12		O	X	X				
P13	O	X						
P14	X	X	O					
P23		X	O	X	X	X	X	X


X = Can be selected

O = Factory default setting

- 7 Confirm the chosen selection with the *Start/Stop* sensor.

The number of the programmable function, e.g. *P01* will light up again.

## Exiting the programming level

- 8 Turn the programme selector to .

The settings have been changed. You can alter the settings again at any time.

## P01 Cotton drying levels

You can adjust the drying levels for the *Cottons* programme to one of 7 different levels.

### Options

- 01 = even damper
- 02 = damper
- 03 = a little damper
- 04 = **Factory default**
- 05 = a little drier
- 06 = drier
- 07 = even drier

Exception:

The *Cottons*  programme will remain unchanged.

## Programmable functions

---

### P02 Minimum iron drying levels

You can adjust the drying levels for the *Minimum iron* programme to one of 7 different levels.

#### Options

- 01 = even damper
- 02 = damper
- 03 = a little damper
- 04 = **Factory default**
- 05 = a little drier
- 06 = drier
- 07 = even drier

### P04 Extended cool down

The automatic cooling down phase which takes place before the end of a programme can be extended for all programmes with selectable drying levels in 2-minute increments up to 18 minutes. This makes the garments easier to handle.

#### Options

- 00 = **Factory default**
- 01 = Cool down time 2 minutes longer
- 02 = Cool down time 4 minutes longer
- 03 = Cool down time 6 minutes longer
- 04 = Cool down time 8 minutes longer
- 05 = Cool down time 10 minutes longer
- 06 = Cool down time 12 minutes longer
- 07 = Cool down time 14 minutes longer
- 08 = Cool down time 16 minutes longer
- 09 = Cool down time 18 minutes longer

## P05 Keypad tone

With this setting, you can activate/deactivate the signal tone that sounds each time a sensor is touched.

### Options

-00 = Off

-01 = **On (factory default)**

In the case of a selection that is not allowed, a negative signal tone sounds.

## P07 PIN Code

The code prevents your machine being used without your knowledge.

When the code has been activated, you have to enter the code after switching the dryer on. Otherwise the dryer cannot be operated.

### Options

-00 = **Off (factory default)**

-01 = On

If option -01 has been selected, after switching on you will have to enter the code before you can operate the dryer.

### Using the dryer when the code is activated

After the dryer is switched on, --- will flash in the time display.


The code is 250 and cannot be altered.

- Touch the > sensor until a 2.. flashes in the first position.
- Confirm with the *Start/Stop* sensor.

- Enter the two other numbers in the same way.

The dryer is ready for use after 250 has been entered and confirmed.

## P08 Conductivity

 This programmable function should only be altered if the water is so soft that it is likely to cause the electronics which sense residual moisture in the laundry to give false readings.


### Options

-01 = **Off (factory default)**

-02 = Low

### Important

This programmable function should only be set if the water used for washing the laundry is extremely soft with a conductivity reading (electrical conductivity) of less than 150 µS/cm. Contact your local water authority for the conductivity level of your mains water supply.

 Make sure that you only activate -02 for the condition described above. Otherwise drying results can be unsatisfactory.

# Programmable functions

## P11 Control panel switch-off status

To save energy the time display and sensors will go out after 10 minutes, and only the *Start/Stop* sensor will flash slowly. You can change this automatic switch-off function.

However, there is no switch-off in the event of a fault.

### Options

-00 = Off

The time display and sensors will remain lit up while the dryer is switched on.

-02 = **On (factory default)**

The time display and sensors will go out after 10 minutes . . .  
. . . if no further selection is made after switching the dryer on.  
. . . after a programme has started.

However, the time display and sensors will remain lit up for 10 minutes after a Delay start time has elapsed, after the end of a programme, or at the end of the Anti-crease phase.

### "Switch on" display again

- Turn the programme selector to any position (other than ☺) or touch a sensor. This will not alter a running programme.
- Open the door while the dryer is switched on.

## P12 Dryer switch-off status

The dryer switches off automatically after 15 minutes to save energy. This time can be extended or reduced.

The dryer will switch off automatically after 15, 20 or 30 minutes

- if no further selection is made after switching the dryer on.
- at the end of the Anti-crease phase.
- after a programme without an anti-crease phase has finished.

However, there is no switch-off in the event of a fault.

### Options

-01 = **after 15 minutes (factory default)**

-02 = after 20 minutes

-03 = after 30 minutes

## P13 Memory

You can set the following: The electronics will memorise the drying level and any options selected for the current drying programme. It will also memorise the duration of the *Warm air* programme. When the programme is selected again, these memorised settings will appear in the display.

### Options

-00 = **Off (factory default)**

-01 = On

Exception:

The *Cottons*  programme will remain unchanged.

## P14 Anti-crease

After the programme has finished, the drum will continue to rotate at intervals for a max. of 2 hours. This helps prevent creasing if the laundry is not removed immediately after the end of the programme. The duration can be shortened.

### Options

- 00 = no Anti-crease
- 01 = 1 hour
- 02 = **2 hours (factory default)**

## P23 Backlight brightness dimmed

The brightness of the dimmed sensors in the control panel can be selected at seven different levels.

It will change as soon as a different setting is chosen.

### Options

- 01 = darkest level
- 02 = **Factory default**
- ...
- 07 = brightest level



**Miele Australia Pty. Ltd.**

ACN 005 635 398  
ABN 96 005 635 398

**Miele Experience Centre and  
Head Office Melbourne:**

1 Gilbert Park Drive  
Knoxfield, VIC 3180

**Miele Experience Centre South Melbourne:**

206-210 Coventry Street  
South Melbourne, VIC 3205

**Miele Experience Centre and Office Sydney:**

3 Skyline Place  
Frenchs Forest, NSW 2086

**Miele Experience Centre and Office Brisbane:**

39 Harvey Street North  
Eagle Farm, QLD 4009

**Miele Experience Centre Gold Coast:**

131 Ferry Road  
Southport, QLD 4215

**Miele Experience Centre and Office Adelaide:**

83-85 Sir Donald Bradman Drive  
Hilton, SA 5033

**Miele Experience Centre and Office Perth:**

205-207 Stirling Highway  
Claremont, WA 6010



[www.miele.com.au](http://www.miele.com.au)



**Miele New Zealand Limited**

IRD 98 463 631

**Head Office:**

Level 2, 10 College Hill  
Freemans Bay, Auckland 1011

**Miele Experience Centre  
Auckland:**

8 College Hill  
Freemans Bay, Auckland 1011  
Telephone:  
0800 464 353 (0800 4 MIELE)  
[www.miele.co.nz](http://www.miele.co.nz)

**Miele Global Headquarters**

**Germany**

**Miele & Cie. KG**

Carl-Miele-Straße 29  
33332 Gütersloh  
Federal Republic of Germany

TDB 130 WP



en-AU, NZ

M.-Nr. 10 635 870 / 01