

G 4263 Vi Active

Fully integrated dishwashers

with delay start for maximum convenience at an attractive entry-level price.



- Save up to 40 % more electricity – hot water connection
- Very easy door opening and closing – ComfortClose
- Every piece of crockery has its place – Miele basket design
- Maximum versatility – Height-adjustable upper basket

Construction type	
Fully integrated dishwasher	•
60 cm dishwasher	•
Design	
Colour	Stainless Steel.
Control panel version	Fully integrated fascia
Control type	Programme selector button
Display	3-digit 7-segment indicator
Display colour	Yellow
Convenience	
Door closing aid	ComfortClose
Time left display	•
Delay start up to 24 hours	•
In-operation indicator light	acoustic
Efficiency and sustainability	
Water consumption in the ECO programme in l	14.0
Water consumption in the Automatic programme in l from	13.5
Consumption values with ThermoSave® in ECO programme in kWh	0.37
Hot water connection	•
Gentle treatment of crockery and glassware	
Recirculation Turbothermic drying	•
Wash programmes	
ECO	•
Automatic	•
Intensive 75 °C	•
Normal 55 °C	•
Gentle	•
Dishwashing options	
Short	•
Basket design	
Cutlery loading	Cutlery basket
Basket design	Comfort
Technology and quality	
Sensors	AutoSensor
Safety	
Waterproof system	•

G 4263 Vi Active

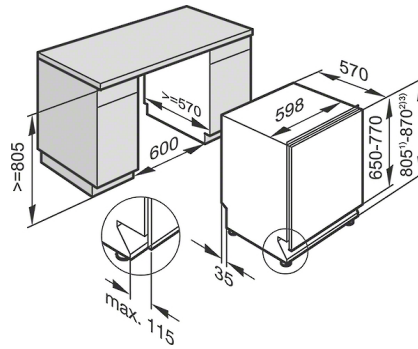
Fully integrated dishwashers
with delay start for maximum convenience at an attractive entry-level price.



Technical data	
Niche width in mm	600
Niche height in mm	805
Niche depth in mm	570
Appliance width in mm	598
Appliance height in mm	805
Appliance depth in mm	570
Depth with door open in cm	116.5
Net weight in kg	45.5
Total rated load in kW	2.2
Voltage in V	230
Fuse rating in A	10
Number of phases	1
Length of water drain hose in m	1.50
Length of supply lead in m	1.90
Length of water inlet hose in m	1.50

G 4263 Vi Active

Fully integrated dishwashers
with delay start for maximum convenience at an attractive entry-level price.



G1000/G1002, G5000, G6000 fully-integrated dishwasher
(installation drawings)

- 1) Plinth height 35-155 mm
- 2) Plinth height 100-220 mm
- 3) Appliance height max. 930 mm with plinth height conversion kit (Mat.-Nr. 6.394.760)