



AC200191
Width 86 cm
Air extraction / Air recirculation



Can be integrated invisibly in upper cabinet
Energy-saving, low-noise fan
Rim extraction with flat and easy-to-clean glass underside
Dimmable, neutral white LED light for ideal illumination of the whole cooktop
Air extraction or air recirculation system

Output
3 electronically controlled power levels and 1 intensive mode.
Odour reduction air recirculation 94 %.

Features
Stainless steel and glass
Remote control is available as a special accessory.
Interval ventilation, 6 min.
Run-on function, 6 min.
Grease filter saturation indicator.
Metal grease filter, dishwasher-safe.
Glass filter cover.
Neutral white LED light (4000 K), dimmable.
Lamp output 2 x 1 W.
Illuminance 266 lx.
Fan technology with highly efficient, brushless DC motor (BLDC).

Consumption data
Energy consumption 31.4 kWh/year.
Sound level min. 41 dB / max. 64 dB normal mode.

Planning notes
Patented air recirculation module with activated charcoal filter can be installed in the upper cabinet. The activated carbon filter can be changed from the front by simply pulling out the filter drawer.
The door of the upper cabinet must be fully open in order to change the activated charcoal filter.
Can be integrated invisibly in upper cabinet.
Vario cooktops with intensive production of vapours like VR/VP should be placed in the middle beneath the hood (in this case air recirculation is not recommended).
Clearance above electric appliances min. 50 cm.
When installing a ventilation hood with air extraction mode and a chimney-vented fireplace, the power supply line of the ventilation appliance needs a suitable safety switch.

Connection
Total connected load 172 W.
Connecting cable 1.0 m with plug.

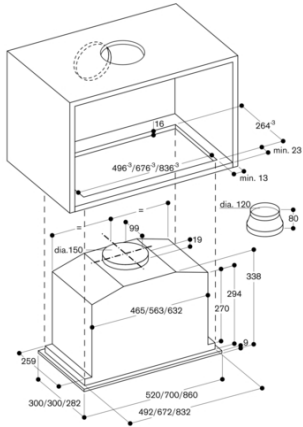
Characteristics
Product name/family
Color chimney
Typology
Built-in/Built-under
Approval certificates
CE, Eurasian, G-Mark, Ukraine, VDE
Length electrical supply cord
100
Required niche size for installation (HxWxD)
418mm x 836.0mm x 264mm
Height of the chimney
Height of product, without chimney
Minimum distance above an electric cooktop
500
Minimum distance above a gas cooktop
650
Net weight
9.738
Type of control
Electronic
Number of power settings
3-stages + intensive setting
Maximum output air extraction
610
Boost position output recirculating
790.0
Maximum output recirculating air
540
Boost position air extraction
800
Number of lights
2
Noise level
64
Diameter of air outlet
120 / 150
Grease filter material
Washable aluminium
EAN code
4242006284787
Connection Rating
172
Fuse protection
3
Voltage
220-240
Frequency
50
Plug type
Gardy plug w/ earthing
Installation type
Built-in

Consumption and connection features

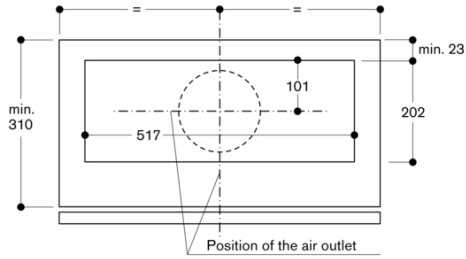
2021-09-27
Page 1

Color Variants

AC200191
Air extraction / Air recirculation



View of upper cabinet from above with AC 200 and AA 211 812



Cross-section of upper cabinet with AC 200 and AA 211 812

