



BMP225100
Microwave oven 200 series
Full glass door in Gaggenau Anthracite
Width 60 cm
Left-hinged
Controls at the bottom

Flush installation
Handleless door / automatic door opening
Single operation and combination of microwave and grill
Sequential operation of up to 5 modes incl. programming of combined operation and rest time
TFT touch display
Electronic temperature control
Interior volume 21 litres

Programmes

Microwave operation with 5 output levels: 900, 600, 360, 180, 90 W.
Full surface grill with 3 levels of intensity, maximum output 1300 W.
Full surface grill with microwave output levels 360, 180 and 90 W combinable.
10 automatic programmes with weight indication:
3 defrosting programmes
4 cooking programmes
3 combination programmes
Option to save individual recipes.

Handling

Automatic door opening.
Rotary knob and TFT touch display operation.
Clear text display.
Information key with use indicators.
Side-opening door opens up to 110° angle.

Features

Innowave.
Actual temperature display.
25 W interior light.
Hygienic stainless steel interior with glass ceramic base.

Safety

Thermally insulated door with double glazing.
Triple door lock.
Child lock.
Safety shut-off.
Cooled housing with temperature protection.

Planning notes

Door hinge not reversible.
Minimum installation height 85 cm (top edge of niche bottom).
Height-adjustable feet.
Installation of BMP above BOP with intermediate shelf.
Necessary lateral gap between appliance door and furniture panel of min. 5 mm.
The door panel surface of the appliance extends 21 mm from the furniture cavity.
When planning a corner solution, pay attention to the 90° door opening angle.

Connection

Total connected load 2.0 KW.
Connection cable 1.7 m, pluggable.

Characteristics

Type of micro-wave oven
MW+Grill function
Type of control
Electronic
Color / Material Front
Anthracite
Dimensions
Cavity dimensions
220 x 350 x 270
Length electrical supply cord
170
Net weight
18.905
Gross weight
21.6
Approval certificates
CE, E17D UKCA marking, Ukraine, VDE
Maximum micro-wave power
900
Number of Power Levels
5
Turntable
No
Turntable diameter (in)
Heating type
Cavity material
Stainless steel
Door opening
Button
Clock
Yes
Max. extraction rate
Maximum output recirculating air
Ventilation Power Levels
Type of Filter
Illumin type - kind of lamps
number of lamps
Included accessories
1 x glass pan, 1 x grid
Main colour of product
Anthracite
Height of the product
382
Width of the appliance
590
Depth of the product
321
Maximum micro-wave power
900
Connection rating
1990
Fuse protection
10
Voltage
220-240
Frequency
60; 50
Plug type
Gardy plug w/ earthing
Connecting cable type
Universal Product Code
825225914167
Color / Material Front
Anthracite
Alternative colors available
BMP225110, BMP225130
Approval certificates
CE, E17D UKCA marking, Ukraine, VDE
Length of electrical supply cord (in)
Required cutout/niche size for installation (in)
Appliance Dimensions (h x w x d) (in)
x x
Dimensions of the packed product
18.50 x 18.11 x 26.37
Net weight
42.000
Gross weight
48.000

Consumption and connection features

2021-09-24
Page 1

Color Variants

BMP225100
Full glass door in Gaggenau Anthracite
Width 60 cm
BMP225110
Full glass door in Gaggenau Metallic
Width 60 cm
BMP225130
Full glass door in Gaggenau Silver
Width 60 cm

Included accessories

1 x glass pan.
1 x grid.

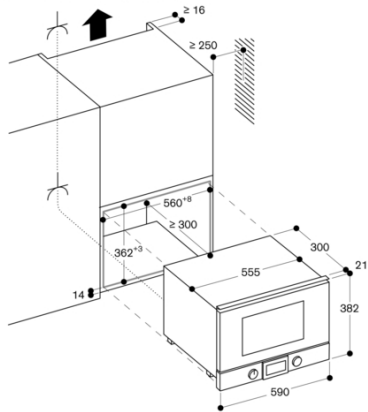
Product Variants

BMP224100
Microwave oven 200 series
Full glass door in Gaggenau Anthracite
Width 60 cm
Right-hinged
Controls at the bottom

BMP225100
Microwave oven 200 series
Full glass door in Gaggenau Anthracite
Width 60 cm
Left-hinged
Controls at the bottom

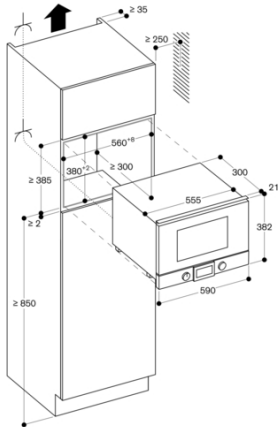
2021-09-24
 Page 2

Installation in an upper cabinet



Socket
 measurements in mm

Installation in a tall cupboard



Socket
 measurements in mm

Side view of BMP 224/225 over BOP

