



DF210500
Dishwasher 200 series
Fully integrated
Height 81.5 cm

6 programs with aqua sensor and 3 options, such as Power to reduce the cycle time and Intensive for particularly thorough cleaning in the lower basket
Flexible basket system
Bright interior lighting
Very quiet: 40 dB

Handling

TFT display indicating remaining or end time, refill for salt and rinsing agent, inflow of water.
Touch key operation.
Flexible cycle time reduction, even during an active cycle.
Personalisation function for storing individual combinations of programs.
Temporary noise reduction (only available with active Home Connect functionality).
Information key with use indications.
Time delay up to 24 hours.
Visual and acoustic end of program indicator.
Info-Light.

Technical Features

Bright interior lighting.
Glass protection.
Aqua sensor.
Load sensor.
Automatic detergent function.
hydroDry heat exchanger assists with condensation to help dry dishes
Continuous flow heater.
Triple filter system.
Soft lock.
Aqua stop.

Programs

6 programs:
Auto 35 °C - 45 °C.
Auto 45 °C - 65 °C.
Auto 65 °C - 75 °C.
Eco 45 °C.
Quick wash 45 °C (29 min.).
Personalisation function (default setting: Pre-rinse).
3 options:
Intensive.
Power.
Extra Dry.

Features

Flexible basket system.
Cutlery drawer.
Upper basket:
Over extension.
Optional extra cleaning area by activating additional spray nozzles.
Rackmatic with 3 levels, adjustable in height up to 5 cm.
6 folding spines.
4 folding racks for optimal protection of glass.
Lower basket:
8 folding spines.
2 folding racks for optimal protection of glass.
Dividable glass support.
Cutlery basket.
15 place setting capacity.

Consumption data

4 star energy rating, 5.5 stars star WELS water rating
11 l water consumption per wash.
From 0.65 kWh.
Noise level 40 dB (re 1 pW).

Planning notes

Height-adjustable feet.

Characteristics

Water consumption (l)
11.0
Built-in / Free-standing
Built-in
Height of removable worktop (mm)
0
Dimensions of the product (HxWxD)
815 x 598 x 550
Required niche size for installation (HxWxD)
815-875 x 600 x 550
Depth with open door 90 degree (mm)
1150
Adjustable feet
Yes - all from front
Maximum adjustability feet (mm)
60
Adjustable plinth
Both horizontal and vertical
Net weight (kg)
43.336
Gross weight (kg)
45.5
Connection Rating (W)
2400
Fuse protection (A)
10
Voltage (V)
220-240
Frequency (Hz)
50; 60
Length electrical supply cord (cm)
175
Plug type
AU plug
Length inlet hose (cm)
165
Length outlet hose (cm)
190
EAN code
4242006294663
Number of place settings
15
Energy efficiency rating
Energy consumption annual (kWh/ annum)
Energy consumption (kWh)
0.65
Power consumption in left-on mode (W) - NEW (2010/30/EC)
Power consumption in off-mode (W) - NEW (2010/30/EC)
Water consumption annual (l/annum)
Drying performance
Reference programme
Total cycle time of reference programme (min)
195
Noise level (dB)
40
Installation typology
Fully-integrated

Consumption and connection features

2021-08-27

Page 1

Appliance plinth recess 100 mm (see drawing).

Rear feet adjustable at front.

Door weight up to 8.5 kg.

Door panel dimension dependent on plinth height of kitchen furniture.

Connection

Total connected load 2000-2400 W.

Connecting cable pluggable.

Water connection with 3/4" screw joint.

Connection to hot or cold water possible.

Power consumption standby/network 2.0 W.

Power consumption standby/network 2.0 W.

Time auto-standby/network 2 min.

Color Variants

DF210500
Fully integrated
Height 81.5 cm

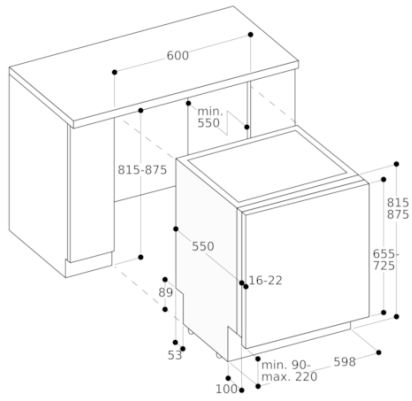
Included accessories

1 x baking tray spray head.

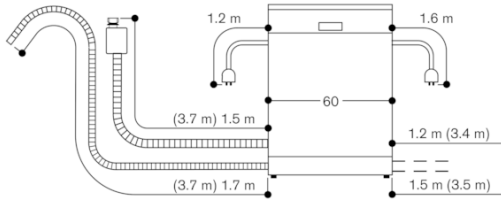
Installation Accessories

GH045010
Handle bar with 2 mounts, stainless steel, Length 45 cm, drilling distance 427 mm

81.5 cm high dishwasher



Connection dimensions for a 60 cm wide dishwasher



() values with extension kit