

Operating instructions

Heat pump tumble dryer



It is **essential** to read these operating instructions before installing and using the appliance. This prevents both personal injury and damage to the appliance.


Contents

Caring for the environment	6
Warning and Safety instructions	7
Operating the tumble dryer	18
Control panel.....	18
Operating the sensor controls.....	19
Display.....	20
Examples on how to operate the appliance.....	20
Before using for the first time	21
Downtime after installation.....	21
Removing the protective foil and stickers	21
Energy saving tips	24
Energy saving tips.....	24
EcoFeedback.....	25
1. Notes on correct laundry care	26
Points to note regarding washed laundry.....	26
Preparing the laundry before drying.....	26
Drying	27
Care label symbols.....	27
Selecting the correct drying level.....	27
2. Loading the tumble dryer	28
Loading the laundry.....	28
3. Selecting a programme	29
4. Selecting programme settings	31
Programme settings	31
Selecting a drying level with a drying programme	31
Selecting timed drying programmes and other programmes	31
Selecting Extras.....	32
◇ Delay start/SmartStart	32
5. Starting the programme	34
6. End of programme - unloading the drum	35
At the end of the programme	35
Removing the laundry	35
Programme chart	36
Programmes on the control panel	36
Further programmes.....	40

Extras	43
Gentle tumble.....	43
Freshen up.....	43
Anti-crease.....	43
Buzzer.....	43
Drying programme overview - Extras.....	44
Changing the programme sequence	45
Condensed water container	47
Emptying the condensed water container.....	47
Preparing the condensed water container for Steam care.....	48
Fragrance flacon	49
FragranceDos – 2 positions for inserting a fragrance flacon.....	49
Using a fragrance flacon.....	49
Removing the protective seal from the fragrance flacon.....	49
Inserting the fragrance flacon.....	50
Opening the fragrance flacon.....	51
Closing the fragrance flacon.....	51
Removing/replacing the fragrance flacon.....	52
Cleaning and care	53
Fluff filters.....	53
Removing the fragrance flacon.....	53
Removing visible fluff.....	53
Cleaning the fluff filters and air flow openings thoroughly.....	54
Cleaning the fluff filters with water.....	55
Cleaning the plinth filter.....	56
Removing the plinth filter.....	56
Cleaning the plinth filter.....	57
Cleaning the plinth filter panel.....	57
Checking the heat exchanger unit.....	58
Inserting the plinth filter.....	58
Cleaning the dryer.....	59
Problem solving guide	60
The display indicates the following messages or faults.....	60
Unsatisfactory drying results.....	62
The drying process takes a long time.....	63
General problems with the tumble dryer.....	64
Cleaning the fluff filter in the condensed water container.....	66
Replacing the blocked spray jet for the Steam care programme.....	67

Contents

Service	68
Contact in case of fault	68
Optional accessories.....	68
Warranty	68
Installation and connection	69
Front view	69
Rear view.....	70
Transporting the tumble dryer	71
Transporting the tumble dryer to its installation site	71
Installation	72
Levelling the dryer	72
Downtime after installation.....	72
Ventilation.....	72
Before moving the tumble dryer again (e.g. when moving house).....	73
Additional installation requirements	73
Externally draining condensed water	74
Installation conditions requiring a non-return valve	74
Arranging the drain hose	75
Examples: Draining condensed water.....	75
Electrical connection	78
Technical data	79
Consumption data	80

Settings	81
Calling up settings.....	81
Language 	82
Drying levels	82
Cooling down temperature.....	82
Welcome tone	82
Keypad tone	83
Buzzer volume.....	83
Airways indicator	83
Conductivity	84
Consumption.....	84
Code.....	85
Brightness	85
Display.....	85
Buttons active	85
Buttons inactive.....	85
Display switch-off status	86
Memory	86
Anti-crease	86
Programme info	87
Miele@home	87
Remote control.....	88
SmartGrid	88
RemoteUpdate	89
Running a RemoteUpdate.....	89

Caring for the environment

Disposal of the packing material

The packaging is designed to protect the appliance from damage during transportation. The packaging materials used are selected from materials which are environmentally friendly for disposal and should be recycled.

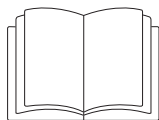
Recycling the packaging reduces the use of raw materials in the manufacturing process and also reduces the amount of waste in landfill sites. Ensure that any plastic wrappings, bags etc. are disposed of safely and kept out of the reach of babies and young children. Danger of suffocation.

Disposing of your old appliance

Electrical and electronic appliances often contain valuable materials. They also contain specific materials, compounds and components, which were essential for their correct function and safety. These could be hazardous to human health and to the environment if disposed of with your domestic waste or if handled incorrectly. Please do not, therefore, dispose of your old appliance with your household waste.



Please dispose of it at your local community waste collection / recycling centre for electrical and electronic appliances. You are also responsible for deleting any personal data that may be stored on the appliance prior to disposal. Please ensure that your old appliance poses no risk to children while being stored prior to disposal.



- ▶ It is essential to read these instructions.

This tumble dryer complies with current local and national safety requirements. Inappropriate use can, however, lead to personal injury and damage to property.

To avoid the risk of accidents and damage to the tumble dryer, please read these instructions carefully before using it for the first time. They contain important information on its safety, installation, use and maintenance.

Keep these instructions in a safe place and ensure that new users are familiar with the content. Pass them on to any future owner.

Correct application

- ▶ This tumble dryer is designed for domestic use and for use in similar environments by guests in hotel or motel rooms, bed & breakfasts and other typical living quarters. This does not include common/shared facilities or commercial facilities within hotels, motels or bed & breakfasts.
 - ▶ This tumble dryer is not suitable for outdoor use.
 - ▶ It must only be used to dry items which have been washed in a water solution and which are marked on the manufacturer's care label as being suitable for tumble drying. If using dry cleaning kits, do so at your own risk, and follow the instructions provided on the packaging.
- Any other applications may be dangerous. Miele cannot be held liable for damage resulting from incorrect or improper use or operation.

Warning and Safety instructions

▶ This appliance is not intended for use by persons (including children) with reduced physical, sensory or mental capabilities, or lack of experience or knowledge, unless they are supervised whilst using it or have been shown how to use it by a person responsible for their safety.

Safety with children

- ▶ Young children must not be allowed to use this appliance.
- ▶ Older children may only use the appliance when its operation has been clearly explained to them and they are able to use it safely, recognising the dangers of misuse.
- ▶ Children must not be allowed to clean or maintain the tumble dryer unsupervised.
- ▶ Please supervise children in the vicinity of the tumble dryer and do not let them play with it.

Technical safety

▶ Before setting up the tumble dryer, check it for any externally visible damage.

Do not install or use a damaged tumble dryer.

▶ Before connecting the tumble dryer, ensure that the connection data on the data plate (fuse rating, voltage and frequency) matches the mains electricity supply. If in any doubt, consult a qualified electrician.

▶ The electrical safety of this tumble dryer can only be guaranteed when correctly earthed. It is essential that this standard safety requirement is met. If in any doubt, please have the household wiring system tested by a qualified electrician. Miele cannot be held liable for the consequences of an inadequate earthing system (e.g. electric shock).

▶ Reliable and safe operation of this tumble dryer can only be assured if it has been connected to the mains electricity supply.

▶ Do not connect the tumble dryer to the mains electricity supply by an extension lead. Extension leads do not guarantee the required safety of the appliance (e.g. danger of overheating).

▶ If the connection cable is faulty, it must only be replaced by a Miele approved service technician to protect the user from danger.

▶ Unauthorised repairs could result in unforeseen dangers for the user, for which Miele cannot accept liability. Repairs should only be undertaken by a Miele authorised service technician, otherwise any subsequent damage will not be covered by the warranty.

▶ Faulty components must only be replaced by genuine Miele spare parts. Miele can only guarantee the safety of the appliance when Miele replacement parts are used.

Warning and Safety instructions

- ▶ In the event of a fault or for cleaning purposes, the tumble dryer is only completely isolated from the electricity supply when:
 - it is switched off at the wall socket and the plug is withdrawn, or
 - it is switched off at the mains circuit breaker.
- ▶ This tumble dryer must not be installed and operated in mobile installations (e.g. on a ship).
- ▶ Do not make any alterations to the tumble dryer, unless authorised to do so by Miele.
- ▶ Heat pump technology and refrigerant:

The heat pump in this tumble dryer uses a refrigerant which is condensed by the compressor and led in a closed circuit through the heat exchanger unit where heat exchange with the circulating drying air takes place.

 - The humming noises caused by the heat pump are normal and do not impair the efficient functioning of the dryer.
 - The refrigerant is not flammable or explosive.
 - In general it is not necessary to leave the dryer standing for any length of time before it is connected to the mains provided it has been transported and installed correctly.

Warning and Safety instructions

- ▶ Please observe the instructions in “Installation and connection” and “Technical data”.
- ▶ The accessibility of the plug must be always ensured in order to separate the tumble dryer from the mains.
- ▶ Do not block the gap between the bottom of the tumble dryer and the floor with plinth facings, deep pile carpet etc. This would hinder a sufficient flow of air to the tumble dryer.
- ▶ Make sure the dryer door can be opened without hindrance after installation.

Warning and Safety instructions


Correct use



READ THE INSTRUCTIONS

 Warning: Risk of fire / Flammable materials.

To avoid the possible danger of fire, please read these warnings carefully.

 A clogged filter is a fire hazard!
The fluff filter must be cleaned after every programme.

- ▶ The maximum load for this tumble dryer is 9.0 kg (dry weight). See the “Programme chart” for the maximum recommended loads for individual programmes.
- ▶ To prevent the risk of fire, do not connect the tumble dryer via a controllable socket (e.g. a timer or a peak-load switch-off device). If the drying programme is interrupted before the end of the cooling down phase, this could cause the laundry to self-ignite.

Warning and Safety instructions

- To prevent the risk of fire, the following textiles must not be dried in this tumble dryer:
- Items which have not been washed.
 - Items which have been cleaned using chemicals (e.g. professional dry-cleaning agents).
 - Items, such as workwear, which have not been thoroughly cleaned and which are still soiled with grease, oil or other desposits (such as cosmetics, lotions etc). If items have not been thoroughly cleaned, there is a danger that these might ignite when heated, even after they have been removed from the dryer at the end of the programme.
 - Items that have been soiled with substances such as cooking oil, acetone, petrol, kerosene, spot removers, turpentine, waxes, wax removers and other chemicals (e.g. mops and floor cloths).
 - Items which have been splashed with hair lacquer, hair spray, nail varnish remover or similar substances.
 - Fabrics which contain a large proportion of rubber, foam rubber or rubber-like materials. For example, products made from latex foam rubber, shower caps, waterproof textiles, rubberised articles and items of clothing and pillows with foam rubber filling.
 - Damaged fabrics which contain padding or fillings (e.g. pillows, jackets). When damaged, the filling can get out with the risk of it igniting in the dryer.

When washing such heavily soiled items ensure that you use sufficient detergent and select a high temperature. If in doubt, wash the items several times.

Warning and Safety instructions

▶ Oil-affected items can ignite spontaneously, especially when exposed to heat sources such as in a tumble dryer.

The items become warm, causing an oxidation reaction in the oil. Oxidation creates heat.

If the heat cannot escape, the items can become hot enough to catch fire. Piling, stacking or storing oil-affected items can prevent heat from escaping and so create a fire hazard.

If it is unavoidable that fabrics contaminated with vegetable or cooking oil, or hair care products, be placed in a tumble dryer, they should first be washed in hot water with extra detergent - this will reduce, but not eliminate, the hazard.

▶ Remove all items from pockets (e.g. lighters, matches).

▶ **Warning:** Ensure that you always wait until the end of the programme before removing the laundry. If the drying programme is stopped prematurely, remove the laundry immediately and hang it up or spread it out to cool it down.

▶ Fabric softener and similar products must be used according to the instructions on the manufacturer's packaging.

▶ In many programmes, the heating phase is followed by a cooling down phase to ensure that the items are not too hot to handle when you remove them (this also avoids the danger of the laundry self-igniting). The programme is not finished until the cooling down phase has been completed.

As soon as the programme has finished, remove all laundry from the drum.

▶ Do not let anyone sit or lean on the door, as this can cause the tumble dryer to tip up.

▶ Always close the door after use. This way you will avoid the danger of:

- children climbing onto or into the dryer or hiding things in it.
- pets or other small animals climbing into it.

Warning and Safety instructions

- ▶ The tumble dryer must not be used without or
 - with damaged fluff filters.
 - with a damaged plinth filter.

This would cause an excessive build-up of fluff which in turn would cause a fault.

- ▶ The fluff filters must be cleaned after every drying cycle. Fluff must not be allowed to accumulate around the tumble dryer.
- ▶ The fluff filters and the plinth filter must be thoroughly dried after cleaning. Do not replace them if they are damp or wet. Damp or wet filters could cause operational faults.
- ▶ Do not install the tumble dryer in a room where there is a risk of frost occurring. At temperatures around freezing point the tumble dryer may not be able to operate properly. There is a risk of damage if the condensed water is allowed to freeze in the pump and hoses.
- ▶ If the water is drained externally through the drain hose instead of being collected in the condensed water container, make sure the drain hose is securely attached if you hang it in a sink or basin to avoid the hose slipping and the water causing damage.
- ▶ Condensed water is not drinking water. It can cause health problems in both people and animals.
- ▶ Always keep the area around the tumble dryer free of dust and fluff. Dust drawn into the tumble dryer can cause blockages in the heat exchanger over time.
- ▶ The tumble dryer must not be hosed down.


Warning and Safety instructions

Using a fragrance flacon (optional accessory)

- ▶ Only use genuine Miele original fragrance flacons.
- ▶ The fragrance flacon must be stored in its packaging so please make sure you retain this.
- ▶ Caution. The fragrance can run out of the flacon. Make sure that you always keep the flacon, or the fluff filter with the flacon inserted in it, in a horizontal position when carrying and do not tip it or place it down on any surface.
- ▶ Use an absorbent cloth immediately to wipe up any fragrance which has run out of the flacon onto the floor, the dryer or any dryer components (e.g. the fluff filter).
- ▶ If fragrance which has run out of a flacon should come in contact with the **skin** - wash the skin thoroughly with soap and water; come in contact with the **eyes** - rinse the eyes with clean water for at least 15 minutes; be swallowed - rinse out the **mouth** thoroughly with clean water. Seek medical advice in the case of contact with the eyes or if fragrance has been swallowed.
- ▶ If fragrance which has run out of a flacon comes in contact with clothing, change the clothing immediately. Wash the clothing or any cloths used for mopping up fragrance thoroughly with plenty of water and detergent.
- ▶ There is the risk of fire or damage to the tumble dryer if the following instructions are not observed:
 - Never refill a flacon with fragrance.
 - Never use a faulty fragrance flacon.
- ▶ Dispose of an empty fragrance flacon with the household waste and never use it for any other purpose.
- ▶ Please also observe the information supplied with the fragrance flacon.

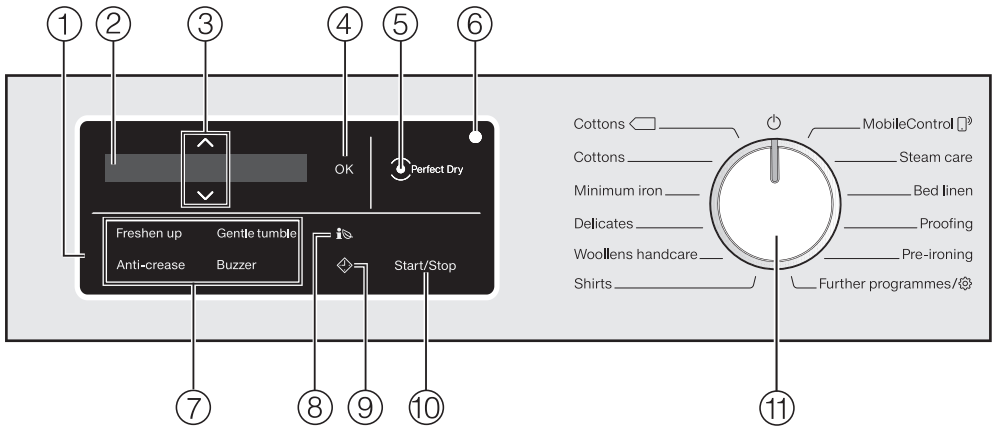
Accessories

- ▶ Only use genuine Miele spare parts and accessories with this appliance. If spare parts or accessories from other manufacturers are used, this will invalidate the warranty, and Miele cannot accept liability.
- ▶ A Miele tumble dryer can be stacked on top of a Miele washing machine using the appropriate stacking kit (available as an optional accessory). Please make sure you order the correct one for the Miele washing machine and Miele tumble dryer.

 Miele cannot be held liable for damage caused by non-compliance with these Warning and Safety instructions.

Operating the tumble dryer

Control panel



① Control panel

The control panel consists of a display and various sensor controls. The individual sensors are explained in the following.

② Display

The following values are shown in the display and/or selected from it:

1. The programme names, the drying level and the duration of the selected programme.
2. The individual values of the selection lists for settings.

③ Sensor controls $\wedge \vee$

Values shown in the display can be changed with the $\wedge \vee$ sensors. The \wedge sensor increases the value or moves the selection list up; the \vee sensor decreases the value or moves the selection list down.

④ OK sensor

Confirm selected values with the OK sensor.

⑤ Perfect Dry \odot indicator

With programmes with a selectable drying level, the Perfect Dry system calculates the residual moisture present in the laundry to ensure a precise drying result.

The *Perfect Dry* indicator . . .

. . . flashes after the programme has started and goes out when the programme duration appears in the display.

. . . lights up when the selected drying level is reached near the end of the programme.

. . . remains dark with the following programmes: *Woollens handcare*, *Silks handcare*, *Cool air*, *Warm air*, *Basket programme*.


⑥ Optical interface

For service technicians.


⑦ Sensor controls for Extras

You can select extra options to augment the drying programmes. When a drying programme is selected, the sensor controls for the possible Extras light up dimly.

⑧ Sensor

You can use the  sensor to call up an energy consumption forecast for the selected drying programme. See “Washing environmentally and economically - EcoFeedback” for more information.


⑨ Sensor controls

The  sensor starts the Delay start function. With Delay start you can delay the start of a programme. The start of the programme can be delayed from 15 minutes up to a maximum of 24 hours. This allows you to make use of night-time economy electricity rates, for example. Further information can be found in chapter 4 - Selecting programme settings.

⑩ Start/Stop sensor

Touching the *Start/Stop* sensor starts the selected programme or cancels a programme that has already started. The sensor flashes slowly as soon as it is possible for a programme to be started and then lights up constantly after the programme has started.

⑪ Programme selector

For selecting programmes and for switching off the appliance. The dryer is switched on by selecting a programme, and switched off by turning the programme selector to the  position.

Operating the sensor controls

The sensor controls react to fingertip contact. Selection is possible as long as the respective sensor is illuminated.

If a sensor is brightly lit, this means:
currently selected

If a sensor is dimly lit, this means:
selection possible

Operating the tumble dryer

Display

The standard display shows the following for a drying programme:




- The selected drying level and the expected programme duration.
- After the programme has started, the drying level reached and the remaining programme duration.

The standard display shows only the programme duration for a time-controlled programme:



Examples on how to operate the appliance

Scrolling through a list

The  scroll bar in the display indicates that a list of choices is available.



Touching the ∇ sensor scrolls down the list to the next option and touching the \blacktriangle sensor scrolls up the list to the next option. The *OK* sensor is used to activate the option shown in the display.

Identifying the selected option



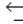
An activated option in a list will have a tick ✓ next to it.

Setting numerical values




The numerical value is highlighted in white. Touching the ∇ sensor decreases the value. Touching the \blacktriangle sensor increases the value. The *OK* sensor is used to activate the value shown in the display.

Exiting a submenu

Select *Back*  to exit the submenu.

Downtime after installation

 Damage to the tumble dryer by switching it on too soon. This can damage the heat pump. After setting up the tumble dryer, wait for at least one hour before switching it on.

Removing the protective foil and stickers

- Remove:
 - the protective foil from the door
 - any stickers from the front and the lid



Please do not remove any labels (e.g. the data plate) which are visible when you open the door.

Switching on the tumble dryer

- Turn the programme selector to the *Cottons* programme.

The welcome tone will sound and the welcome screen will light up.

Setting the language

You will be asked to select the language you require for the display. It is possible to change the language at any time by turning the programme selector to the *Further programmes*/ position and then selecting the *Settings*  submenu.



- Touch the ∇/Δ sensor until the language you want appears in the display.
- Confirm your selection of the language by touching the *OK* sensor.

Before using for the first time

Setting up Miele@home

Your tumble dryer is equipped with an integrated Wi-Fi module. The tumble dryer can be connected to the household Wi-Fi network.

You will then be able to operate the tumble dryer via the Miele@mobile App.

The following message appears in the display:

i Miele@home

- Touch the OK sensor.



- To set up Miele@home now:
Touch the OK sensor.
- To postpone setup until later:
Touch the ∨ sensor until Set up later appears in the display and press OK to confirm.
- Select the required connection type from the display.

1. Connect via WPS
2. Connect via App

Before installing the tumble dryer in its final location, ensure the signal strength of your Wi-Fi network is sufficient.

Miele@mobile App

You can download the Miele@mobile App from the Apple App Store® or the Google Play Store™ free of charge (only functional in selected countries).



Connecting via WPS

Your Wi-Fi router must support WPS (Wi-Fi Protected Setup).

- Follow the instructions in the display.

If the connection fails, you have probably not connected WPS on your router quickly enough. Repeat the steps above.

Useful tip: If your Wi-Fi router does not support WPS, please connect via the Miele@mobile App.

Before using for the first time

Connecting via the App

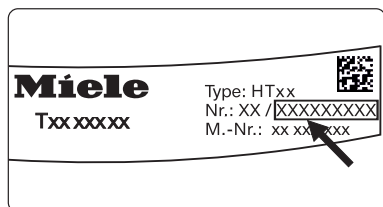
The Miele@mobile App can be used to connect to your network.

- Install the Miele@mobile App on your mobile device.
- Follow the instructions in the app.

To log in you will need:

1. Your Wi-Fi network password
2. The password for your tumble dryer

The password for your tumble dryer consists of the last nine digits of the serial number. This can be found on the appliance's data plate.



If the connection is successful, the following will appear in the display:



- Confirm with the OK sensor.

Continuing setup

- Confirm with the OK sensor.
- Refer to chapter 1. Notes on correct laundry care
- You can then select a programme and load the tumble dryer as described in chapters 2. Loading the tumble dryer and 3. Selecting a programme.

The procedure for using for the first time is completed when a programme lasting longer than one hour has been carried out in full.

Energy saving tips

Energy saving tips


This dryer with heat-pump technology is designed for energy-saving drying cycles. You can save even more energy with the following measures, because the drying time is not extended unnecessarily.

- Make sure your laundry is spun at the maximum spin speed before drying. The higher the spin speed, the greater the savings that can be made in energy and time during drying, e.g. approx. 20 % energy can be saved if spinning laundry at 1600 rpm instead of 1000 rpm.
- Use the maximum load quantity for the drying programme being used. This will mean that the energy consumption for the amount of laundry is the most economical.
- Make sure that the room temperature is not too high. If there are other heat producing appliances in the room in which the dryer is located, make sure the room is well ventilated and switch the other appliances off, if possible.
- Clean the fluff filters in the door opening after every drying cycle.

Please refer to “Cleaning and care” for information on cleaning the fluff filters and the plinth filter.

- If possible, make use of time-variable, low-cost electricity tariffs. Ask your energy supplier for information. Your tumble dryer's Timer function will be useful as you can select when during the next 24 hours you want drying to start automatically.


EcoFeedback

You can view information about the energy consumption of your tumble dryer with the  sensor.

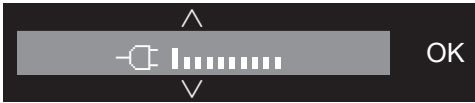
The following information will appear in the display:

- An estimate of the energy consumption before the programme ends.
- The actual energy consumption during the programme or at the end of the programme.

1. Estimate

- After selecting a drying programme, touch the  sensor.

The estimated energy consumption will be displayed as a bar chart.



The more bars (|) are visible, the higher the energy consumption.

The estimate will vary depending on the drying programme, the drying level and any Extras selected.

- Touch the **OK** sensor or wait until the display automatically returns to the standard display.

2. Actual consumption


You can view the actual energy consumption during the programme or at the end of the programme.

- Touch the  sensor.



The consumption will alter as the programme progresses.


It is also possible to view the level of soiling in the filters as a percentage at the end of the programme before opening the door.

- Touch the  sensor to switch to the Filter display.

0 % = lightly soiled, 50 % = moderately soiled, 100 % = heavily soiled.

With increased soiling, the programme duration is extended, which increases energy consumption.

If the door is opened or the appliance has switched off automatically at the end of the programme, the data will revert to the estimated consumption.


Useful tip: You can view the consumption data for the last drying programme in **Settings**  under **Consumption**.

1. Notes on correct laundry care

Points to note regarding washed laundry


- When washing very heavily soiled items, ensure that you use sufficient detergent and select a high temperature. If in doubt, wash the items several times.
- Do not put soaking wet items into the tumble dryer. Make sure your laundry is thoroughly spun before drying. The higher the spin speed, the greater the savings that can be made in energy and time during drying.
- New dark coloured garments should be washed and dried separately from light coloured garments to avoid the risk of colours running and discolouring other garments or even plastic components in the dryer. Dark coloured fibres can also settle on light coloured garments and vice versa.
- Starched laundry can be dried in the tumble dryer. To achieve the usual finish, double the amount of starch should be used.

Preparing the laundry before drying

 Damage due to foreign objects which were not removed from the laundry.

Foreign objects can melt, burn, or explode.

Ensure that any foreign objects, e.g. detergent dispensing balls, lighters, etc. have been removed from the laundry.

 Risk of fire due to incorrect use and operation.

The laundry can burn and destroy the dryer and the surroundings.

See “Warning and Safety instructions” for further information.

- Sort the laundry according to the type of fibre and weave, size, garment care label symbol and the drying level required.
- Check seams and stitching to ensure that padding and linings are intact. This way you will avoid the danger of fillings coming out. These could catch fire when being dried.
- Untangle the laundry.
- Tie together textile belts and apron ties.
- Fasten duvet covers and pillow cases to prevent small items from being rolled up inside them.
- Fasten hooks and eyes.
- Leave jackets open and undo any long zips so that textiles dry evenly.
- Sew in or remove loosened underwiring from bras.
- Reduce the size of the load. Minimum iron fabric tends to crease more the larger the load. This is particularly the case for garments made from very fine weave fabric, such as shirts or blouses.




1. Notes on correct laundry care





Drying

Useful tip: See the “Programme chart”. It lists all programmes and their maximum load.

- Always observe the maximum recommended load for each programme. This will mean that the energy consumption for the amount of laundry is the most economical.
- Down-filled garments have linings which have a tendency to shrink, depending on the quality of the item. Only use the *Pre-ironing* programme for these textiles.
- Pure linen should only be tumble dried if it is specified as suitable on the care label. The surface of the fabric may otherwise become rough. Only use the *Pre-ironing* programme for these textiles.
- Woollens and wool blends are susceptible to becoming matted or shrinking. Only use the *Woollens handcare* programme for these textiles.
- Loopknit garments (e.g. T-Shirts, underwear) have a tendency to shrink after the first wash. Do not overdry these fabrics to prevent further shrinking. When buying loopknit garments, it is advisable to take their shrinkage potential into account.
- With fabrics that are particularly heat-sensitive or susceptible to creasing, reduce the drying load and select *Gentle tumble*.

Care label symbols

Drying	
	Normal/higher temperature
	Reduced temperature*
	* Select <i>Gentle tumble</i>
	Do not tumble dry

Ironing			
	Very hot		Hot
	Warm		Do not iron

Selecting the correct drying level

- *Extra dry* for hard wearing and thicker fabrics.
- *Normal plus* if you want to fold the laundry after drying and put it away.
- *Normal* for textiles that can shrink, such as light cotton or jersey textiles.
- *Slightly dry* for particularly delicate garments that you wish to line dry afterwards.
- *Hand iron* $\Delta/\Delta\Delta$ or *Machine iron* if you want to iron the laundry after drying.

2. Loading the tumble dryer

Loading the laundry

Textiles may be damaged.
Before loading the dryer, read “1. Notes on correct laundry care.”



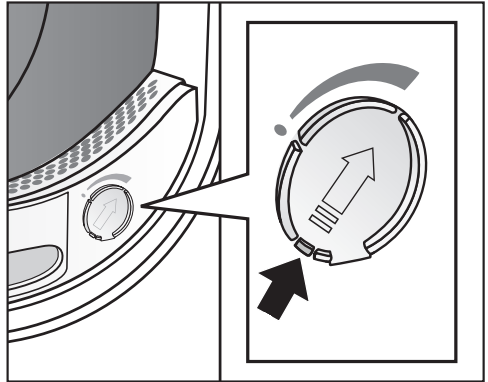
- Unfold the laundry and load loosely into the drum.

Do not overload the drum.
Overloading can cause unnecessary wear and tear to the laundry and give a disappointing drying result. It can also cause more creasing.

When closing the door, make sure that laundry does not get trapped in the door opening.
This can result in damage to the laundry.

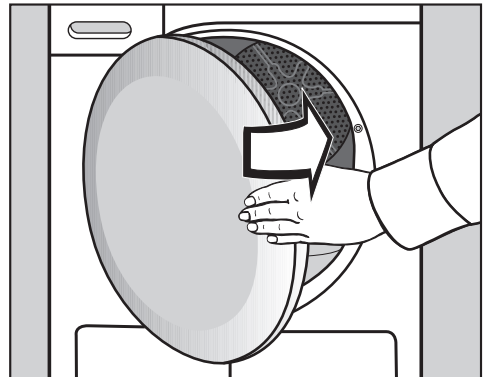
Two positions for inserting a fragrance flacon

See the section “Fragrance flacon” for information on how to use fragrance flacons.



If you are not using a fragrance flacon:
push the tab down completely (see arrow) so that the socket is closed.
Otherwise, lint will accumulate here.


Closing the door



- Shut the door with a gentle swing.

3. Selecting a programme

Switching on the tumble dryer

The dryer is switched on by selecting a programme, and switched off by turning the programme selector to the  position.

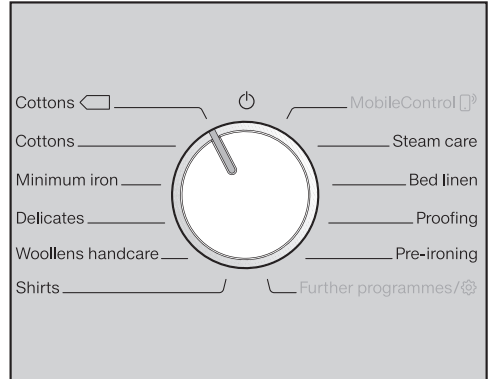
- Turn the programme selector to a programme.

When a programme is selected, the programme name and the maximum load (weight of dry laundry) possible for the programme will appear in the display for a few seconds.

Selecting a programme

There are three possible ways to select a programme:

1. Selecting standard programmes with the programme selector

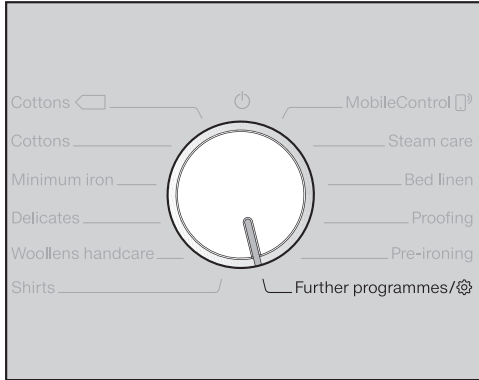


- Turn the programme selector to the required programme.

The selected programme will appear in the display. This will then be replaced by the standard display.

3. Selecting a programme

2. Selecting programmes via the “Further programmes/⚙️” setting and the display:



- Turn the programme selector.

You can select the programme you want via the display.


- Touch the ^/v sensors until the programme you want appears in the display.

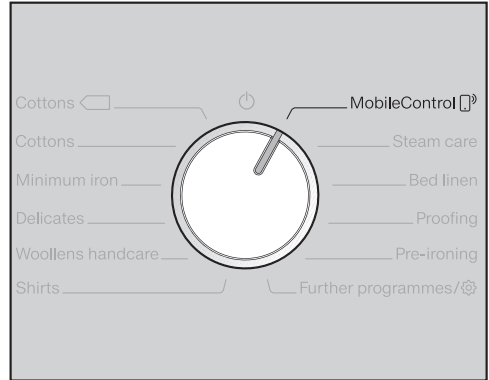


- Confirm the programme with the OK sensor.

The selected programme will appear in the display. This will then be replaced by the standard display.

3. Selecting programmes via the MobileControl programme selector position and the Miele@mobile App

Useful tip: In order to use MobileControl , the dryer must be logged on to the Wi-Fi network and Remote control must be switched on.



- Turn the programme selector.
- Follow the instructions in the display.
- Touch the *Start/Stop* sensor.

The dryer can now be operated via a mobile device together with the Miele@mobile App.

4. Selecting programme settings

Programme settings

Selecting a drying level with a drying programme

Cottons, Minimum iron, Delicates, Pre-ironing, Shirts, Express, Denim, Outerwear, Sportswear, Steam care, Bed linen, Automatic plus

The pre-set drying level for the programme can be changed if required.



- Touch the \wedge or \vee sensors to select a drying level.

Any drying level can be selected for the *Cottons*, *Express*, and *Bed linen* programmes. A limited range is available with the other programmes.

When selecting the *Steam care* programme, you must make sure that the condensed water container has been filled as described in these operating instructions (see “Condensed water container”).

Selecting timed drying programmes and other programmes

Warm air, Cool air, Basket programme

You can change the duration in 10 minute increments.


Cool air: 20 min.–1:00 h.

Warm air: 20 min.–2:00 h.

Basket programme: 40 min.–2:30 h.



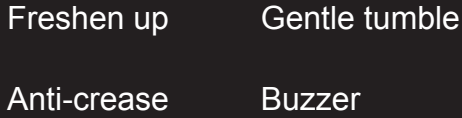
- Touch the \wedge or \vee sensor controls to select a duration.

Cottons , Woollens handcare, Pillows, Proofing, Silks handcare

The drying level is preset by the dryer and cannot be altered.

4. Selecting programme settings

Selecting Extras



Freshen up Gentle tumble
Anti-crease Buzzer

- Touch a sensor control to select the desired Extra.

The relevant sensor control will light up brightly.

Freshen up and Gentle tumble cannot be combined, see “Extras” for further information.

Delay start/SmartStart

Delay start

With Delay start you can delay the start of a programme.


This function is active when the SmartGrid is switched off.

The hours can be set from 00 to 24.
The minutes can be set in 15 minute increments from 00 to 45.

Setting the Delay start time

- Touch the  sensor.

The following will appear in the display:



Start in 00:00 h OK

- Set the hours with the ∇/\wedge sensors. Confirm with the OK sensor.

The display will change:




Start in 06:45 h OK

- Set the minutes with the ∇/\wedge sensors. Confirm with the OK sensor.

Useful tip: The values will count upwards and downwards automatically if you keep your finger on the ∇ or \wedge sensor control.

Altering Delay start

The selected Delay start time can be changed before the programme starts.

- Touch the  sensor.
- Change the specified time and confirm with the OK sensor.

Cancelling Delay start

The selected Delay start time can be cancelled before the programme starts.

- Touch the  sensor.

The selected Delay start time will appear in the display.

- Set a time value of 00:00 h with the ∇/\wedge sensors. Confirm with the OK sensor.

4. Selecting programme settings

The selected Delay start time has been cancelled.

After the programme has started, the selected Delay start time can only be changed or cancelled by interrupting the programme.


SmartStart

The SmartStart function (only functional in selected countries) lets you define a time period during which your tumble dryer will start automatically. The machine will start on receipt of a signal, e.g. from your energy supplier, that indicates that the electricity rate is particularly economical.

This function is active when the SmartGrid setting is switched on.

The timeframe can be defined between 15 minutes and 24 hours. During this period, the tumble dryer waits for the signal from the energy supplier. If no signal is sent during the defined period, the tumble dryer starts the drying programme.

Setting the timeframe

If you have activated the SmartGrid function in Settings, SmartStart instead of Start will appear in the display when you touch the  sensor (see “Settings – SmartGrid”).

The procedure for setting this is the same as for setting the time for Delay start.

- Use the \vee/\wedge sensors to enter the hours and confirm your entry with the OK sensor.

The hours will be saved and the minute number block will be highlighted.

- Use the \vee/\wedge sensors to enter the minutes and confirm your entry with the OK sensor.

- Press the *Start/Stop* sensor to start the drying programme with SmartStart.

The following will appear in the display:



5. Starting the programme

Starting a programme

- Touch the flashing *Start/Stop* sensor.

The *Start/Stop* sensor will light up and *Drying* appears in the display.

Notes

If a Delay start time has been selected, it will count down in the time display. At the end of the Delay start time or immediately after the programme has started (if no Delay start time has been selected), the programme duration will appear in the time display.

With a longer Delay start time, the drum will rotate occasionally to untangle the laundry. This is not a fault.

- The *Perfect Dry* indicator will only flash/light up with programmes with selectable drying levels (see also “Operating the tumble dryer”).
- The dryer measures the residual moisture of the laundry and calculates the required programme duration.
If a small load or dry laundry is placed in the dryer, it is dried/aired for a preset duration. In this case the *Perfect Dry* indicator does not light up at the end of the programme.

Laundry items and fabrics can wear out unnecessarily.
Avoid over-drying laundry and garments.

The drying level reached for the selected drying programme will light up in the display.

You can view the selected drying level or time again:

- Touch the \wedge or \vee sensor.
 - Before the programme finishes, the laundry is cooled.

Energy savings

After 10 minutes, the indicators dim and the *Start/Stop* sensor starts flashing.

- Touch the *Start/Stop* sensor to switch the indicators on again (this does not have any effect on a running programme).

The drum lighting switches off once the programme has started.

6. End of programme - unloading the drum

At the end of the programme

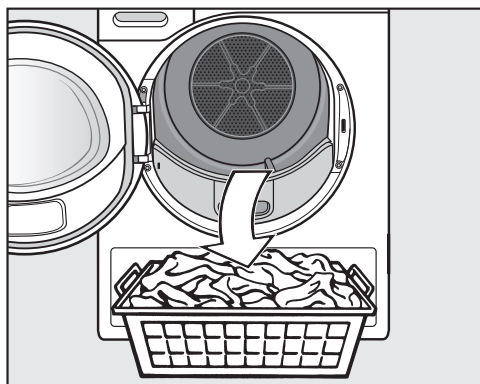
The programme is finished when *Finish/* *Anti-crease* or *Finished* appears in the display. The *Start/Stop* sensor light goes out.

The dryer will switch off automatically 15 minutes after the end of the *Anti-crease* phase (or 15 minutes after the programme with programmes without an *Anti-crease* phase).

Removing the laundry

Only open the door when the drying process has finished. Otherwise, the laundry will not be properly dried and cooled down.


- Reach under the door grip and pull the door open.



- Remove the laundry.


Always remove all items from the drum.

Items left in the dryer could be damaged by overdrying when the dryer is used the next time.

- Turn the programme selector to the  position.

- Remove the fluff from the 2 fluff filters in the door opening (see “Cleaning and care - Fluff filters”).
- Shut the door with a gentle swing.
- Empty the condensed water container.

Useful tip: The condensed water can be used for the *Steam care* programme. See “Condensed water container - Preparing the condensed water container for *Steam care*”.

We recommend that you drain the condensed water externally through the drain hose when drying a full load using the *Cottons* and *Cottons*  programmes. This will avoid having to empty the condensed water container during the programme.


Drum lighting

The lighting helps to ensure that all items are removed from the drum. The drum lighting will go out automatically to save energy.



Programme chart

All weights marked with * are based on the weight of dry laundry.

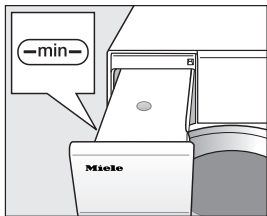
Programmes on the control panel

Cottons 		Max. load 9.0 kg*
Items	Cotton items such as those described under <i>Cottons Normal</i> with normal residual moisture.	
Notes	Items are dried to a <i>Normal</i> level only.	
Cottons		Max. load 9.0 kg*
Extra dry, Normal plus, Normal, Slightly dry		
Items	Single and multi-layered cotton fabrics. For example: towelling, jerseywear, T-shirts, underwear, baby clothes, workwear, covers, jackets, bathrobes, and flannelette bed linen.	
Notes	<ul style="list-style-type: none"> – Select <i>Extra dry</i> for multi-layered and very thick fabrics. – Do not use <i>Extra dry</i> for jersey fabric (e.g. T-shirts, underwear), as they have a tendency to shrink. 	
Hand iron Δ, Hand iron $\Delta\Delta$, Machine iron		
Items	Cotton or linen fabric requiring further processing. For example: table linen, bed linen, or starched laundry.	
Notes	Roll up laundry that you want to machine iron to prevent it from drying out, until you are ready for ironing.	

Programme chart

Minimum iron		Max. load 4.0 kg*
Normal plus, Normal, Slightly dry, Hand iron Δ, Hand iron $\Delta\Delta$		
Items	Minimum iron items made of cotton, synthetic, or mixed fibre. For example: tops, dresses, shirts, skirts, trousers, workwear, aprons, pullovers, leggings, and table linen.	
Delicates		Max. load 2.5 kg*
Normal plus, Normal, Slightly dry, Hand iron Δ, Hand iron $\Delta\Delta$		
Items	Delicate items with the  symbol on the care label made of synthetic fibre, mixed fibre, rayon, and easy care cotton. For example: shirts, blouses, lingerie, and appliquéd garments.	
Notes	The load should be reduced further for a particularly crease-free drying result.	
Woollens handcare		Max. load 2.0 kg*
Items	Woollen garments and fabric containing wool blends, e.g. pullovers, cardigans, stockings.	
Notes	<ul style="list-style-type: none"> – Wool and wool blend items are only fluffed up; they are not dried completely. – Remove garments as soon as the programme has finished. 	
Shirts		Max. load 2.0 kg*
Normal plus, Normal, Slightly dry, Hand iron Δ, Hand iron $\Delta\Delta$		
Items	Shirts and blouses.	
MobileControl 		
The Miele@mobile App is used for selecting programmes and operating the machine.		

Programme chart

Steam care		Max. load 1.0 kg*
Normal, Hand iron δ		
Items	<ul style="list-style-type: none"> – Cotton and linen fabric. – Minimum iron items made of cotton, synthetic or mixed fibre. For example: cotton trousers, jackets, anoraks, and shirts. 	
Notes	<ul style="list-style-type: none"> – For dampening items before ironing. – For smoothing items that are creased. – Select <i>Hand iron</i> if the items are to be ironed after drying. 	
Notes	<ul style="list-style-type: none"> – At the beginning of the programme, the condensed water collected in the condensed water container is sprayed into the drum via a spray jet. The condensed water container must therefore be filled with water to at least the –min– marker. 	
		
	<ul style="list-style-type: none"> – You may hear a humming noise when the water is sprayed into the drum. 	
Bed linen		Max. load 4.0 kg*
Extra dry, Normal plus, Normal, Slightly dry, Hand iron δ, Hand iron $\delta\delta$, Machine iron		
Items	Bed linen, pillow cases.	

Programme chart

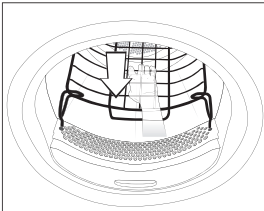
Proofing		Max. load 2.5 kg*
Items	Microfibre fabric, skiwear, outerwear, fine close weave cotton garments (poplin), or tablecloths which are suitable for drying in a tumble dryer and have been treated to provide a water and dirt-resistant finish.	
Notes	<ul style="list-style-type: none"> – Items are dried to a <i>Normal</i> level only. – This programme includes a proofing fixing phase. – Only use proofing agents which are stated by the manufacturer as being “suitable for use on membrane textiles”. These agents contain fluorochemical compounds. – Do not dry items which have been treated with proofing agents containing paraffin. Fire hazard! 	
Pre-ironing		Max. load 1.0 kg*
Normal, Hand iron δ		
Items	<ul style="list-style-type: none"> – Cotton and linen fabrics. – Minimum iron items made of cotton, synthetic or mixed fibre. For example: cotton trousers, jackets, anoraks, and shirts. 	
Notes	<ul style="list-style-type: none"> – This programme smoothes out creasing caused during the spin cycle in the washing machine. – This programme is also suitable for dry fabrics. – Please remove the garments as soon as the programme has finished. 	

Programme chart

Further programmes

Denim		Max. load 3.0 kg*
Normal plus, Normal, Slightly dry, Hand iron Δ, Hand iron $\Delta\Delta$		
Items	Denim garments, e.g. jackets, jeans, shirts, and skirts.	
Warm air		Max. load 9.0 kg*
Items	<ul style="list-style-type: none"> – For completely drying multi-layered fabrics whose layers have different drying characteristics, e.g. jackets, pillows, sleeping bags and other voluminous items. – For drying individual items, e.g. bath towels, bathing suits, tea towels and small loads. 	
Notes	Do not select the longest drying time to start with. Check the items as you are drying them to find the optimum time.	
Outerwear		Max. load 2.5 kg*
Normal, Hand iron Δ		
Items	Outerwear which is suitable for drying in a tumble dryer.	
Express		Max. load 4.0 kg*
Extra dry, Normal plus, Normal, Slightly dry, Hand iron Δ, Hand iron $\Delta\Delta$, Machine iron		
Items	Hard-wearing garments suitable for the <i>Cottons</i> programme.	
Notes	The programme duration is shorter.	
Sportswear		Max. load 3.0 kg*
Normal plus, Normal, Slightly dry, Hand iron Δ, Hand iron $\Delta\Delta$		
Items	Sportswear which is suitable for drying in a tumble dryer.	
Automatic plus		Max. load 5.0 kg*
Normal plus, Normal, Slightly dry, Hand iron Δ, Hand iron $\Delta\Delta$		
Items	Mixed loads of garments suitable for the <i>Cottons</i> and <i>Minimum iron</i> programmes.	

Programme chart

Pillows		1-2 pillows 40 x 80 cm 1 pillow 80 x 80 cm
Items	Pillows suitable for drying in a tumble dryer, with feather, down, or synthetic fillings.	
Notes	Items are dried to a <i>Normal</i> level only.	
Notes	<ul style="list-style-type: none"> – Feathers are a natural product and may develop odours when exposed to heat. Allow bedding to air outside the dryer after drying. – Pillows can still feel damp after being dried. You can use this programme several times until the pillow feels dry. 	
Cool air		Max. load 9.0 kg*
Items	Any item which only needs airing.	
Basket programme		Max. load for basket 3.5 kg
Notes	<ul style="list-style-type: none"> – This programme must only be used with the Miele drying basket TRK 555 (optional accessory) fitted. – It is essential to observe the operating instructions for the drying basket. – Make sure that the load (bag, boots ...) does not touch the drum: The dryer drum rotates, which can damage the basket and the drum if loaded incorrectly. 	
		
Fabric type/Items	Use this programme to dry or air items which are suitable for drying in a tumble dryer but which are not suitable for drying using mechanical action.	


Programme chart

Silks handcare		Max. load 1.0 kg*
Items	Silk garments which are suitable for drying in a tumble dryer, e.g. blouses and shirts.	
Notes	<ul style="list-style-type: none">– This programme reduces creasing. Items are not dried completely.– Remove garments as soon as the programme has finished.	

The drying programmes can be supplemented with various Extras. However, *Freshen up* and *Gentle tumble* cannot be combined.

Freshen up	Gentle tumble
Anti-crease	Buzzer

Gentle tumble

Delicate fabric (with the  symbol on the care label, e.g. acrylic garments) is dried at a lower temperature. The programme duration is longer.

Freshen up

You can use the *Freshen up* Extra to help remove or reduce odours in clean (dry or damp) clothing.

The drying air is heated for a specific length of time. After this, the garments are aired to the *Normal* drying level without any more heat being added. The drying level cannot be altered.

This Extra will be more effective if you dampen the garments a little beforehand, use a fragrance flacon and reduce the load. Please note that odours will not be removed as effectively from parts of garments made of synthetic fibres.

Anti-crease


After the programme has finished, the drum will continue to rotate at intervals. This helps prevent creasing if the laundry is not removed immediately after the end of the programme.

Buzzer

A buzzer sounds to let you know the programme has finished. The buzzer will always sound when there is a fault, even if it has been switched off.

Extras

Drying programme overview - Extras

	<i>Freshen up</i> ¹	<i>Gentle tumble</i> ¹	<i>Anti-crease</i>	<i>Buzzer</i>
Cottons 	-	-	X	X
Cottons	X	X	X	X
Minimum iron	X	X	X	X
Delicates	-	✓	X	X
Woollens handcare	-	-	X	X
Shirts	X	X	X	X
Steam care	-	-	X	X
Bed linen	-	-	X	X
Proofing	-	-	X	X
Pre-ironing	-	✓	X	X
Denim	X	X	X	X
Warm air	-	X	X	X
Outerwear	-	✓	X	X
Express	-	-	X	X
Sportswear	-	X	X	X
Automatic plus	-	X	X	X
Standard pillows	-	-	X	X
Cool air	-	-	X	X
Basket programme	-	-	-	X
Silks handcare	-	-	X	X

¹ = these Extras cannot be combined

X = can be selected



- = cannot be selected

✓ = automatically selected


Changing the programme sequence

Changing a programme after it has started

You cannot change to another programme once a programme has started (this prevents unintentional alterations).

If you try to change the current programme,  Cannot be changed lights up until the original programme is reset. Exception: You can switch the dryer off by turning the programme selector to the  position.

You will need to cancel the current programme before you can select a new one.

 Risk of fire due to incorrect use and operation.
The laundry can burn and destroy the dryer and the surroundings.
See “Warning and Safety instructions” for further information.

Canceling a programme

- Touch the *Start/Stop* sensor.

Cancel programme lights up.

- Confirm with the *OK* sensor.

Finish/Cooling down will light up in the display, depending on the drying duration and the drying temperature reached.

The following appears in the display:
Programme cancelled


- Open the door.

Selecting another programme

- Close the door.

- Turn the programme selector to a different programme.
- Touch the *Start/Stop* sensor.

Adding or removing laundry

 Risk of burning when touching hot laundry in the drum!
You could burn yourself.
Let the laundry cool down and remove it carefully.

- Pull open the door.
- Add or remove items.
- Close the door.
- Touch the *Start/Stop* sensor.

The programme will start.

Changing the programme sequence

Adding laundry during the Timer period

You can open the door to add or remove laundry.

- All programme settings will be saved.
- You can change the drying level, if required.
- Open the door.
- Add or remove laundry.
- Close the door.
- Touch the *Start/Stop* sensor so that the Timer period continues.


Programme duration

Altering the programme sequence can cause the programme duration shown in the display to be adjusted.

Condensed water container


Emptying the condensed water container

The condensed water is collected in the condensed water container. Empty the condensed water container after every drying programme.

The Empty container. See  indicator will light up when the maximum level in the condensed water container is reached.

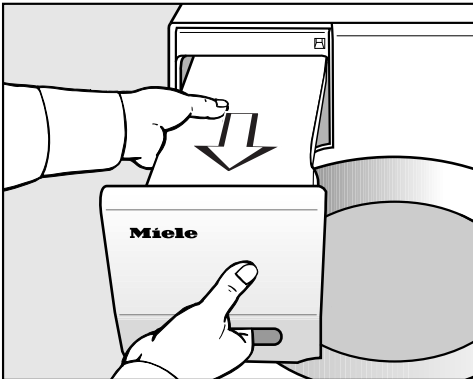
To dismiss the message:

- Open and close the door (with the dryer switched on).

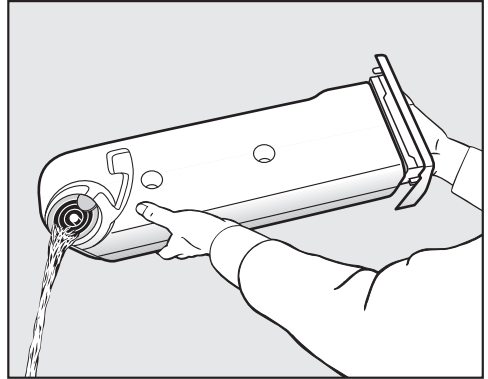
 **Damage to the door and the fascia panel when removing the condensed water container.**

The door and the fascia panel can get damaged.

Always close the door completely.



- Pull out the condensed water container.
- To prevent water running out, keep it in a horizontal position when carrying it. Hold the condensed water container by the front panel and at the back.



- Empty the container.
- Replace the container in the dryer.

Condensed water can cause health problems in people and animals.
Do not drink condensed water.

The condensed water can be used for the *Steam care* programme. The condensed water container must be filled to use this programme. See the following section.

Condensed water container

Preparing the condensed water container for Steam care

During *Steam care*, the condensed water collected in the condensed water container is sprayed into the drum via a spray jet. The condensed water container must therefore be filled with water to at least the **-min-** marker. Otherwise, this could cause a fault.

The **-min-** marker is at the front left-hand side of the container.

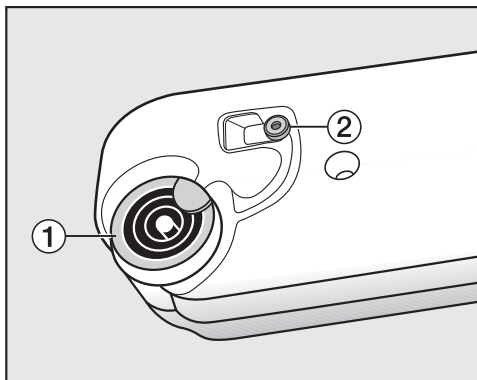


Make use of the condensed water which collects during the drying process.

Filling the empty condensed water container

- You can fill the condensed water container with commercially available condensed water (ironing water).

You should only use tap water in exceptional cases. If tap water is used frequently, the spray jet in the door opening can become calcified.



1 spout, 2 rubber seal

- Pour the water in through the rings on the spout 1.

The spray jet in the door opening may clog.

Only fill with clean water. Do not add fragrances, detergents or other substances.

Checking the rubber seal periodically

If tap water is used frequently, white limescale deposits can build up on the rubber seal 2.

- Use a damp cloth to carefully remove any limescale deposits from the rubber seal 2.

FragranceDos – 2 positions for inserting a fragrance flacon

Fragrance flacons (optional accessories) can be used to give your laundry a pleasant scent.

This dryer has 2 places for inserting fragrance flacons. This gives you a choice of how to use them.

- Use both positions if you wish to change from one scent to another. You can close the fragrance flacon that you are not using.
- Both positions can be used for a more intense scent of the same fragrance.
- Use one socket only if you only want to use the one fragrance.

⚠ Risk of fire and harm to health if fragrance flacons are used incorrectly.

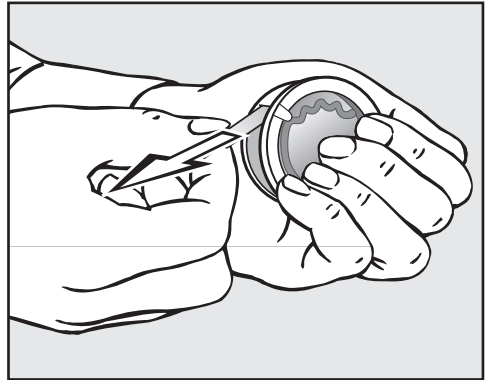
Leaked fragrance can be harmful to your health if it comes into contact with your body. Leaked fragrance can cause a fire.

Before using a fragrance flacon, please read the section "Using a fragrance flacon (optional accessory)" in the Warning and Safety instructions.

Using a fragrance flacon

Removing the protective seal from the fragrance flacon

Only hold the fragrance flacon as illustrated. Do not hold it at an angle or tip it as the fragrance will leak out.



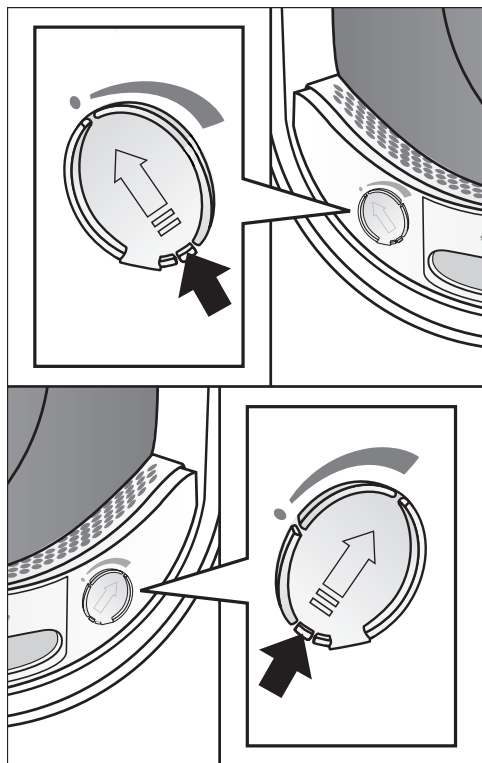
- Hold the fragrance flacon securely so that you do not open it by mistake.
- Pull off the protective seal.

Fragrance flacon

Inserting the fragrance flacon

- Open the door of the tumble dryer.

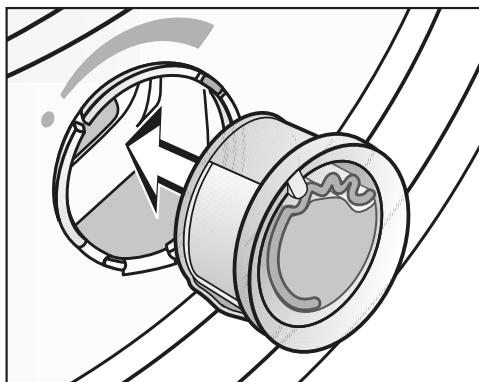
The fragrance flacon is inserted in the upper fluff filter. It can be inserted on the left or the right-hand side beside the grip.



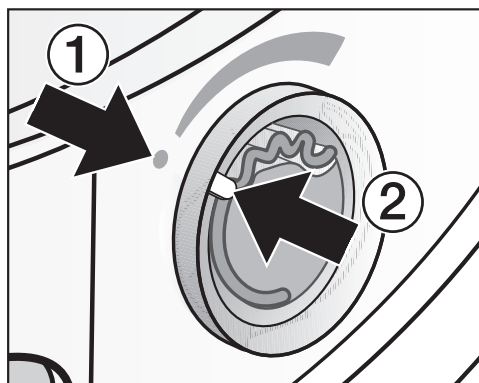
- Open the cover using the tab until the tab is right at the top as shown

To prevent the accumulation of fluff, the cover of the unused socket must remain closed.

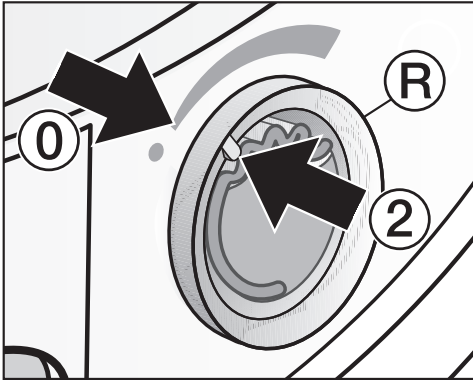
Push the tab of the cover to the bottom (see arrow), until you hear it click into position.



- Insert the fragrance flacon in the opening as far as it will go.



Markers ① and ② must line up with each other.

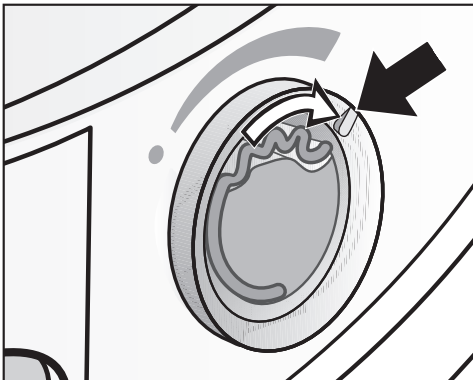


- Turn the outer ring **R** clockwise a little.

The fragrance flacon can slip out. Turn the outer ring so that markers **2** and **0** line up.

Opening the fragrance flacon

Before drying, you can select the intensity of the fragrance.



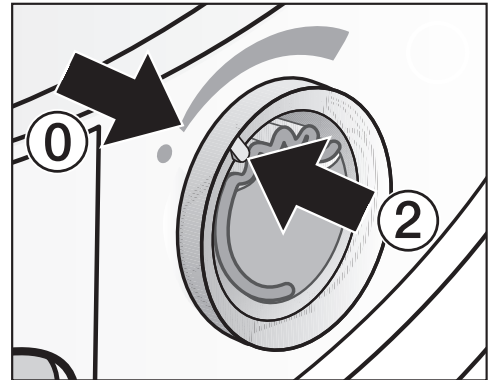
- Turn the outer ring clockwise: the further you open the fragrance flacon, the more intense the fragrance.

Damp laundry and longer drying durations with sufficient heat transfer are needed for the fragrance to be released into the laundry effectively.

The fragrance will also be noticeable in the room air during the process. The *Cool Air* programme will not generally apply fragrance.

Closing the fragrance flacon

After drying, the fragrance flacon should be closed to prevent the fragrance from escaping needlessly.



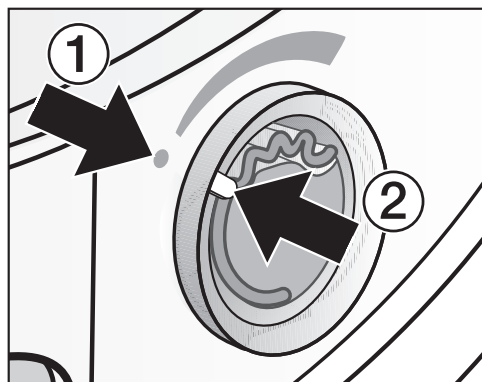
- Turn the outer ring anti-clockwise until marker **2** is in position **0**.

If you wish to dry laundry without adding fragrance: remove the fragrance flacon and store it in its original packaging.

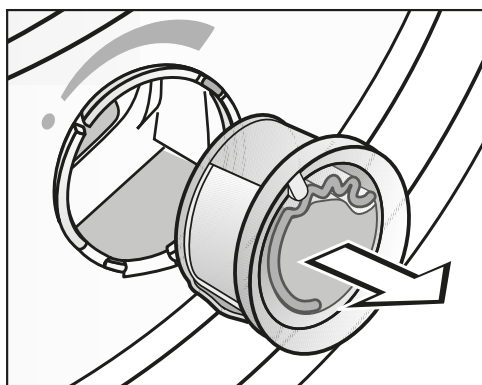
When the intensity of the fragrance is no longer sufficient, replace the fragrance flacon with a new one.

Fragrance flacon

Removing/replacing the fragrance flacon



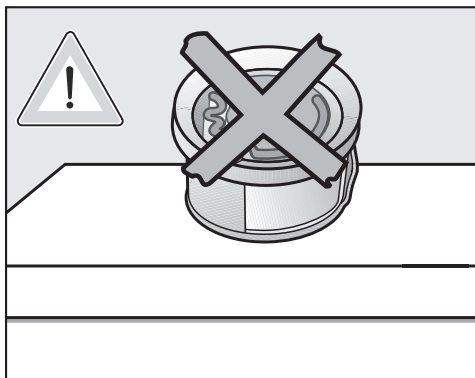
- Turn the outer ring anti-clockwise until markers ① and ② line up.



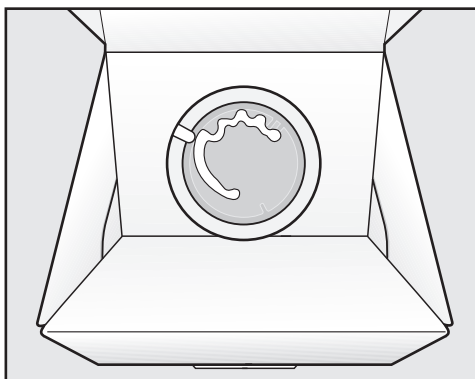
- Replace the fragrance flacon with a new one.

When not in use, you can store the fragrance flacon in its original packaging.

Fragrance flacons are available to order from Miele or online at www.miele-shop.com.



Fragrance can leak.
Do not lay the fragrance flacon down.



- If you are keeping the fragrance flacon in its original packaging, do not store the packaging upright on its edge or upside down. Otherwise, the fragrance will leak out.
- Always store in a cool, dry place away from direct sunlight.
- When purchasing new fragrance flacons, only remove the protective seal just before use.

Fluff filters

This tumble dryer has 2 fluff filters in the door opening: the upper and lower fluff filters trap fluff produced during the drying process.

Clean the fluff filters after each drying programme. This prevents an extension of the programme duration.

Also clean the fluff filters when Clean the plinth filter. See  lights up.

To delete the message:

- Confirm with OK.

Removing the fragrance flacon

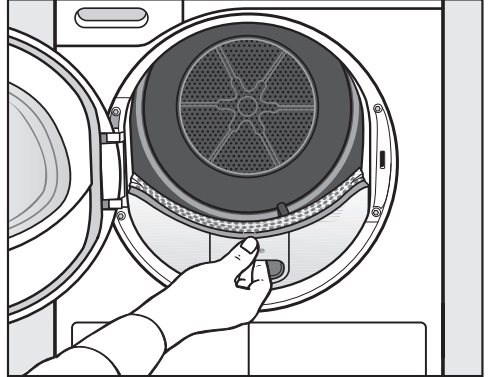
The intensity of the fragrance will be diminished if the fluff filters and the plinth filter are not cleaned.

- Remove the fragrance flacon. See “Fragrance flacon - Removing/replacing the fragrance flacon”.

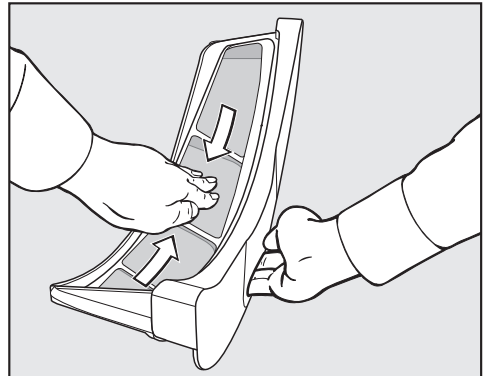
Removing visible fluff

Useful tip: You can use a vacuum cleaner so that you can remove the fluff without touching it.

- Open the door.

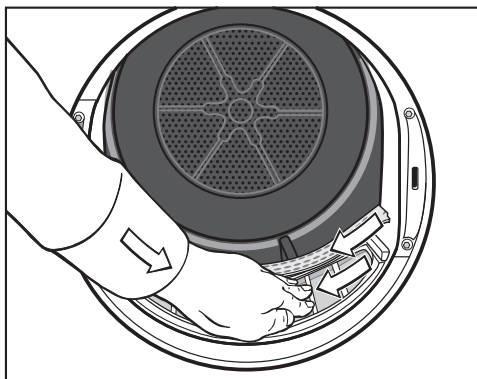


- Pull the upper fluff filter forwards to remove it.



- Remove the fluff (see arrows).

Cleaning and care

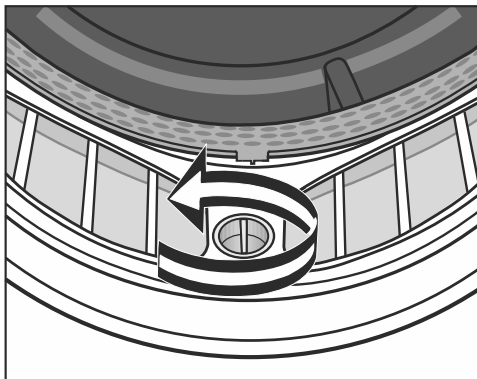


- Remove the fluff from the filter surface of all the fluff filters and the perforated laundry deflector (see arrows).
- Push the upper fluff filter back until it clicks into position.
- Close the door.

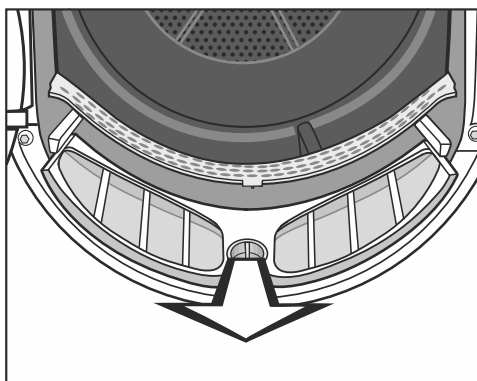
Cleaning the fluff filters and air flow openings thoroughly

If the drying duration has become longer or the surface of the filters is visibly compacted with fluff, you should clean them thoroughly.

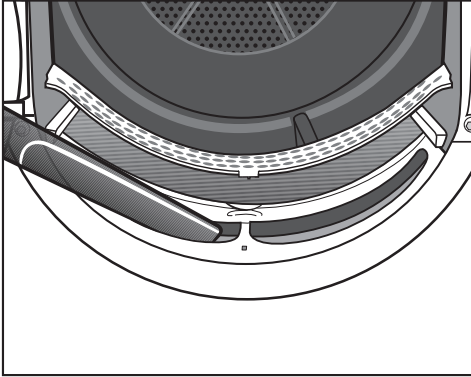
- Remove the fragrance flacon. See “Fragrance flacon - Removing/ replacing the fragrance flacon”.
- Pull the upper fluff filter forwards to remove it.



- Turn the yellow dial on the lower fluff filter in the direction of the arrow (until you hear it click).



- Hold the dial and pull the fluff filter forwards to remove it.



- Use a vacuum cleaner with a long crevice nozzle attached to remove any visible fluff from the upper air flow openings.

Finally, clean the fluff filters with water.

Cleaning the fluff filters with water


- Wipe the smooth plastic surfaces of the fluff filters with a damp cloth to clean them.
- Rinse the filters with warm running water.
- Shake the fluff filters thoroughly and then dry them carefully.

Ensure the filters are dry before replacing them. Wet filters could cause operational faults.

- Push the lower fluff filter in completely and lock it with the yellow dial.
- Push the upper fluff filter in completely.
- Close the door.

Cleaning and care

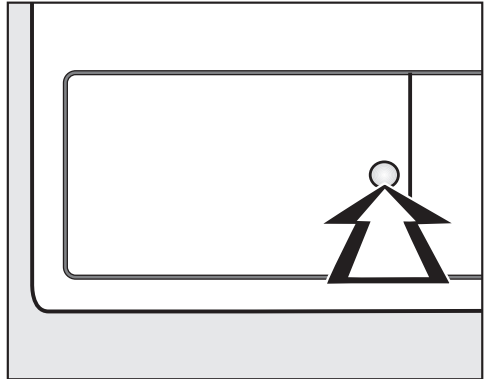
Cleaning the plinth filter

Clean the plinth filter when Clean the plinth filter. See  lights up or when the programme duration has been extended.

To delete the message:

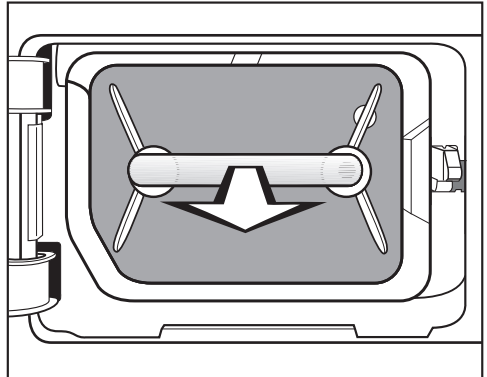
- Confirm with OK.

Removing the plinth filter



- Press the round, indented area on the heat exchanger access panel to open it.

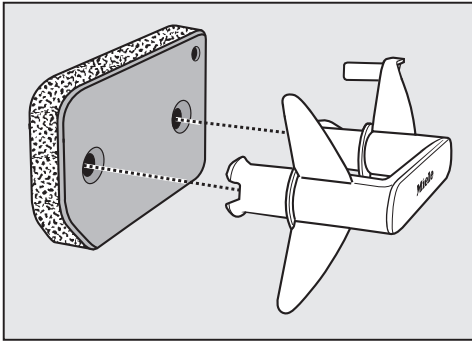
The panel will spring open.



- Pull the plinth filter out by the handle.

Removing the plinth filter will cause the right-hand guide pin in the dryer to come out. This pin ensures that the heat exchanger access panel can only be closed if the plinth filter is inserted the right way round.

Cleaning the plinth filter



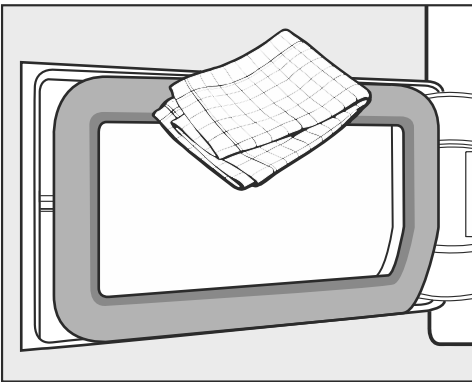
- Check whether the cooling fins are blocked with fluff (as follows).

- Pull the handle out of the plinth filter.
- Clean the filter thoroughly under running water.
- Squeeze the water out of the plinth filter thoroughly.

The plinth filter must not be replaced dripping wet. This can cause a fault.

- Use a damp cloth to remove any fluff from the handle.


Cleaning the plinth filter panel



- Use a damp cloth to remove any fluff. Make sure that you do not damage the rubber seal when doing this.

Cleaning and care

Checking the heat exchanger unit


 Risk of injury from sharp cooling fins.

You could cut yourself.

Do not touch the cooling fins.

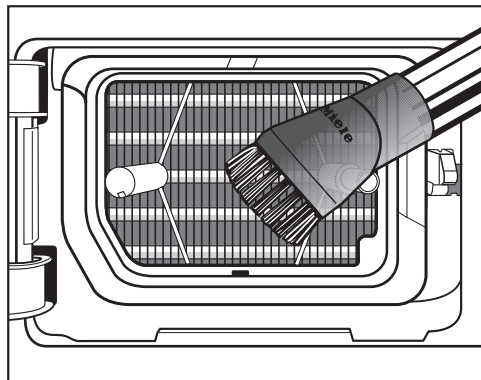
- Look to see if fluff has accumulated.

If there is visible soiling:

 Damage due to incorrect cleaning of the heat exchanger.

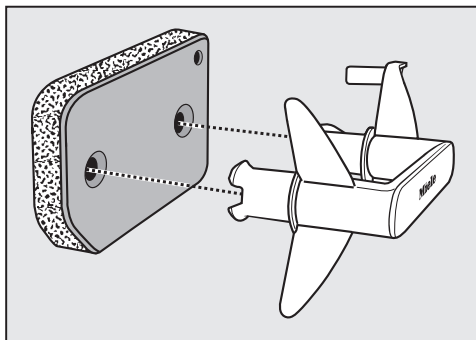
The dryer will not dry if the cooling fins are damaged or bent.

Clean using a vacuum cleaner with a dusting brush attached. Only pass the vacuum cleaner dusting brush over the fins lightly, without applying any pressure.



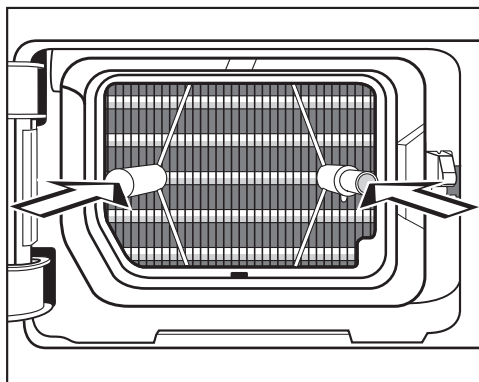
- Carefully vacuum up any visible fluff or dirt.

Inserting the plinth filter



- Fit the plinth filter back on the handle the right way round.

To ensure that the filter is positioned correctly in the front of the heat exchanger unit:



- Insert the handle with the plinth filter facing the right way onto the two guide pins.

– The word Miele on the handle must be the correct way up.

- Push the plinth filter in completely.

Insert the right guide pin at the same time.

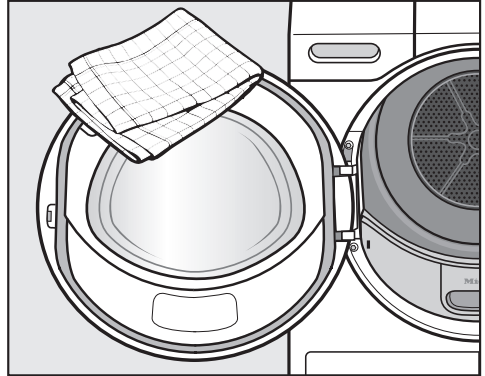
- Close the heat exchanger access panel.

⚠ Damage or ineffective drying when drying without a plinth filter or with the heat exchanger flap open. An excessive accumulation of fluff can damage the dryer in the long term. If the system is not leak-proof, this can lead to ineffective drying. You may only operate the dryer with the plinth filter fitted correctly and the heat exchanger access panel closed.

Cleaning the dryer

Disconnect the dryer from the electricity supply.

⚠ Damage due to the use of unsuitable care products. Unsuitable care products could damage plastic surfaces and other parts. Do not use solvents, abrasive cleaners, glass cleaners or all-purpose cleaners.



- Clean the dryer and the seal on the inside of the door only with a slightly damp, soft cloth and mild detergent or soapy water.
- Dry all parts with a soft cloth.

Problem solving guide

With the help of the following guide, minor faults in the performance of the appliance, some of which may result from incorrect operation, can be remedied without contacting Miele. This will save you time and money because you won't need a service call.










Please note that a call-out charge will be applied to unnecessary service visits where the problem could have been rectified as described in these operating instructions.

Some of the messages in the display are more than one line long. Touch the \vee or \wedge sensor to read them in full.

The display indicates the following messages or faults

Message	Possible cause and remedy
000 lights up after switching on.	Access via a code has been activated. ■ Enter the code and confirm the entry. Deactivate the code if you do not wish this message to appear in the display the next time the machine is switched on (see "Operation/display - Code").
Finish/Cooling down	The laundry is cooled down at the end of the programme. ■ Either remove the laundry and spread it out to cool down or leave it in the tumble dryer to cool down during the cooling phase.
i Fill condensate container	This is to remind you that water is taken from the condensed water container when the Steam care programme is being used. The condensed water container must therefore be filled with water to at least the -min- marker. ■ Fill the condensed water container. To switch off the message: ■ Confirm with <i>OK</i> .

Problem solving guide

Message	Possible cause and remedy
<p>i Clean the plinth filter. See  lights up at the end of a programme.</p>	<p>There is a build-up of fluff.</p> <ul style="list-style-type: none"> ■ Clean the fluff filters. ■ Clean the plinth filter. <p>See “Cleaning and care”.</p> <p>To switch off the message:</p> <ul style="list-style-type: none"> ■ Confirm with <i>OK</i>. <p>You can influence when the indicator lights up: see “Settings - Airways indicator”.</p>
<p>i Open & close door</p>	<p>After selecting the <i>Steam care</i> programme, you are alerted to load laundry.</p> <ul style="list-style-type: none"> ■ Load laundry in the drum.
<p> Clean the plinth filter. See  lights up after a programme is cancelled.</p>	<p>An excessive amount of fluff has built up.</p> <ul style="list-style-type: none"> ■ Clean the fluff filters. ■ Clean the plinth filter. ■ Clean the air duct area below the fluff filters. ■ Clean the heat exchanger. <p>To switch off the fault message:</p> <ul style="list-style-type: none"> ■ Switch the dryer off and then on again.
<p> Empty container. See  lights up after a programme is cancelled.</p>	<p>The condensed water container is full or there is a kink in the drain hose.</p> <ul style="list-style-type: none"> ■ Empty the condensed water container. ■ Check the drain hose. <p>To switch off the fault message:</p> <ul style="list-style-type: none"> ■ Open and close the door with the dryer switched on or switch the dryer off and then back on.
<p> Blockage detected. See  lights up after a programme is cancelled.</p>	<p>The laundry is unevenly distributed or has rolled up.</p> <ul style="list-style-type: none"> ■ Open the door and loosen the laundry. Remove a few items, if necessary. ■ Switch the dryer off and then on again. ■ Start a programme.
<p>  Service Fault F XXX lights up after a programme is cancelled.</p>	<p>There is no obvious cause.</p> <ul style="list-style-type: none"> ■ Switch the dryer off and then on again. ■ Start a programme. <p>If the programme terminates again with the same error message, then there is a fault. Contact Miele.</p>

Problem solving guide

Unsatisfactory drying results

Problem	Possible cause and remedy
The laundry is not sufficiently dry.	<p>The load consisted of different types of fabric.</p> <ul style="list-style-type: none">■ Finish drying using the <i>Warm air</i> programme.■ Select a more suitable programme next time. <p>Tip: You can alter the residual moisture level for some programmes. See “Settings - Drying levels”.</p>
Laundry or feather filled pillows smell after drying.	<p>The laundry was washed with insufficient detergent. Feathers are a natural product and this is quite normal.</p> <ul style="list-style-type: none">■ Laundry: use sufficient detergent next time.■ Pillows: take out of the tumble dryer and aerate.■ Use a fragrance flacon (available as an optional accessory).
Items made of synthetic fibres are charged with static electricity after drying.	<p>Synthetic fibres tend to attract static charge.</p> <ul style="list-style-type: none">■ Static charge can be reduced by adding a fabric softener to the final rinse in the washing programme.
There is a build-up of fluff.	<p>Fluff is principally the result of friction when garments are being worn and to some extent when they are being washed. Machine drying hardly causes any fluff to form.</p> <p>Fluff is collected by the fluff filters and the plinth filter and can be removed easily.</p> <ul style="list-style-type: none">■ See “Cleaning and care”.


The drying process takes a long time.

Problem	Possible cause and remedy
<p>The drying process goes on too long or even switches off.*</p>	<p>The room in which the tumble dryer is located is too warm.</p> <ul style="list-style-type: none"> ■ Ventilate the room thoroughly.
	<p>Detergent residues, hair and fine fluff can clog the filters.</p> <ul style="list-style-type: none"> ■ Clean the fluff filters and the plinth filter (see “Cleaning and care - Fluff filters and Cleaning the plinth filter”). ■ Remove any visible fluff from the heat exchanger (see “Cleaning and care - Cleaning the plinth filter”).
	<p>The laundry is unevenly distributed or has rolled up. The tumble dryer has been overloaded.</p> <ul style="list-style-type: none"> ■ Untangle the laundry and remove a few items, if necessary. ■ Start a programme.
	<p>The cool air intake (bottom right grille) is blocked.</p> <ul style="list-style-type: none"> ■ Move any objects, such as a laundry basket, away from the dryer.
	<p>The fluff filters and the plinth filter were wet when replaced.</p> <ul style="list-style-type: none"> ■ The fluff filters and the plinth filter must be dry.
	<p>The laundry is too damp.</p> <ul style="list-style-type: none"> ■ Spin using a higher spin speed in the washing machine.
	<p>Metallic components, e.g. zippers, have prevented the dryer from registering the correct moisture level.</p> <ul style="list-style-type: none"> ■ Open the zippers next time. ■ If the problem recurs, dry these items using the <i>Warm air</i> timed drying programme.

* Switch the tumble dryer off and on again before starting a new programme.

Problem solving guide

General problems with the tumble dryer

Problem	Possible cause and remedy
There are operating noises (whirring/humming).	<p>This is not a fault. The compressor (heat pump) is operating or you have selected the <i>Steam care</i> programme.</p> <ul style="list-style-type: none">■ No action is required. These are normal noises caused by the operation of the compressor or condensate pump.
A programme cannot be started.	<p>There is no obvious cause.</p> <ul style="list-style-type: none">■ Connect the tumble dryer to the mains electricity supply.■ Turn on the tumble dryer.■ Close the door.■ Check whether the mains fuse has tripped.
	<p>Has there been a power cut? When power is restored, any previously running programme will restart automatically.</p>
The display is dark and the <i>Start/Stop</i> sensor is flashing slowly.	<p>The display has switched off automatically to save energy (Standby mode). The drum will rotate from time to time when the dryer is in the Anti-crease phase.</p> <ul style="list-style-type: none">■ Touch any sensor. This switches Standby off.
The dryer is switched off at the end of the programme.	<p>The tumble dryer switches off automatically. This is not a fault, but a normal function.</p> <ul style="list-style-type: none">■ See “Settings - Appliance switch-off status”.
The display is in a different language.	<p>A different language has been selected in “Settings - Language ”.</p> <ul style="list-style-type: none">■ Set the language you want. The flag symbol serves as a guide.
The interior drum lighting does not come on.	<p>This is not a fault. The drum lighting switches off automatically in the following cases: If the door is closed. If the door remains open for an extended period of time.</p>

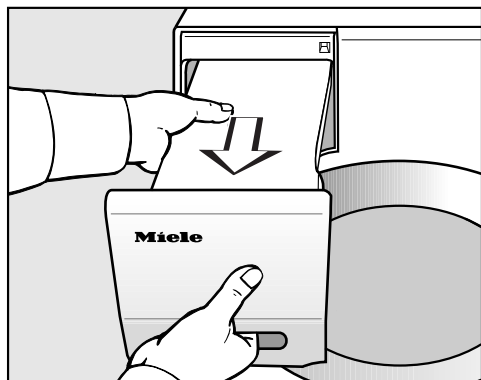
Problem solving guide

Problem	Possible cause and remedy
Insufficient jet spray for the Steam care programme.	<p>The fluff filter in the condensed water container is clogged.</p> <ul style="list-style-type: none">■ Clean the fluff filter in the condensed water container. See the section “Cleaning the fluff filter in the condensed water container” in this chapter.
	<p>The spray jet in the door opening is heavily calcified.</p> <ul style="list-style-type: none">■ Replace the spray jet. See the section “Replacing the blocked spray jet for the Steam care programme” in this chapter.■ Only use condensed water. Do not use tap water. Tap water leads to limescale deposits in the long run.

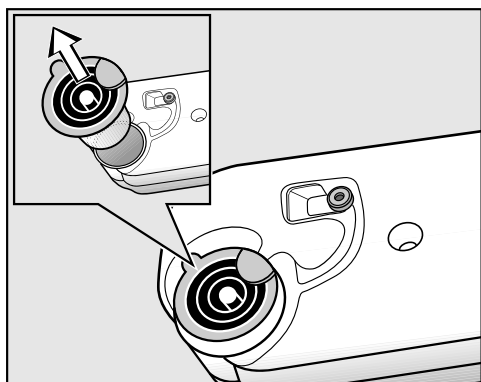
Problem solving guide

Cleaning the fluff filter in the condensed water container

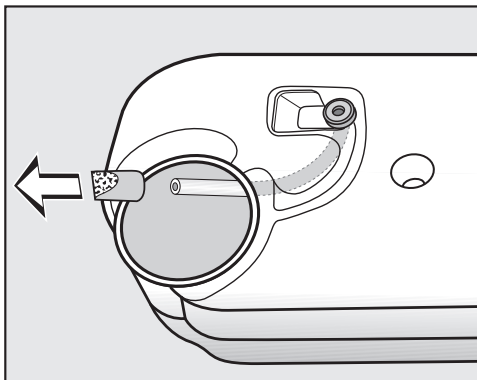
If you are experiencing problems running the *Steam care* programme, the fluff filter at the end of the hose which is connected to the rubber seal in the condensed water container could be blocked.



- Pull out the condensed water container.



- Reach under the side lug on the spout with your finger.
- Pull out the spout.




Do not pull on the hose with force. Otherwise it will come loose.

- Guide the end of the hose through the opening.
- Hold it securely with one hand.
- Use your other hand to pull the fluff filter off the hose.
- Rinse the fluff filter with a jet of water until all the fluff has been removed.
- Reattach the cleaned fluff filter onto the end of the hose.
- Now feed the hose with its fluff filter attached into the condensed water container.
- Refit the spout in the condensed water container ensuring that it is positioned correctly. Please refer to the image.

Replacing the blocked spray jet for the Steam care programme

Limescale deposits will impair the water jet of the spray jet. In this case, the spray jet must be removed and replaced with a new one (optional accessory).

You can only replace the spray jet using a special tool. The special tool is supplied with the new spray jet.

 Using the wrong tool can cause damage.

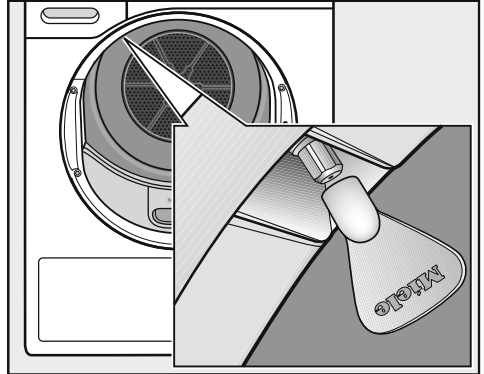
It can damage the spray jet or the tumble dryer.

Only use the tool supplied. Do not use any other tool.

The *Steam care* programme must not be used without the spray jet fitted and screwed in correctly.

- Open the door of the tumble dryer.

The spray jet is located in the top left of the door opening.



- Attach the tool to the spray jet.
- Turn the tool anti-clockwise to unscrew the spray jet.
- Insert the new spray jet in the tool.
- Turn the tool clockwise to screw the spray jet securely in position.

Service

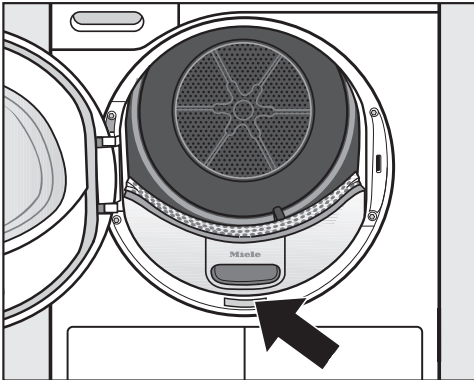
Contact in case of fault

In the event of any faults which you cannot remedy yourself, please contact Miele.

Contact information for Miele can be found at the end of this booklet.

Please quote the model and serial number of your appliance when contacting Miele. This information can be found on the data plate.

The data plate is visible when the door is open.



Optional accessories

Optional accessories for this tumble dryer are available from Miele (see contact details at the back of these instructions).

You also can order these and other useful products from the Miele online shop.

Drying basket

The drying basket is suspended in the drum and does not rotate with the drum. This enables items which must not be subjected to mechanical action to be dried or aired.

Fragrance flacon

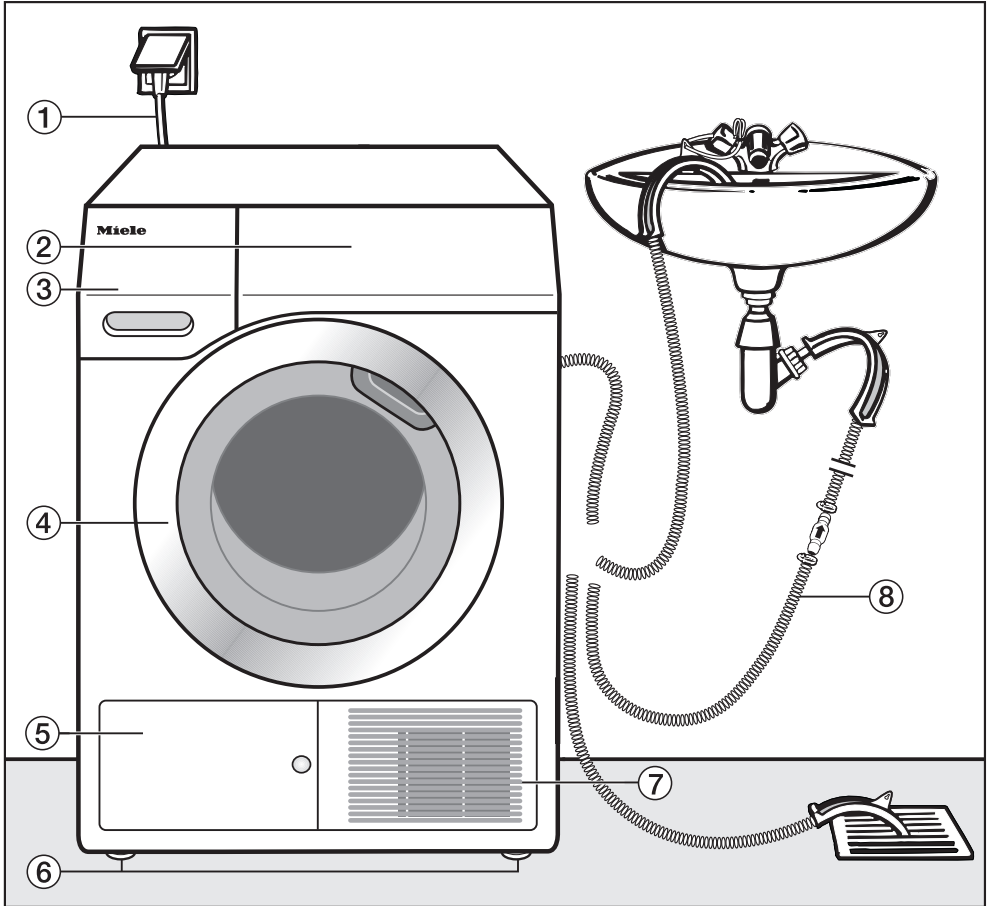
Fragrance flacons can be used in your tumble dryer to add a pleasant fragrance to your laundry.

Warranty

The manufacturer's warranty for this appliance is 2 years.

For further information, please refer to your warranty booklet.

Front view



- ① Mains connection cable
- ② Control panel
- ③ Condensed water container
 - empty after every drying cycle
- ④ Door
 - do not open during drying
- ⑤ Heat exchanger access panel
 - do not open during drying
- ⑥ Four height adjustable screw feet
- ⑦ Cool air intake grille
 - do not obstruct with a laundry basket or other objects
- ⑧ Hose for external drainage of condensed water

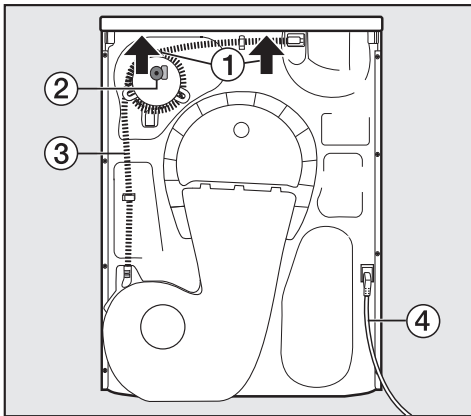
Installation and connection

Rear view

Depending on the model of your tumble dryer, the guide path for the condensed water drain hose on the rear of the dryer will be different.

Version 1

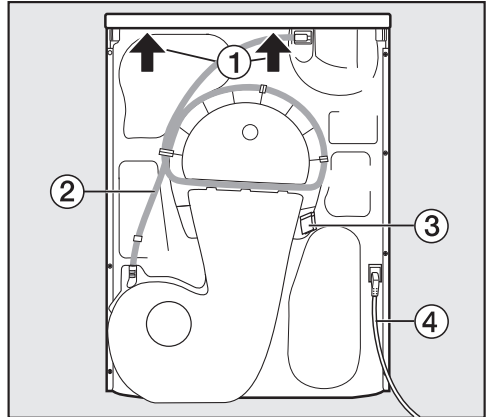
The drain hose ③ for condensed water is wound up at the top left. The accessories ② for external drainage of condensed water are attached to the tumble dryer.



- ① Protruding lid for holding when moving the tumble dryer (see arrows)
- ② Accessories for external drainage of condensed water: hose clip, adapter and hose holder
- ③ Drain hose for condensed water
- ④ Mains connection cable

Version 2

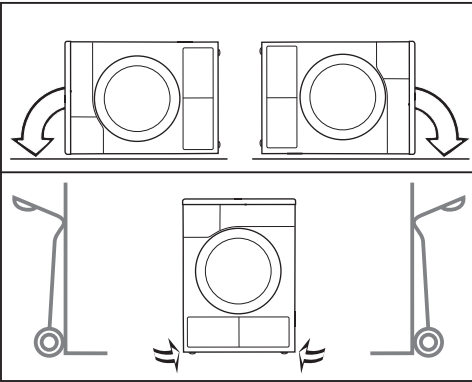
The drain hose ② for condensed water is wound up in the middle of the rear panel. The accessories for external drainage of condensed water are supplied separately with the tumble dryer.



- ① Protruding lid for holding when moving the tumble dryer (see arrows)
- ② Drain hose for condensed water
- ③ Hook for winding the mains cable around during transport
- ④ Mains connection cable

Transporting the tumble dryer

⚠ Danger of injury to people and damage to property caused by moving the appliance incorrectly. If the tumble dryer tips over, there is a danger of injury to people and damage to property. Ensure that the tumble dryer is stable during transportation.



- If the tumble dryer is being transported horizontally, it must only be tipped onto its left or right side.
- If the tumble dryer is being transported upright and you are using a handcart or trolley, you must only transport it with its left or right side resting on the handcart or trolley.

Transporting the tumble dryer to its installation site


⚠ Make sure the fixings at the back of the lid are secure. Otherwise there is a danger of the lid being pulled off when carrying the appliance. Before carrying the appliance, check that the lid is secure where it protrudes at the back of the appliance.

- Carry the tumble dryer by the front feet and by the lid where it protrudes at the back of the appliance.

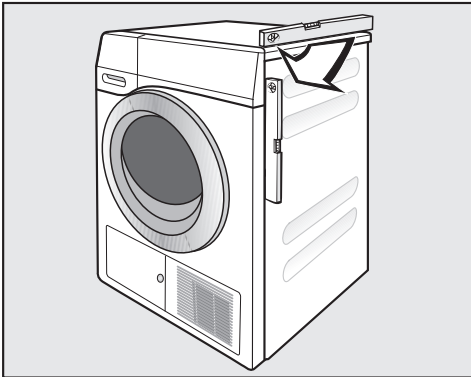
Installation and connection

Installation

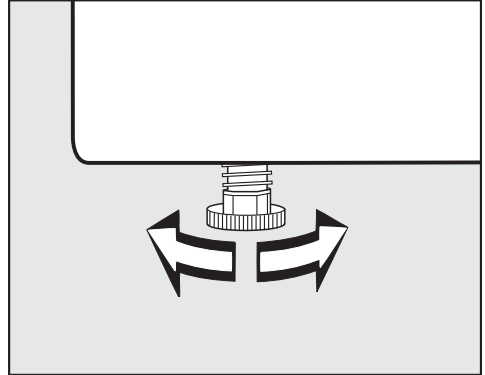
Levelling the dryer

 The appliance must not be installed behind a lockable door, a sliding door or a door with a hinge on the opposite side to that of the tumble dryer, in such a way that a full opening of the tumble dryer door is restricted.

Make sure the dryer door can be opened without hindrance after installation.




The appliance must stand perfectly level to ensure safe and proper operation.



The screw feet can be adjusted to compensate for any unevenness in the floor.

Downtime after installation

 Damage to the tumble dryer by switching it on too soon. This can damage the heat pump. After setting up the tumble dryer, wait for at least one hour before switching it on.

Ventilation

The cool air intake at the front of the tumble dryer must not be blocked or covered. This would hinder a sufficient intake of cool air for the heat exchanger.

Do not block the gap between the bottom of the tumble dryer and the floor with plinth facings, deep pile carpet etc. This would hinder a sufficient flow of air to the tumble dryer.

Adequate ventilation has to be provided to avoid the backflow of gases into the room from appliances burning other fuels, including open fires.

Air which is taken in to cool the heat exchanger is then blown back out of the dryer and warms up the air in the room. Ensure sufficient ventilation of the room, e.g. by opening a window. The drying time will otherwise take longer (higher energy requirement).

Before moving the tumble dryer again (e.g. when moving house)

After each use a small quantity of condensed water will collect in the area of the pump. This water can run out if the tumble dryer is tipped up when it is being moved. Recommendation: Run the *Warm air* programme for approximately 1 minute without a load before moving the tumble dryer. Any remaining condensed water will then be fed into the condensed water container, which can then be emptied, or out through the drain hose.

Additional installation requirements

Suitable for pushing under a worktop

This tumble dryer is suitable for pushing under a worktop.

Appliance defect due to a build-up of heat.

Make sure there is adequate room for warm air from the dryer to be directed away.

- The appliance lid cannot be removed.
- The electrical socket must be located in an accessible position near the appliance.
- Drying durations may increase slightly.

Optional accessories

– Washer-dryer stack

The tumble dryer can also be combined with a Miele washing machine in a washer-dryer stack. The appropriate Miele washer-dryer stacking kit is required.

Installation and connection

Externally draining condensed water

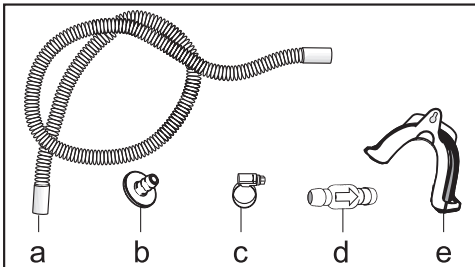
Notes

When drying is in progress, condensed water is pumped into the condensed water container through the drain hose which is located at the back of the dryer.

The condensed water can also be drained away via the drain hose. The condensed water container will then not need to be emptied.

Hose length: 1.49 m
Maximum delivery head: 1.50 m
Maximum drain hose length: 4.00 m

Drainage accessories



- Supplied: adapter (b), hose clip (c), hose holder (e);
- Available to purchase: “Non-return valve” kit for connection to an external water connection. Non-return valve (d), hose extension (a) and hose clips (c) are supplied with the kit.

Installation conditions requiring a non-return valve

⚠ Danger of condensed water backflow.

Water could flow back into the tumble dryer or be drawn into it. Backflow water could damage the tumble dryer and also the room in which it is located.

The non-return valve should be used if the end of the hose is immersed in water, or if other water connections are installed.

Maximum delivery head with non-return valve fitted: 1.00 m


Installation conditions requiring the fitting of a non-return valve:

- Drainage into a sink or floor gully where the end of the hose is immersed in water.
- Connection to a sink drain outlet.
- Connection to a drainage system already in use by another appliance, e.g. a dishwasher or washing machine.

If the non-return valve is incorrectly fitted the appliance will not drain. The non-return valve has to be fitted with the arrow on it pointing in the direction of flow.

Installation and connection

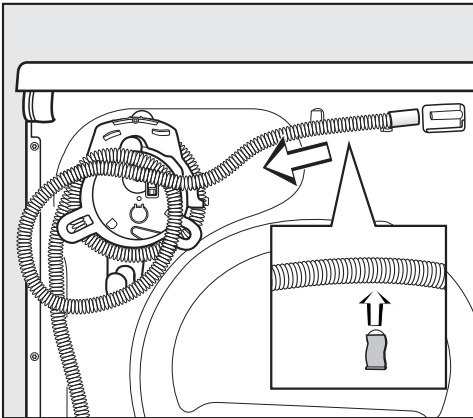
Arranging the drain hose

 Risk of damage to the drain hose due to improper use.

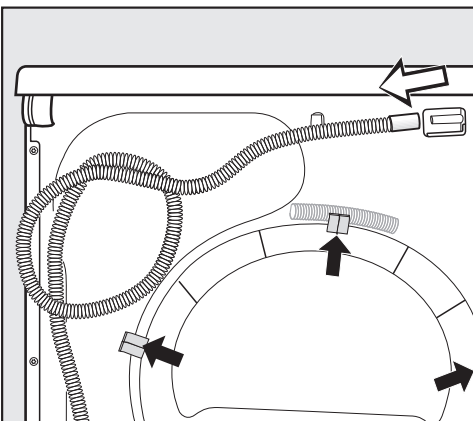
A damaged drain hose can cause damage due to leaking water.

Do not pull on the drain hose excessively and do not stretch it or allow it to become kinked.

There will be a small amount of residual water left in the drain hose. Have a container ready to collect this.

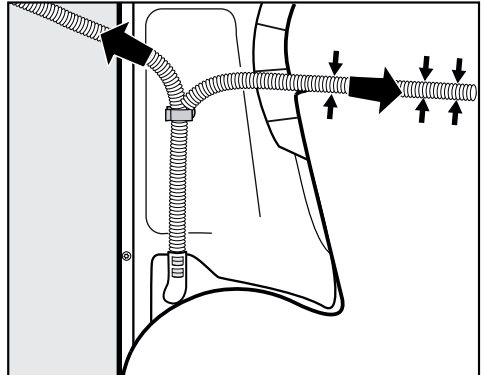


Version 1



Version 2

- Pull the drain hose off its connection.
- Unwind the hose and pull it carefully out of the holders.
- Allow any residual water to run into the container.



- Guide the hose to the right or left side of the dryer as required.
 - If you are guiding it to the right, you can fit the hose into the groove.
 - Leave the hose in the lower holder to prevent it from being kinked inadvertently.

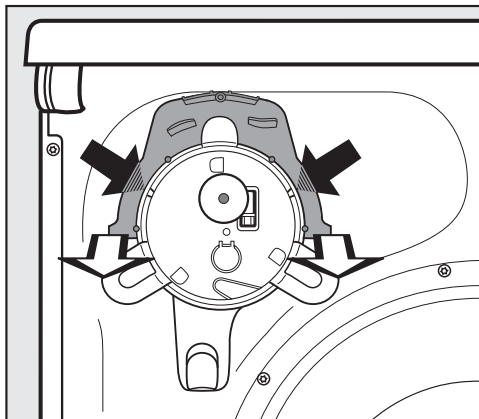
Examples: Draining condensed water

The illustrations show the process of removing the accessories for the external condensed water connection in version 1. In version 2, the accessories for the external condensed water connection are supplied separately.

– Drainage into a sink or floor gully

Use the hose holder to prevent the drain hose from becoming kinked.

Installation and connection



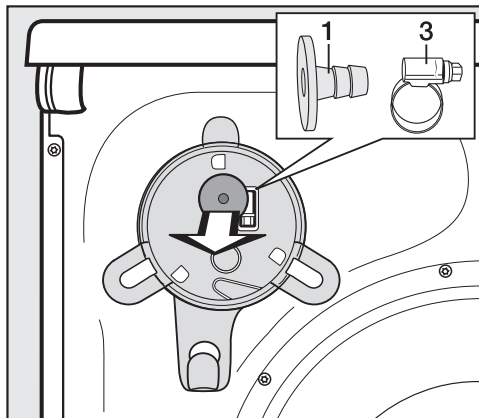
- Press the small catches on the left and right of the hose holder with your thumbs (black arrows) and ...
- ... pull the hose holder forwards to remove it (white arrows).*

! If you want to drain the water off into a sink or basin, you will need to secure the hose carefully, e.g. by tying it to a tap, to make sure it cannot slip during use (see the drawing under “Installation and connection - Front view”).
Overflowing water can cause damage.

- The non-return valve can be fitted in the end of the hose.

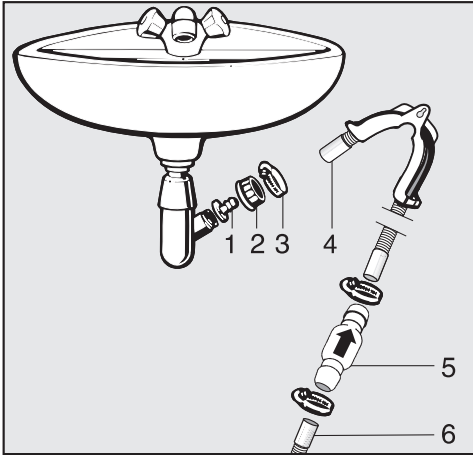
* You can refit the hose holder at a later stage if you decide that you no longer want to drain the condensed water externally.

Direct connection to a sink drain outlet



- Remove the following from the back of the dryer at the top: Adapter **1** and hose clip **3** behind it.
- Connect the drain hose as described below.

Installation and connection



1. Adapter
2. Nut
3. Hose clip
4. End of the hose (secured with the hose holder)
5. Non-return valve
6. Tumble dryer drain hose

- Fit the adapter **1** to the sink drain outlet using the nut **2**.
The nut is usually fitted with a washer which must be removed.
- Attach the end of the hose **4** to the adapter **1**.
- Use the hose holder.
- Use a screwdriver to tighten the hose clip **3** up close to the nut.
- Fit the non-return valve **5** to the tumble dryer drain hose **6**.

The non-return valve **5** has to be fitted so that the arrow points in the direction of flow (i.e. towards the sink).

- Secure the non-return valve using hose clips.

Installation and connection

Electrical connection

This tumble dryer is supplied with a mains cable with moulded plug.

The accessibility of the plug must be always ensured in order to separate the tumble dryer from the mains.

Connection of this appliance must comply with national and local safety regulations.

Do not connect the appliance via an extension lead. Extension leads do not guarantee the required safety of the appliance (e.g. danger of overheating).

The appliance must be connected only by a qualified and competent electrician in accordance with national and local safety regulations. For extra safety, it is advisable to install a residual current device (RCD) with a trip current of 30 mA.

The voltage, rated load and plug rating are given on the data plate. Please ensure that these match the household mains supply.

Important

The wires in the mains lead are coloured in accordance with the following code:

Green/yellow = earth

Blue = neutral

Brown = live



As the colours of the wires in the mains lead of this appliance may not correspond with the coloured markings identifying the terminals in your plug, proceed as follows: The wire which is coloured green and yellow must be connected to the terminal in the plug which is marked with the letter E or by the earth symbol or coloured green or green and yellow. The wire which is coloured blue must be connected to the terminal which is marked with the letter N or coloured black. The wire which is coloured brown must be connected to the terminal which is marked with the letter A or coloured red.

WARNING
THIS APPLIANCE MUST BE
EARTHED

Technical data

Height	850 mm
Width	596 mm
Depth	636 mm
Depth with door open	1054 mm
Height for building under	850 mm (+5/-5 mm)
Width for building under	600 mm
Depth for building under	600 mm
Suitable for pushing under a worktop	Yes
Suitable for stacking	Yes
Weight	Approx. 62 kg
Drum volume	120 l
Maximum capacity	9.0 kg (weight of dry laundry)
Capacity of condensed water container	4.8 l
Drain hose length	1.49 m
Maximum delivery head	1.50 m
Maximum drain hose length	4.00 m
Length of connection cable	2.00 m
Voltage	See data plate
Rated load	See data plate
Fuse rating	See data plate
Test certificates awarded	See data plate
Energy consumption	See "Consumption data"
LEDs	Class 1
Frequency band	2.412 GHz – 2.472 GHz
Maximum transmission power	< 100 mW

Consumption data

	Load ¹	Final spin speed in a domestic washing machine	Residual moisture	Energy	Duration
	kg	rpm	%	kWh	min.
Cottons 	9.0	1,000	60	1.63	208
	4.5	1,000	60	0.86	124
Cottons Normal	9.0	1,200	53	1.45	189
	9.0	1,400	50	1.40	179
	9.0	1,600	44	1.25	160
Cottons Normal incl. Gentle tumble	9.0	1,000	60	1.70	200
Cottons Hand iron 	9.0	1,000	60	1.25	147
	9.0	1,200	53	1.10	129
	9.0	1,400	50	1.00	120
	9.0	1,600	44	0.85	102
Minimum iron Normal	4.0	1,200	40	0.50	70
Minimum iron Normal incl. Gentle tumble	4.0	1,200	40	0.50	72
Delicates Normal	2.5	800	50	0.55	75
Woollens handcare	2.0	1,000	50	0.02	5
Shirts Normal	2.0	600	60	0.45	65
Express Normal	4.0	1,000	60	0.85	110
Denim Normal	3.0	900	60	1.00	125
Proofing Normal	2.5	800	50	0.90	120

¹ Weight of dry laundry

All data was calculated using EN 61121 unless otherwise stated.

Consumption data can vary from the nominal values given above depending on the size of the load, types of textiles, residual moisture levels after spinning and fluctuations in the electricity supply, or when water hardness levels differ from specified values.

Using the Cottons Extra dry programme is recommended for a mixed cotton load and is the programme used in energy consumption tests according to AS/NZS 2442 (Refer to <http://www.energyrating.gov.au> website for consumption data).

The consumption data shown in the **EcoFeedback** display can vary from the consumption data quoted here. The variations arise from the way the data is measured in the dryer. For example, the programme duration may vary depending on the residual moisture present in the laundry and the type of fabric which will affect the energy requirement.

Calling up settings

Settings can be altered to adapt the electronics of the dryer to different requirements. Settings can be altered at any time.

- Turn the programme selector to *Further programmes*/⚙️.



- Touch the \wedge sensor once.

The following appears in the display:



- Confirm with the *OK* sensor.



You are now in the *Settings* submenu.

Selecting settings

- Touch the \vee or \wedge sensor until the setting you want appears in the display.
 - The \vee sensor scrolls down the list.
 - The \wedge sensor scrolls up the list.
- Touch the *OK* sensor to select the setting displayed.

Changing a setting

- Touching the \vee or \wedge sensor will call up the different options for the setting.

For example, you can

- select a value. If the option is marked with a \checkmark it is active
- change a bar chart
- change numbers.
- When the option you want appears in the display, touch the *OK* sensor to activate it.


Closing the Settings menu

- Turn the programme selector.

Settings


Language

The display can be set to appear in one of several different languages.




The flag  after the word Language (Sprache in German) acts as a guide in case a language which is not understood has been set.

The language selected is saved.

Drying levels

You can alter the drying levels for the *Cottons*, *Minimum iron* and *Automatic* programmes. The Cottons  programme will remain unchanged.

Options

-  (damper)
The programme duration is shorter
-  (factory setting)
-  (drier)
The programme duration is longer

Cooling down temperature

The laundry will be cooled down automatically before the end of the programme. The automatic cooling phase at the end of a programme can be set to a cooler level for all drying programmes. This extends the cooling phase.

Options




The level is set in increments of 1 °C.

- 55 °C (factory setting)
- ...
- 40 °C

Welcome tone

The volume for the welcome tone can be set to one of 7 different settings.

Options

- Off
-  (quiet)
-  (factory setting)
-  (loud)

Keypad tone

Each touch of a sensor is confirmed with an audible tone.

Options

- Off (factory setting)
- ■■■■■■■■□ (quiet)
- ■■■■■■■■ (loud)

In the case of a selection that is not allowed, a negative signal tone sounds.

Buzzer volume

The buzzer sounds to let you know the programme has finished. The buzzer can be set louder or quieter.

Options

- ■■■■■■■■□ (quiet)
- ■■■■■■■■□ (factory setting)
- ■■■■■■■■ (loud)

Airways indicator



Fluff must be removed after every drying programme. In addition, this indicator will remind you to clean the fluff filters when a certain amount of fluff has collected in them:

 Clean the plinth filter. See 

You can decide at what level of fluff this reminder should be given.

Options

You will have an idea of how often this should be done after a few drying programmes.

- Off
The reminder does not appear. However, regardless of this option, the programme will be cancelled and the error message  Clean the plinth filter. See  will appear in the display if there is a severe blockage in the ducting.
- Heavy
appears when there is a heavy build-up of fluff.
- Normal (factory setting)
- Light
appears whenever there is a small build-up of fluff.

Settings

Conductivity

This setting is only relevant for regions with very soft water.

Very soft water can result in unsatisfactory drying results. You should only select this setting if the water used for washing the laundry is extremely soft with a conductivity reading (electrical conductivity) of less than 150 $\mu\text{S}/\text{cm}$. Contact your local water authority for the conductivity level of your mains water supply.

Options

- Normal (factory setting)
- Low <150mS (only for regions with very soft water)

Consumption

You can display the total consumption.

Options


- Previous programme
Displays the energy consumption in the last programme run
- Total consumption
Displays the total consumption to date
- Reset function
Deletes the total consumption to date

Code

The code prevents your machine being used without your knowledge.

Options

- **Activate**
The code is 250 and can be activated.
When the code has been activated, you have to enter the code after switching the dryer on. Otherwise the dryer cannot be operated.
- **Deactivate**
For using the dryer without entering the code. This only appears if the code has been activated previously.
- **Change**
You can enter a code of your own.

 **Important!** Make a note of your new code. If you forget the code, the dryer will need to be unlocked by a Miele service technician.

Brightness

You can set the brightness of the display, the sensor controls, and the dimmed sensor controls.

Options

Display

Controls the brightness of the display.

-  (dark)
-  (factory setting)
-  (bright)

Buttons active

Controls the brightness of the activated sensor controls.

-  (dark)
-  (bright)

Buttons inactive

Controls the brightness of the sensor controls that can be activated.

-  (dark)
-  (bright)

Useful tip: Ensure that there is a discernible difference in brightness between the activated and dimmed sensor controls. This makes it easier to operate the appliance.

Settings

Display switch-off status

To save energy the display and sensor controls will go out after 10 minutes and the *Start/Stop* sensor will flash slowly. You can change this automatic switch-off function.

Options

- On (factory setting)
The display will go out (after 10 minutes):
 - if no programme selection is made after switching the dryer on
 - during the current programme
 - after the end of a programme.
- On (not current pr.)
The display will go out (as described above) but not while the current programme is running.
- Off
The display will remain on (i.e. it will never go out).

You can switch the display back on by touching any sensor.

Memory

The dryer saves the settings that were last selected for a drying programme (drying level and/or Extras, or the duration for some programmes).

The next time the programme is chosen the saved settings will appear in the display.

Options

- Off (factory setting)
- On

The activation of Delay start, the buzzer, or ECO feedback data are not saved.

Anti-crease

The duration of the Anti-crease phase can be altered.

Options

- 1 h
- 2 h (factory setting)

Programme info

Programme names and load quantities that light up in the display when the programme is selected with the programme selector can be switched off.

Options

- Off (Programme name and load size are not displayed)
- Programme name (The load size is not displayed)
- Prog. & max load (Both are displayed, factory setting)

Miele@home

Control the networking of your dryer with your home Wi-Fi network.

The following points may appear in the submenu:

- Set up

This message only appears if the dryer has not yet been connected to a Wi-Fi network.

Please refer to “Before using for the first time” for instructions on how to set up the connection.

- Deactivate (visible if Miele@home is activated)

Miele@home remains set up, the Wi-Fi function is switched off.

- Activate (visible if Miele@home is deactivated)

The Wi-Fi function is reactivated.

- Connection status (visible if Miele@home is activated)

The following values are displayed:

- the quality of Wi-Fi reception
- the network name
- the IP address
- Set up again (visible if set up)

Resets the Wi-Fi login (network) to immediately re-establish a new connection.

- Reset (visible if set up)
- The Wi-Fi is switched off.
- The Wi-Fi connection will be reset to the factory setting.

Miele@home is no longer set up. In order to use Miele@home again, a new connection must be established.

Settings

Remote control

The Remote control setting (available depending on country) is only visible if the Miele@home setting is set up and activated.

Once the Miele@mobile App has been installed on your mobile device, you can check the status of your dryer from anywhere and start it remotely. You can also control it remotely via the *MobileControl* programme.

You can switch off the Remote control setting if you do not want to operate the dryer with your mobile device.

If Remote control is not switched on, the app can cause the programme to be cancelled.

Use the Delay start sensor to set a time by when you want to start the dryer (see “Delay start/SmartStart”).

The dryer will then start within the specified timeframe when it receives your signal.

If it has not received a start signal by the latest start time set, the dryer will start automatically.

Remote control is activated as standard.

SmartGrid

The SmartGrid setting (available depending on country) is only visible if the Miele@home setting is set up and activated.

This function can be used for starting your dryer automatically at a time when energy rates are more economical.

Activating SmartGrid gives the *Delay start* sensor a new function. You can set the SmartGrid via the Delay start sensor. The dryer will then start within the timeframe specified when it receives a signal from the energy supplier. If it has not received a signal from the energy supplier by the latest start time set, the dryer will start automatically (see “Delay start/SmartStart”).

SmartGrid is deactivated as standard.

RemoteUpdate

The RemoteUpdate function is used for updating the software of your dryer.

The RemoteUpdate function is deactivated as standard.

If you do not install a RemoteUpdate, you can continue to use your dryer in the usual way. However, Miele recommends installing RemoteUpdates.

Activation

The RemoteUpdate menu option is only displayed and can only be selected if you have added your dryer to your Wi-Fi network (see “Settings - Miele@home”).

Miele’s RemoteUpdate function can only be used if the tumble dryer is connected to a Wi-Fi network and you have an account in the Miele@mobile App. The dryer must be registered in the app.

See the Miele@mobile App for terms and conditions of use.

Some software updates can only be carried out by Miele Service.

Running a RemoteUpdate

If a RemoteUpdate is available for your dryer, it will be displayed automatically for you.

You can choose to start the RemoteUpdate immediately or wait until later. If you select “Start later”, the prompt to run the RemoteUpdate will be displayed again the next time you switch on the dryer.

The RemoteUpdate can take several minutes.

Please note the following information about the RemoteUpdate function:

- You will only receive a message when a RemoteUpdate is available.
- Once a RemoteUpdate has been installed, it cannot be undone.
- Do not switch off the dryer during a RemoteUpdate. Otherwise, the RemoteUpdate will be aborted and will not be installed.

Miele Australia Pty. Ltd.

ACN 005 635 398
ABN 96 005 635 398

**Miele Experience Centre and
Head Office Melbourne:**

1 Gilbert Park Drive
Knoxfield, VIC 3180

Miele Experience Centre South Melbourne:

206-210 Coventry Street
South Melbourne, VIC 3205

Miele Experience Centre and Office Sydney:

3 Skyline Place
Frenchs Forest, NSW 2086

Miele Experience Centre and Office Brisbane:

Tenancy 4C, 63 Skyring Terrace
Newstead, QLD 4006

Miele Experience Centre Gold Coast:

131 Ferry Road
Southport, QLD 4215

Miele Experience Centre and Office Adelaide:

83-85 Sir Donald Bradman Drive
Hilton, SA 5033

Miele Experience Centre and Office Perth:

205-207 Stirling Highway
Claremont, WA 6010



www.miele.com.au

Miele New Zealand Limited

IRD 98 463 631

Head Office:

Level 2, 10 College Hill
Freemans Bay, Auckland 1011

**Miele Experience Centre
Auckland:**

8 College Hill
Freemans Bay, Auckland 1011
Telephone:
0800 464 353 (0800 4 MIELE)
www.miele.co.nz

Miele Global Headquarters

Germany

Miele & Cie. KG

Carl-Miele-Straße 29
33332 Gütersloh
Federal Republic of Germany

TCJ 690 WP

en-AU, NZ

M.-Nr. 11 015 660 / 00